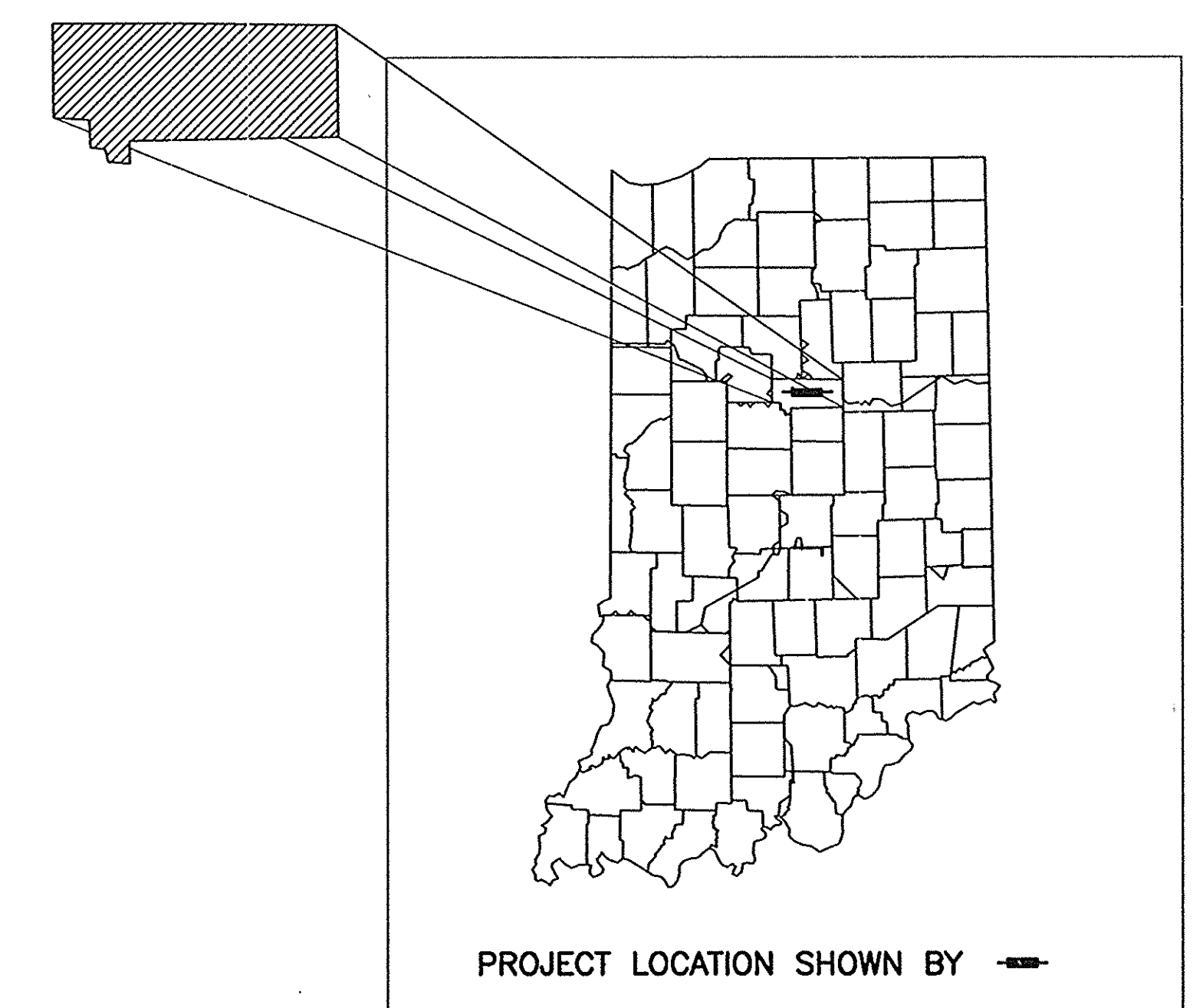


	MALFALFA ROAD INTERSECTION	DIXON ROAD INTERSECTION
TRAFFIC DATA		
A.A.D.T. (1997 PROJECTED)	9,981	14,900
A.A.D.T. (2017 PROJECTED)	14,600	21,600
D.H.V. (2017 PROJECTED)	438-1,314	648-1,944
DIRECTIONAL DISTRIBUTION	50/50	50/50
TRUCKS	3%	3%
DESIGN DATA		
DESIGN SPEED	70 K.P.H.	60 K.P.H.
PROJECT DESIGN CRITERIA	3R/4R (NON FREEWAY)	3R/4R (NON-FREEWAY)
FUNCTION CLASSIFICATION	URBAN MINOR ARTERIAL	URBAN MINOR ARTERIAL
RURAL/URBAN	URBAN	URBAN
TERRAIN	LEVEL	LEVEL
ACCESS CONTROL	NONE	NONE

INDIANA DEPARTMENT OF TRANSPORTATION

CODE NO. 3771 DES. NO. 8677420

STATE ROAD 22 RIGHT-OF-WAY PLANS

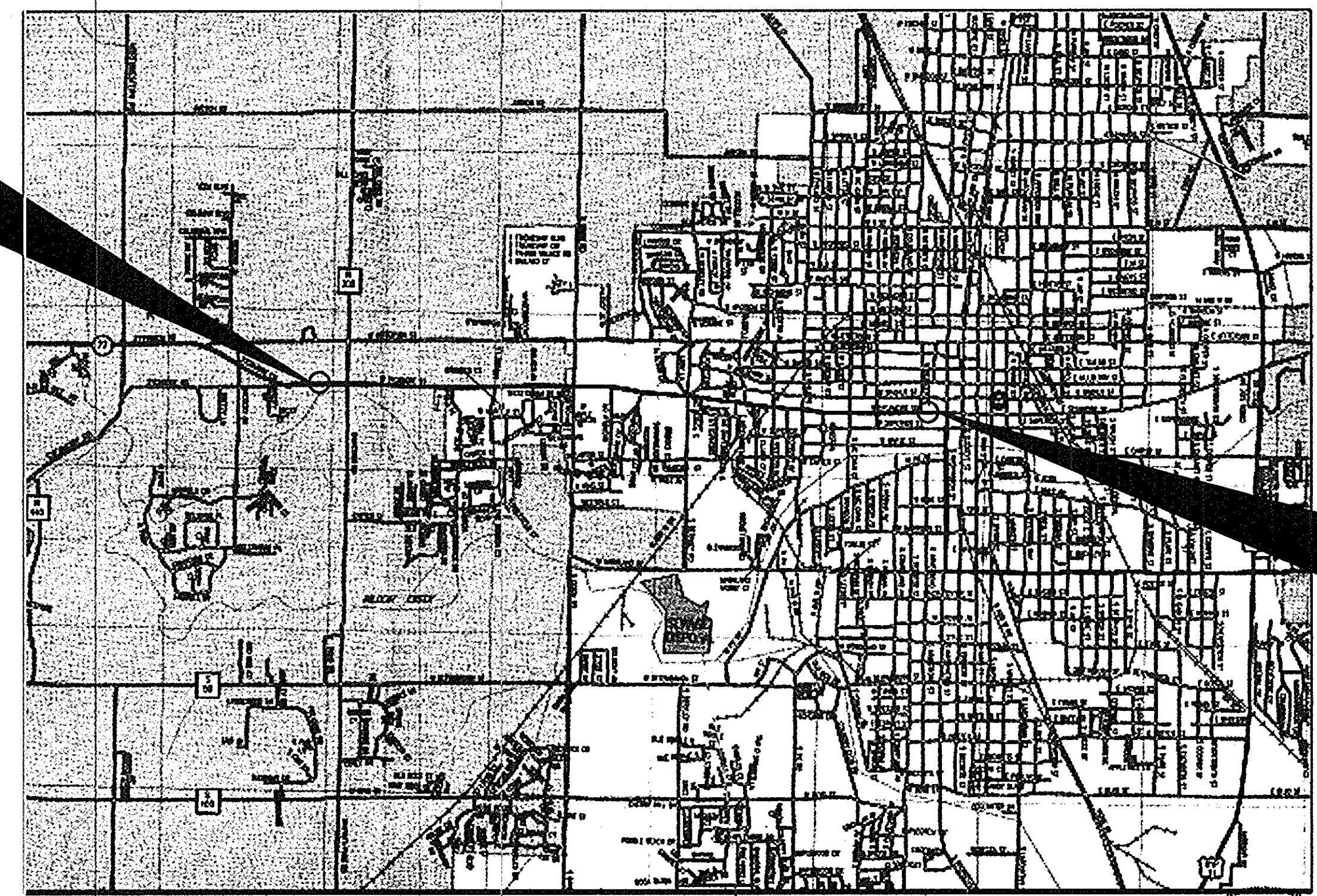


**PROJECT NO. ST-120-2 (007) PE
STP-120-2 (007) RW
STP-120-2 (007) CN**

PROJECT DESCRIPTION

BEGINNING AT A POINT 80.000 METERS WEST OF THE INTERSECTION OF MAFALFA ROAD AND S.R. 22 AND RUNNING IN A EASTERLY DIRECTION ALONG THE CENTERLINE OF S.R. 22 A DISTANCE OF 4,275 METERS AND ENDING AT A POINT SOME 948.751 METERS EAST OF THE INTERSECTION OF PHILLIPS STREET AND S.R. 22. SAID PROJECT ALL LOCATED IN THE NORTH HALF OF SECTIONS 33, 34, 35 AND 36 AND ALL IN T.23N., R.3E., CENTER TOWNSHIP, HOWARD COUNTY, INDIANA.

LENGTH: 4.275km



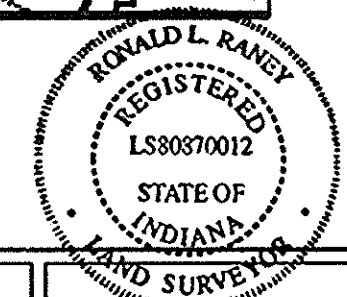
BURGESS & NIPLÉ LIMITED
210 N. ILLINOIS ST. SUITE 2250
PHONE: (317) 237-2760
FAX: (317) 237-2755

INDIANA DEPARTMENT OF TRANSPORTATION
STANDARD SPECIFICATIONS DATED 1999
TO BE USED WITH THESE PLANS.

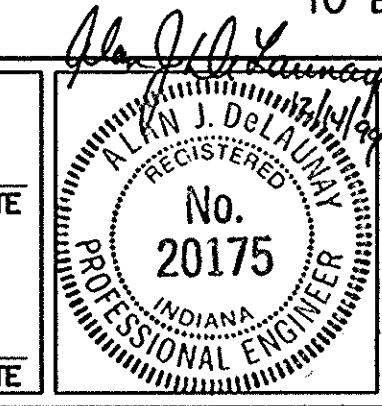
P:\PRJ\351\CADD\RW\RWITL.DWG 12-9-99 11:02:25 am BLACK

PLANS PREPARED BY
BURGESS & NIPLÉ
ENGINEERS
ARCHITECTS

FEDERAL HIGHWAY ADMINISTRATION
U.S. DEPT. OF TRANSPORTATION
APPROVED: _____ DATE _____
DIVISION ADMINISTRATOR



APPROVED: _____ DATE _____
CHIEF, DIVISION OF LAND ACQUISITION
RECOMMENDED FOR APPROVAL: *Ronald L. Roney* 11/26/06
MANAGER R/W ENGINEERING, SECTION DATE



BRIDGE FILE	
DESIGNATION	8677420
SURVEY BOOK	SHEETS
ELECTRONIC	1 of 80
CONTRACT	PROJECT
	STP-120-2(007)

FEDERAL ROAD DISTRICT NO.	STATE	PROJECT NO.	FISCAL YR.	SHEET NO.	TOTAL SHEETS
5	IND	STP-120-2(007)	2000	2	80

DRAWING INDEX	
SHEET NO.	SHEET DESIGNATION
1	TITLE SHEET
2	INDEX / GENERAL NOTES
3-10	LOCATION CONTROL ROUTE SURVEY PLAT
11-16	PLAT ONE
17-25	TYPICAL SECTIONS
26-42	PLAN AND PROFILE
43-73	CONSTRUCTION DETAILS
74-80	APPROACH TABLES

GENERAL NOTES	
1	TYPICAL CROSS-SECTIONS AS SHOWN ON SHEETS 3 THROUGH 9 TO BE USED ON THIS PROJECT.
2	ALL DITCHES OF 1% GRADE AND OVER SHALL BE SODDED EXCEPT WHERE DITCH IS IN ROCK CUT OR WHERE PAVED SIDE DITCH IS TO BE CONSTRUCTED.
3	SODDING SHALL BE PLACED AS SHOWN ON STANDARD AND TYPICAL CROSS-SECTIONS AND ON MISCELLANEOUS DETAIL SHEET 607-PSDT-06
4	ALL EARTH SHOULDER, CUT OR FILL SLOPES SHALL BE PLAIN OR MULCHED SEEDED EXCEPT WHERE SODDING IS SPECIFIED.
5	OVERHAUL AND ADDED HAUL QUANTITIES AS SHOWN IN THE BALANCES ARE FOR INFORMATION ONLY.
6	EXCAVATION QUANTITIES AS SHOWN INCLUDE ESTIMATED EXCAVATION FOR PUBLIC AND PRIVATE APPROACHES SEE TABLE SHEET NO. XX.
7	THE FINAL CROSS-SECTIONS OF THE "GRADING CONTRACT" SHALL BE THE ORIGINAL CROSS-SECTIONS OF THE "PAVING CONTRACT" EXCEPT THAT PARTIAL OR COMPLETE CROSS-SECTIONS SHALL BE TAKEN IF NECESSARY TO DETERMINE THE ACTUAL QUANTITIES OF EXCAVATION.
8	PREFORMED JOINT MATERIAL WILL NOT BE PAID FOR DIRECTLY BUT WILL BE INCLUDED IN THE COST OF RELATED ITEMS.
9	PAPER RELOCATION IS TO BE CROSS-SECTIONED BY THE PROJECT ENGINEER BEFORE CONSTRUCTION.
10	FOR KINDS OF PIPE PERMITTED FOR EACH SIZE AND CLASSIFICATION AS SHOWN ON THE STRUCTURE DATA SHEET, SEE MISCELLANEOUS STANDARD SHEETS 715-PSSS-01
11	SUCH PART OF EXISTING DOWNSPOUT DRAINS THAT ARE DISTURBED EITHER BY ADDING OR REPLACING THE CURB, SHALL BE REPLACED AND CONNECTED AS DIRECTED BY THE ENGINEER. PAYMENT FOR THIS WORK SHALL BE INCLUDED IN THE CONTRACT UNIT PRICE FOR COMBINED CURB AND GUTTER.
12	THE CONTRACTOR MUST ACCEPT THE PLAN QUANTITIES OF SUBBASE AS GIVEN ON THE ESTIMATE ON OF QUANTITIES SHEET SUBJECT TO THE CONDITIONS SET OUT IN 304.07 OF THE STANDARD SPECIFICATIONS.
13	THE MINIMUM GRADE FOR UNDERDRAINS SHALL BE 0.20%. WHERE THE PROFILE GRADE IS LESS THAN 0.20% SPECIAL GRADES FOR UNDERDRAINS SHALL BE ESTABLISHED BY THE ENGINEER.
14	PRIOR TO EXTENDING EXISTING PIPE STRUCTURES, HEADWALL IN PLACE ON EXTENDED END SHALL BE REMOVED.
15	UNLESS OTHERWISE NOTED THE CONTRACTOR SHALL HAVE THE OPTION OF USING EITHER HOT ASPHALTIC CONCRETE (H.A.C.) OR HOT ASPHALTIC EMULSION (H.A.E.) ON ALL BITUMINOUS ITEMS
16	ALL BREAK AWAY SIGNS SUPPORTS SHALL HAVE A MAXIMUM PROJECTION OF 0.100 m AS STATED IN THE CLEAR ZONE POLICY.
17	EXISTING PANEL SIGNS WHICH REQUIRE RESETTING SHALL BE RESET IN ACCORDANCE WITH MISCELLANEOUS STANDARD SHEET "MT-1" AND "MT-1A" ALL COMPENSATION FOR THIS WORK TO BE INCLUDED IN THE "CONCRETE FOR BREAK AWAY POST" AND "STRUCTURAL STEEL BREAK AWAY" PAY ITEMS
18	ALL EXISTING PIPES, INLETS MANHOLES OR CATCH BASINS SHOWING EVIDENCE OF DRAINING INADEQUATELY (AS DETERMINED BY THE ENGINEER) SHALL BE CLEANED AS DIRECTED. THE COST OF WHICH SHALL BE INCLUDED IN THE COST OF ALL OTHER PAY ITEMS.
19	TWO WAY TRAFFIC SHALL BE MAINTAINED AT ALL TIMES AS SHOWN ON THE MAINTENANCE OF TRAFFIC PLANS.
20	ACCESS TO INDIVIDUAL PROPERTIES SHALL BE MAINTAINED WHEN POSSIBLE. DISRUPTION OF ACCESS SHALL BE KEPT AT A MINIMUM.
21	SIDE SLOPES SHALL BE 4 : 1 UNLESS SHOWN DIFFERENTLY ON THE CROSS-SECTIONS.
22	SIDEWALK ELEVATIONS SHALL BE AS SHOWN ON THE TYPICAL SECTIONS UNLESS SHOWN DIFFERENTLY ON THE CROSS SECTIONS.
23	ACCESS TO ALL BUSINESS AND RESIDENTIAL PROPERTIES SHALL BE MAINTAINED AT ALL TIMES.

UTILITIES	
<p>ELECTRIC: PSI ENERGY 1619 W. DEFENBAUGH P.O. BOX 3039 KOKOMO, IN 46902</p> <p>WATER: INDIANA-AMERICAN WATER CO. INC. 1700 E. SUPERIOR ST. KOKOMO, IN 46902</p> <p>CABLE TELECABLE OF INDIANA P.O. BOX 2246 KOKOMO, IN 46902</p> <p>HIGH PRESSURE PRODUCTS COUNTRYMARK COOP 812-838-2246</p>	<p>GAS: KOKOMO GAS AND FUEL CO. 900 E. SUPERIOR ST. KOKOMO, IN 46902</p> <p>TELEPHONE: AMERITECH CORP. 308 E. MAIN ST. CRAWFORDSVILLE, IN 47933</p> <p>STORM & SANITARY CITY OF KOKOMO ENGINEERS OFFICE 100 S. UNION ST. KOKOMO, IN 46902</p>

REVISIONS		
NO.	DATE	DESCRIPTION
30464	4-18-01	ADDED DO NOT DISTURB NOTE ON PAR. 193
33257	6-5-01	DUE TO DESIGN CHANGE PAR. 100
15,35,43,23	6-21-01	DUE TO DESIGN CHANGE PARCEL 251
11,37,66	7-2-01	DUE TO ADDITION OF TEMP. RLW SEE 7-13-01
11,37,66	9-12-01	DUE TO DESIGN CHANGE PAR. 226
11,37,66	9-12-01	PAR 261 NEW PARCEL
13,31,49	1-05-05	REVISIONS TO PARCEL 66

P:\PR21351\CADD\RW\RWINDEX.DWG 12-10-99 9:00:22 am WEAVER



RECOMMENDED FOR APPROVAL	<i>Alan J. Delaney</i> 12/14/99
DESIGNED:	MAT
CHECKED:	AJD
DRAWN:	DWD
CHECKED:	AJD

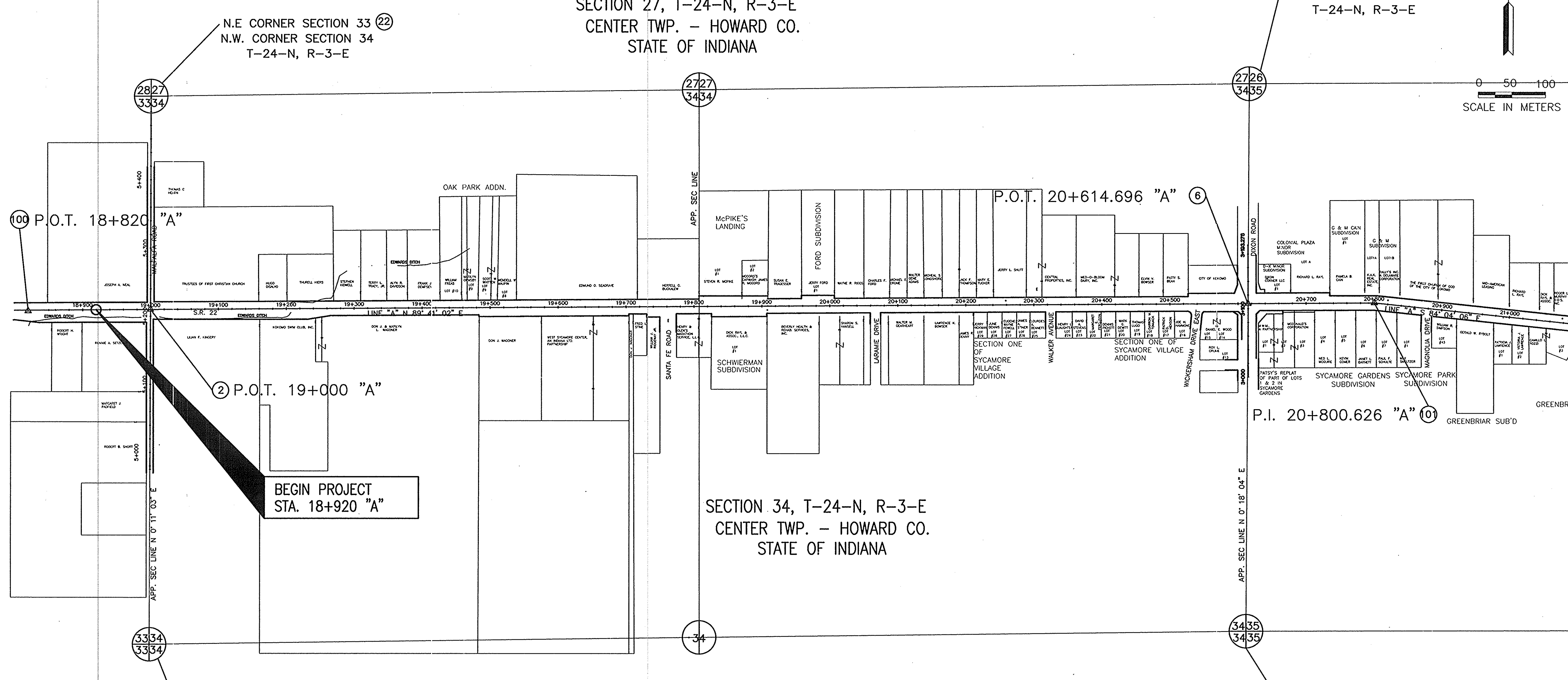
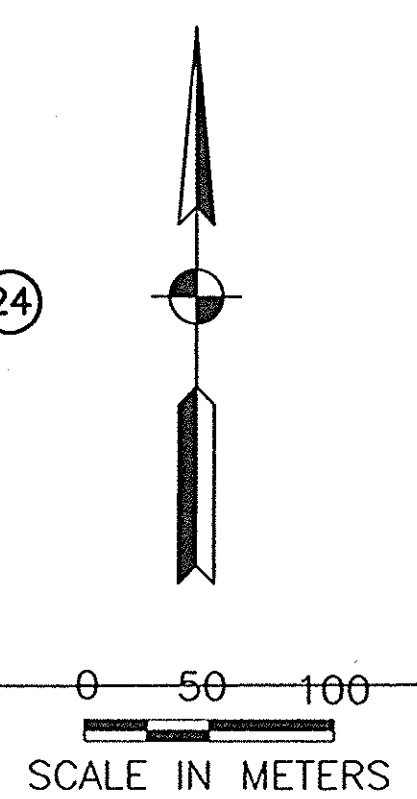
INDIANA DEPARTMENT OF TRANSPORTATION	
INDEX SHEET	

HORIZONTAL SCALE	BRIDGE FILE
VERTICAL SCALE	DESIGNATION
	8677420
SURVEY BOOK	SHEETS
	2 of 80
CONTRACT	PROJECT
	STP-120-2(007)

AMENDED LOCATION CONTROL ROUTE SURVEY PLAT

SECTION 27, T-24-N, R-3-E
CENTER TWP. - HOWARD CO.
STATE OF INDIANA

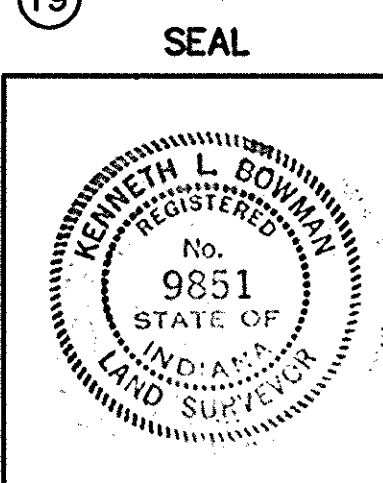
N.E. CORNER SECTION 34 (24)
N.W. CORNER SECTION 35
T-24-N, R-3-E



BEGIN PROJECT
STA. 18+920 "A"

SECTION 34, T-24-N, R-3-E
CENTER TWP. - HOWARD CO.
STATE OF INDIANA

EAST 1/4 CORNER SECTION 34 (19)
WEST 1/4 CORNER SECTION 35
T-24-N, R-3-E



Kenneth L. Downum

HOWARD COUNTY RECORDER
00 MAR 30 AM 10:57
HARLEYN J. SHIRLEY

P:\PR21351\CADD\RW\LOCPLAT.DWG 3-29-00 8:23:07 am DIX
FILED
MAR 30 2000
Marka J. Lake
Auditor, Howard County, Indiana

#100 CENTER GULL SYSTEMS MARK N.W. COR SECTION 34 SYCAMORE N-999.0270 E-1000.0000	#2 PK SET TOP OF S.D.C. LINE "A" SYCAMORE N-1000.0000 E-1000.0000	#6 PK SET TOP OF S.D.C. LINE "A" SYCAMORE N-1000.9100 E-2814.8710	#101 PK SET TOP OF S.D.C. LINE "A" SYCAMORE N-1000.9100 E-2814.8710	#22 PK SET TOP OF S.D.C. LINE "A" SYCAMORE N-1312.5009 E-1000.7540
STA. 18+820 BEG. LINE "A"	STA. 19+000 LINE "A"	STA. 20+614.696 LINE "A"	P.I. 20+801.626 LINE "A"	ASSUMED N.W. COR SEC. 34

INDIANA DEPARTMENT OF TRANSPORTATION LOCATION CONTROL ROUTE SURVEY PLAT		REVISED DATE 8/12/98 11/22/99 3/24/00	STA. NO.	DESCRIPTION SURVEYORS REPORT AMENDED REVISED PLAT AND REPORTS, ADDED PROPERTY OWNERS. REVISED USPLS CORNERS AND SURVEYORS REPORT	INITIAL KLB DEL DEL	PROJECT STP-120-2(007)	L.A. CODE
		DESIGNATION 8677420		SHEETS 1 of 8			

FEDERAL ROAD REGION NO.	STATE	PROJECT NO.	FISCAL YR.	SHEET NO.	TOTAL SHEETS
5	IND	STP-120-2(007)	2000		

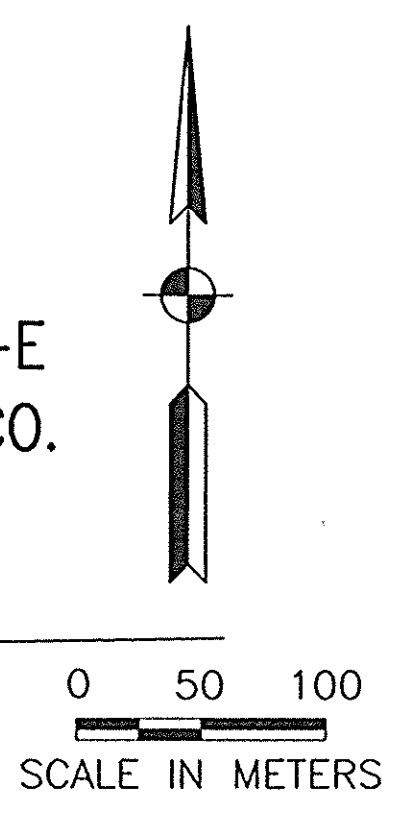
AMENDED LOCATION CONTROL ROUTE SURVEY PLAT

N.E. CORNER SECTION 34 (24)
N.W. CORNER SECTION 35
T-24-N, R-3-E

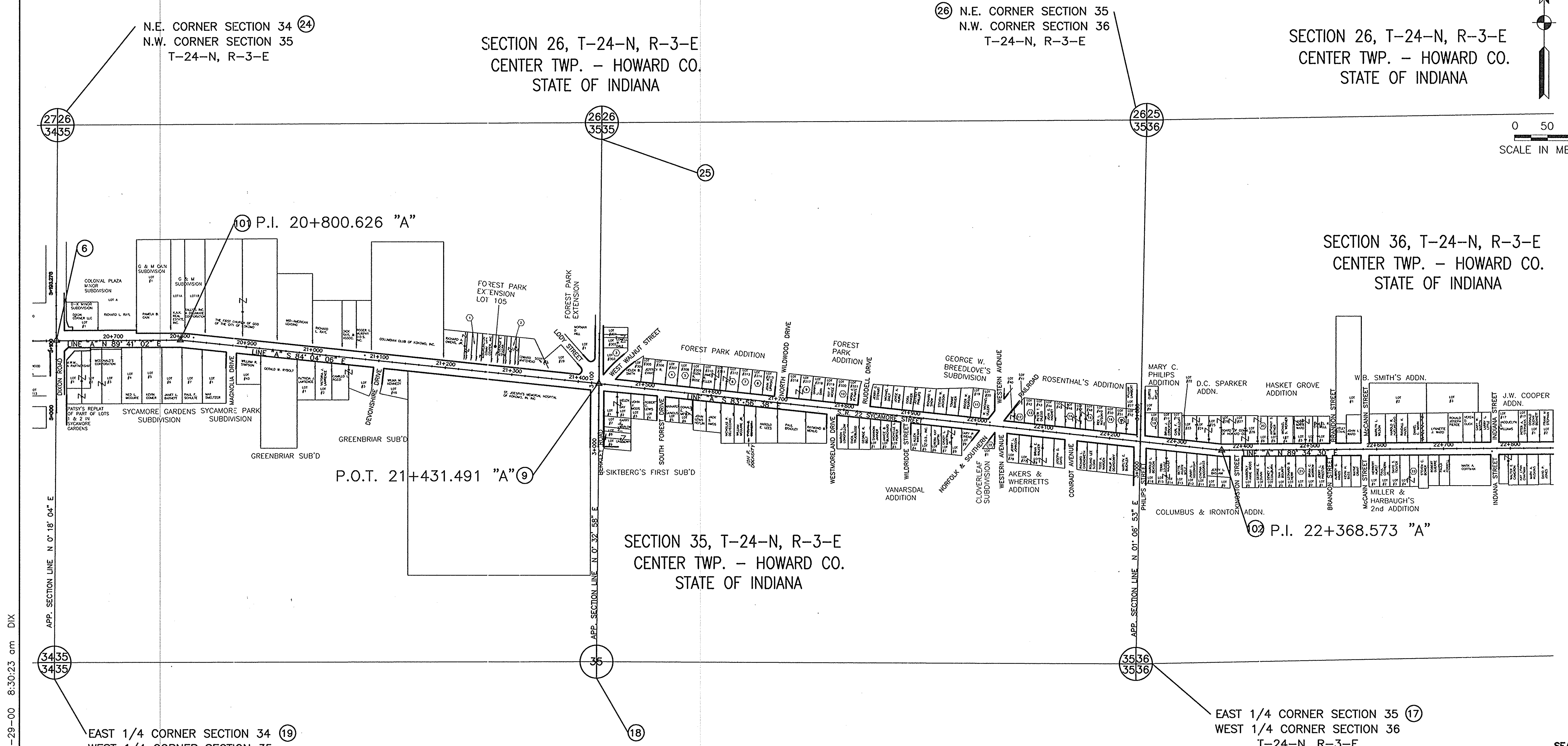
SECTION 26, T-24-N, R-3-E
CENTER TWP. - HOWARD CO.
STATE OF INDIANA

(26) N.E. CORNER SECTION 35
N.W. CORNER SECTION 36
T-24-N, R-3-E

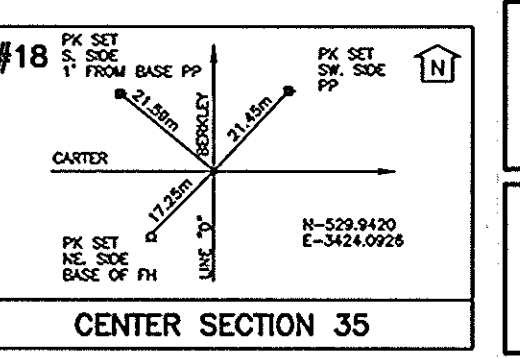
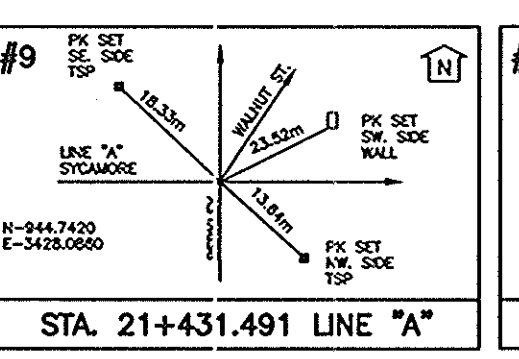
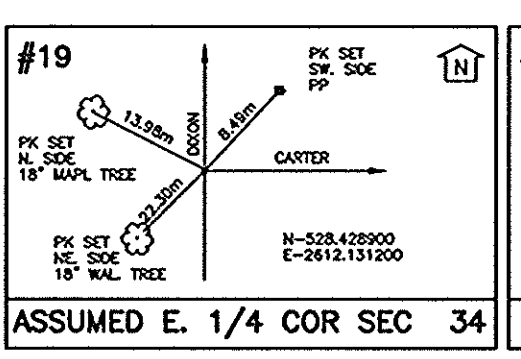
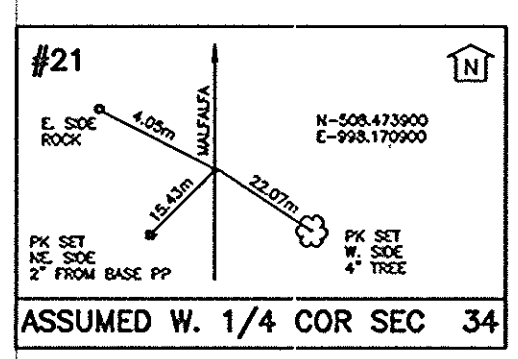
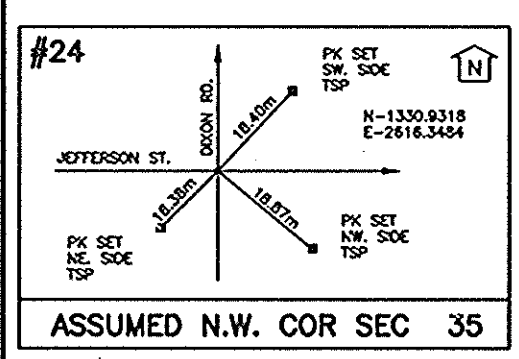
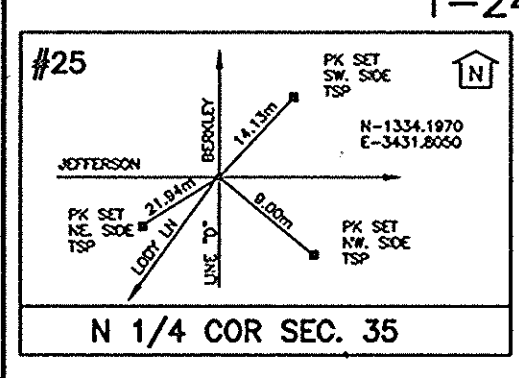
SECTION 26, T-24-N, R-3-E
CENTER TWP. - HOWARD CO.
STATE OF INDIANA



HOWARD COUNTY RECORDER
COMAR 30 AM10:57
MARILYN J. SHIRLEY
0034005406



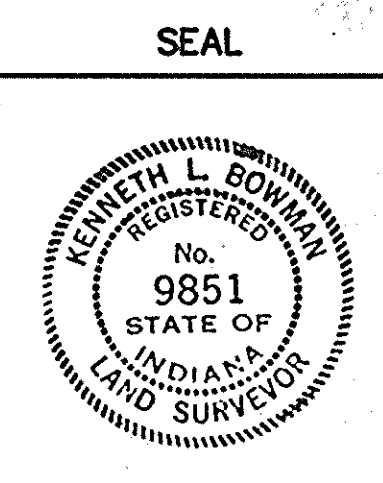
P:\PR21351\CADD\RW\LOCPLAT2.DWG 3-29-00 8:30:23 am DIX



INDIANA
DEPARTMENT OF TRANSPORTATION
LOCATION CONTROL
ROUTE SURVEY PLAT

REVISED DATE	STA. NO.	DESCRIPTION	INITIAL
8/12/98		SURVEYORS REPORT AMENDED	KLB
11/22/99		REVISED PLAT AND REPORTS, ADDED PROPERTY OWNERS	DEL
3/24/00		REVISED USPLS CORNERS AND SURVEYORS REPORT	DEL

PROJECT ST-120-2(007)	L.A. CODE
DESIGNATION 8677420	SHEETS 2 of 8
CONTRACT	

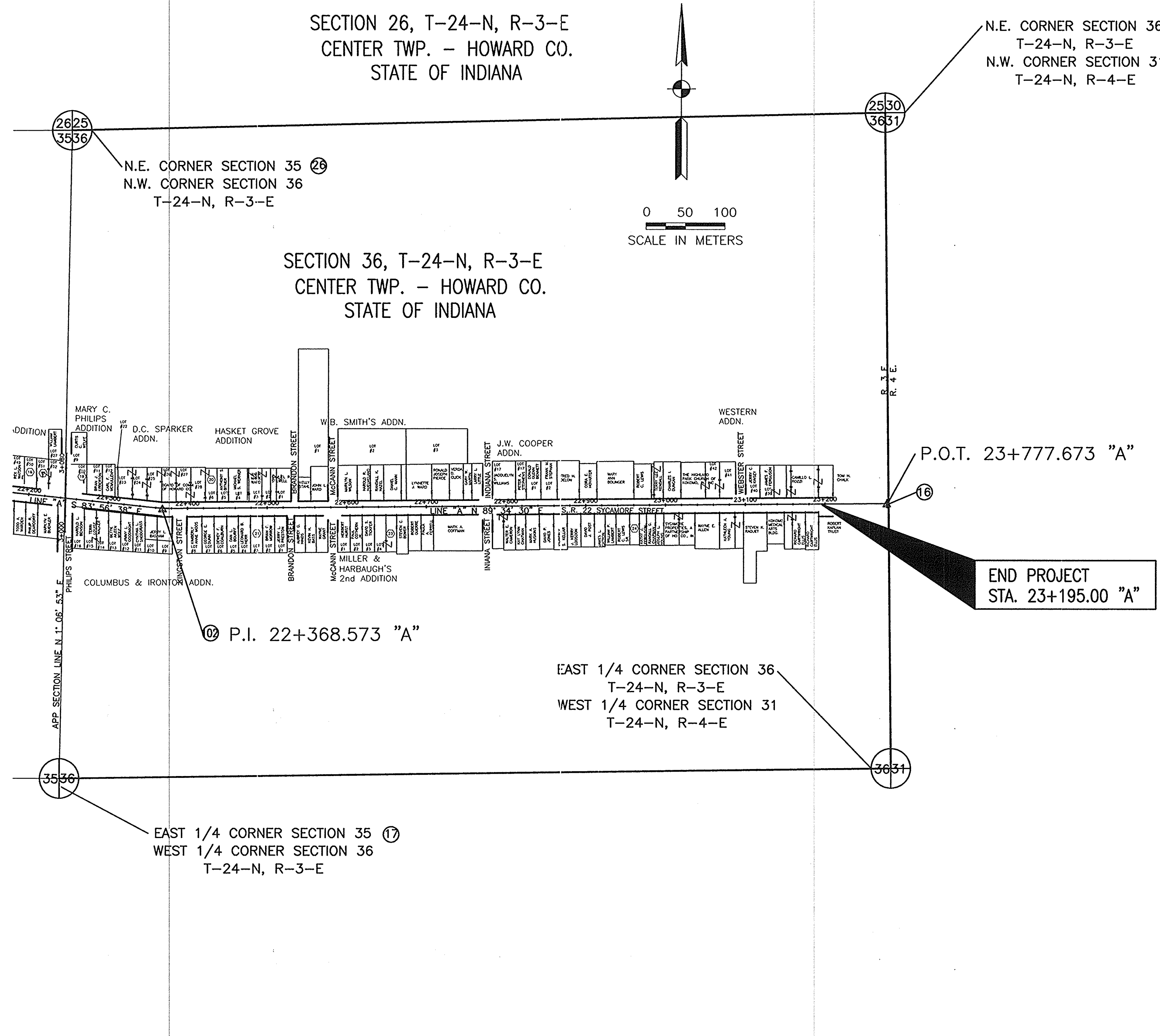
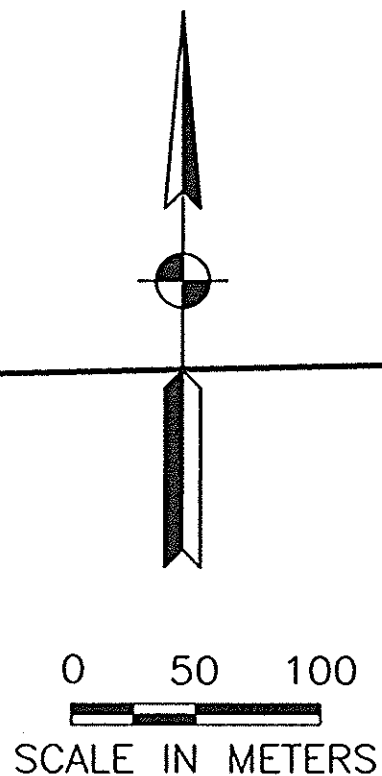


Kenneth L. Bowman

AMENDED LOCATION CONTROL ROUTE SURVEY PLAT

SECTION 26, T-24-N, R-3-E
CENTER TWP. - HOWARD CO.
STATE OF INDIANA

SECTION 36, T-24-N, R-3-E
CENTER TWP. - HOWARD CO.
STATE OF INDIANA



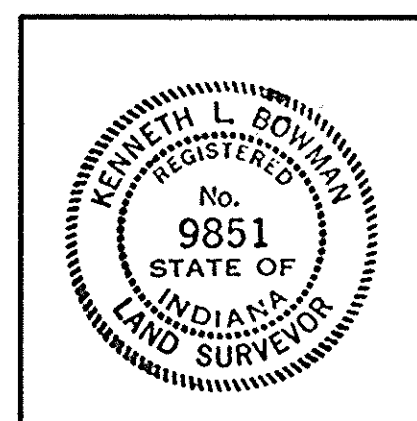
N.E. CORNER SECTION 36
T-24-N, R-3-E
N.W. CORNER SECTION 31
T-24-N, R-4-E

AMENDED SURVEYORS REPORT
FOR
ROUTE SURVEY - INDOT PROJECT NO. ST-120-2 (007)
DES # 8677420 DATE: DECEMBER 8, 1999

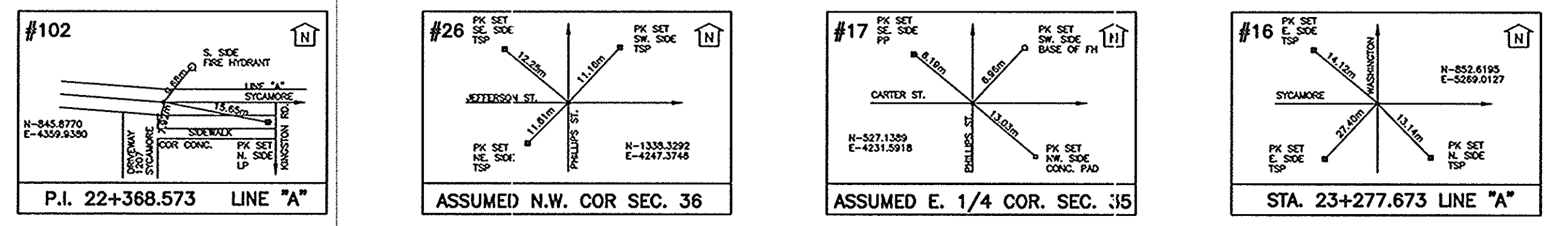
- GENERAL:
- FIELD MEASUREMENTS FOR THIS SURVEY WERE MADE IN ACCORDANCE WITH SPECIFICATIONS OUTLINED IN THE PROVISIONS OF 865 I.A.C. 1-12-20. MEASUREMENTS ARE SHOWN HEREIN TO THE NEAREST MILLIMETER, NOT TO INDICATE THE PRECISION OF THE WORK, BUT TO ALLOW FOR CLOSURE AND ADJUSTMENTS BY OTHERS IF DESIRED
 - ALL MONUMENT REFERENCE TIES ARE SHOWN ON THE ROUTE SURVEY PLAT. SHOULD ADDITIONAL USPLS CORNERS BE NEEDED WHERE NONE WERE FOUND, THEY SHOULD BE REESTABLISHED AND TIED INTO THIS SURVEY
 - ITEM NUMBERS REFER TO MONUMENT NUMBERS SHOWN ON THE ROUTE SURVEY PLAT.
 - ALIGNMENT FOR LINE "A" WAS ESTABLISHED BY USING EXISTING MONUMENTATION LOCATED IN THE INTERSECTIONS OF SYCAMORE ST. (S.R.22) AND MALFALFA RD. (C.R. 300 WEST) AND SYCAMORE ST. (S.R.22) AND DIXON RD. (C.R.200 WEST), SAID LINE WAS EXTENDED FROM THESE MONUMENTS EAST AND WEST TO ESTABLISH THE BEGINNING OF LINE "A" AND THE POINT OF INTERSECTION FOUND AT STA. 20+800.627. THIS POINT OF INTERSECTION WAS CREATED BY CENTERING ON THE EXISTING PAVEMENT OF SYCAMORE ST., AND EXTENDING TO A MONUMENT FOUND IN THE INTERSECTION OF BERKLEY RD. AND SYCAMORE ST. (S.R.22) A LINE FROM THIS MONUMENT TO A POINT OF INTERSECTION CREATED BY CENTERING ON THE BACK OF EXISTING CURBS OF SYCAMORE ST. (S.R.22) STA. 22+368.573. SAID LINE TERMINATING TO A MONUMENT FOUND IN THE INTERSECTION OF SYCAMORE ST. (S.R.22) AND WASHINGTON ST.
 - ALL MONUMENTATION MEASUREMENTS LISTED BELOW ARE BASED ON GPS OBSERVATIONS. THE GPS ESTABLISHED COORDINATE SYSTEM WAS ADJUSTED TO N 1000,000, E 1000,000 USING POINT #2 AS THE BASE POINT. THE BEARING SYSTEM IS BASED FROM THE GPS OBSERVATIONS
- 16 FOUND A 3/4" REBAR .152m BELOW THE PAVEMENT AT THE CENTER OF THE INTERSECTION OF BERKLEY STREET AND JEFFERSON ROAD. NORTH 1/4 CORNER OF SECTION 35, T24N, R3E. FOUND BY USING COUNTY SURVEYORS SECTION CORNER TIES. THE UNCERTAINTY OF THIS CORNER IS CONSIDERED TO BE NEGLIGIBLE.
 - 21 FOUND A RAILROAD SPIKE FLUSH WITH PAVEMENT .450m WEST OF CENTERLINE OF MALFALFA RD. NO COUNTY SURVEYORS SECTION CORNER TIES AVAILABLE. FOUND RAILROAD SPIKE ASSUMED TO BE THE WEST 1/4 CORNER OF SECTION 34, T24N, R3E. THE UNCERTAINTY OF THIS CORNER IS CONSIDERED TO BE PLUS OR MINUS 1.0 METERS.
 - 19 FOUND AN ALUMINUM MONUMENT .0635m BELOW PAVEMENT AT THE INTERSECTION OF CARTER ST. AND DIXON RD. THE EAST 1/4 CORNER OF SECTION 34, T24N, R3E. FOUND BY USING COUNTY SURVEYORS SECTION CORNER TIES. THE UNCERTAINTY OF THIS CORNER IS CONSIDERED TO BE NEGLIGIBLE.
 - 9 FOUND AN ALUMINUM MONUMENT .05m BELOW PAVEMENT AT THE INTERSECTION OF BERKLEY RD. AND SYCAMORE ST. (S.R.22). SAID ALUMINUM MONUMENT IS ASSUMED TO BE A CENTERLINE MONUMENT FOR S.R. 22. PER INFORMATION SUPPLIED BY THE OFFICE OF THE ENGINEER FOR THE CITY OF KOKOMO. THE UNCERTAINTY OF THE CORNER IS CONSIDERED TO BE NEGLIGIBLE.
 - 102 SET BOAT SPIKE FLUSH AT A POINT OF INTERSECTION OF LINE "A". ORIGINAL MONUMENT, THEREFORE THERE IS NO UNCERTAINTY.
 - 26 FOUND A RAILROAD SPIKE FLUSH WITH PAVEMENT AT THE INTERSECTION OF JEFFERSON RD. AND PHILLIPS ST. COUNTY SURVEYORS SECTION CORNER TIES CALL FOR MONUMENT PLACED IN CONCRETE. FOUND RAILROAD SPIKE ASSUMED TO BE THE NE CORNER SECTION 35, T24N, R3E. THE UNCERTAINTY OF THIS POINT IS CONSIDERED TO BE PLUS OR MINUS 1.0 METERS.
 - 17 FOUND A MAG NAIL FLUSH IN PAVEMENT AT THE INTERSECTION OF CARTER ST. AND PHILLIPS ST. NO COUNTY SURVEYORS TIES WERE AVAILABLE. FOUND MAG NAIL ASSUMED TO BE THE EAST 1/4 CORNER OF SECTION 35, T24N, R3E. THE UNCERTAINTY OF THIS POINT IS CONSIDERED TO BE PLUS OR MINUS 1.0 METER.
 - 16 FOUND A RAILROAD SPIKE FLUSH WITH PAVEMENT AT THE INTERSECTION OF WASHINGTON ST. AND SYCAMORE ST. (S.R.22) POINT LOCATED USING INFORMATION SUPPLIED BY THE OFFICE OF THE ENGINEER FOR THE CITY OF KOKOMO. THE UNCERTAINTY OF THIS POINT IS CONSIDERED TO BE NEGLIGIBLE.
 - 6 FOUND 16MM REBAR WITH ALUMINUM CAP STAMPED "SURVEY MARKER" 0.1m BELOW PAVEMENT. AT THE INTERSECTION OF DIXON RD. AND SYCAMORE ST. (S.R.22). COUNTY SURVEYORS SECTION CORNER TIES CALL FOR A PK NAIL FOUND 1980 MONUMENT PLACED. FOUND REBAR WITH CAP IS ASSUMED TO BE A 1/4-1/4 CORNER OF SECTION 35, T24N, R3E, AND A CENTERLINE MONUMENT FOR S.R. 22. PER INFORMATION SUPPLIED BY THE OFFICE OF THE ENGINEER FOR THE CITY OF KOKOMO. THE UNCERTAINTY OF THIS POINT IS CONSIDERED TO BE PLUS OR MINUS 1.0 METERS.
 - 10 SET BOAT SPIKE FLUSH AT A POINT OF INTERSECTION OF LINE "A". ORIGINAL MONUMENT, THEREFORE THERE IS NO UNCERTAINTY.
 - 22 FOUND A RAILROAD SPIKE FLUSH WITH PAVEMENT AT THE INTERSECTION OF MALFALFA RD. AND CO. RD 100 N. NO COUNTY SURVEYORS SECTION CORNER TIES WERE AVAILABLE. FOUND RAILROAD SPIKE ASSUMED TO BE THE NW CORNER OF SECTION 34, T24N, R3E. THE UNCERTAINTY OF THIS POINT IS CONSIDERED TO BE PLUS OR MINUS 1.0 METERS.
 - 24 FOUND A PK NAIL FLUSH IN CONCRETE AT THE INTERSECTION OF DIXON RD. AND JEFFERSON ST. COUNTY SURVEYORS SECTION CORNER TIES CALL FOR A MONUMENT PLACED. FOUND PK NAIL ASSUMED TO BE THE NE CORNER OF SECTION 34, T24N, R3E. THE UNCERTAINTY OF THIS POINT IS CONSIDERED TO BE PLUS OR MINUS 1.0 METERS.
 - 20 FOUND A PK NAIL FLUSH IN ASPHALT .610m SOUTH OF THE NORTH EDGE OF PAVEMENT ON CARTER STREET, AND 30.48m WEST OF THE CENTERLINE OF SANTA FE STREET. CORNER FOUND USING INFORMATION SUPPLIED BY THE OFFICE OF THE ENGINEER FOR THE CITY OF KOKOMO. THE UNCERTAINTY OF THIS CORNER IS CONSIDERED TO BE NEGLIGIBLE
 - 23 FOUND 1/2" REBAR SET FLUSH IN ASPHALT AT THE CENTERLINE OF JEFFERSON STREET. NEXT TO DRIVEWAY FOR 3020 W. JEFFERSON STREET. CORNER FOUND USING INFORMATION SUPPLIED BY THE OFFICE OF THE ENGINEER FOR THE CITY OF KOKOMO. THE UNCERTAINTY OF THIS CORNER IS CONSIDERED TO BE NEGLIGIBLE
 - 18 FOUND ALUMINUM MONUMENT FLUSH IN CONCRETE AT THE CENTER OF THE INTERSECTION OF BERKLEY AND CARTER STREET. CENTER 1/4 CORNER OF SECTION 35, T24N, R3E. FOUND USING COUNTY SURVEYORS SECTION CORNER TIES. THE UNCERTAINTY OF THIS CORNER IS CONSIDERED TO BE NEGLIGIBLE

FIELD SURVEYOR STATEMENT
THIS SURVEY, TO THE BEST OF MY KNOWLEDGE AND BELIEF, IS EXECUTED ACCORDING TO THE PROVISIONS OF 865 I.A.C. 1-12-20 ET. SEQ. REGARDING ROUTE SURVEYS, EXCEPT THAT ANY DATA SHOWN REGARDING THE LOCATION OR DESCRIPTION OF ANY NEW PARCELS TO BE ACQUIRED OR THE EXISTING PARCELS IS NOT A PART OF THIS SURVEY

KENNETH L. BOWMAN DATE 3/24/00
SEAL



HOWARD COUNTY RECORDER
 00 MAR 00 AM 10:58
 MARILYN J. SHIRLEY
 0034005406
 P:\PR21351\CADD\RW\LOCPLAT3.DWG 3-29-00 8:39:49 am DIX



INDIANA
DEPARTMENT OF TRANSPORTATION
LOCATION CONTROL
ROUTE SURVEY PLAT

REVISED DATE	STA NO.	DESCRIPTION	INITIAL
8/12/98		SURVEYORS REPORT AMENDED	KLB
11/22/99		REVISED PLAT AND REPORT, ADDED PROPERTY OWNERS	DEL
3/24/00		REVISED USPLS CORNERS AND SURVEYORS REPORT	DEL

PROJECT STP-120-2 (007)	L.A. CODE
DESIGNATION 8677420	SHEETS 3 of 8
CONTRACT	

HOWARD COUNTY RECORDER
MAR 30 AM 10:58
MARILYN J. SHIRLEY

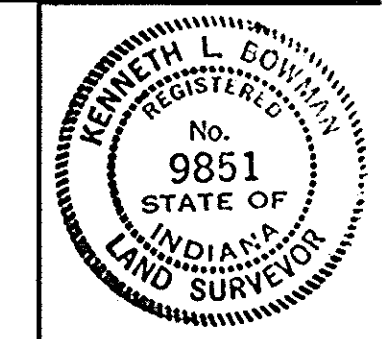
0034005406

P:\PR21351\CADD\RW\PRPLIST1.DWG 3-29-00 10:40:44 am DIX

PROPERTY I.D. NUMBER	PARCEL I.D. NUMBERS	PROPERTY OWNER(S)	TAX-PAYER ADDRESS	DEED BOOK	PAGE #
1	CE-145B-6	NEAL, JOSEPH A. & LENA MAE	3929 E. ST. RD. 38	240	3836
	C-32-2A-1		FRANKFORT, IN 46041-8672	240	3837
2	CE-146A-32	TRUSTEES OF FIRST CHRISTIAN CHURCH	854 N. 300 W.	237	544
	C-33-11A		KOKOMO, IN 46901		
3	CE-146A-31	DISALVO, HUGO & PATRICIA	3530 W. SYCAMORE RD.	227	1168
	C-33-11B		KOKOMO, IN 46901		
4	CE-146A-30	HIERS, THURELL H. & ROSEANNA	3520 W. SYCAMORE RD.	234	403
	C-33-11C		KOKOMO, IN 46901		
5	CE-146A-29	KIDWELL, STEPHEN W. & RHONDA L.	3430 W. SYCAMORE RD.	257	2413
	C-33-32		KOKOMO, IN 46901		
6	CE-146A-28	TRACY, TERRY L. JR. & KIMBERLY S.	3410 W. SYCAMORE RD.	259	3012
	C-33-33		KOKOMO, IN 46901		
7	CE-146A-27	DAVIDSON, ALYN R.; DAVIDSON, B.R. JR.;	3400 W. SYCAMORE ST.	262	720
	C-33-34B	DAVIDSON, BARBARA A.	KOKOMO, IN 46901		
8	CE-146A-26	DEMPSEY, FRANK J. & VIRGINIA M.	3330 W. SYCAMORE ST.	240	3071
	C-33-34A		KOKOMO, IN 46901		
9	CE-146A-25	FREAS, WILLIAM & MONZELL	3320 W. SYCAMORE RD.	230	47
	C-144-10B	LOT #10 OAK PARK ADDITION	KOKOMO, IN 46901		
10	CE-146A-24	ORMSBY, MARILYN & MARK A.	545 KNOLLWOOD DR.	245	1779
	C-144-10A	PART OF LOTS 9 & 10 OAK PARK ADDITION	CEDAR RAPIDS, IA 52403	245	1780
11	CE-146A-23	ORMSBY, MARILYN & MARK A.	545 KNOLLWOOD DR.	245	1779
	C-144-9B	PART OF LOTS 9 & 10 OAK PARK ADDITION	CEDAR RAPIDS, IA 52403	245	1780
12	CE-146A-22	WHITTEN, SCOTT W. & JOLIE D.	3300 W. SYCAMORE ST.	263	1418
	C-144-9A	PART OF LOT 9 OAK PARK ADDITION	KOKOMO, IN 46901		
13	CE-146A-21	WHITTEN, SCOTT W. & JOLIE D.	3300 W. SYCAMORE ST.	263	1418
	C-144-8B	PART OF LOTS 8 & 9 OAK PARK ADDITION	KOKOMO, IN 46901		
14	CE-146A-20	MAUPIN, WENDELL W.	3234 W. SYCAMORE RD.	246	543
	C-144-8A	PART OF LOT 8 OAK PARK ADDITION	KOKOMO, IN 46901		
15	CE-146A-19	SEAGRAVE, EDMUND O. & SUZANNE	6 PARIS POINTE DR.	254	2824
	C-33-3B		GREENVILLE, SC 29609		
16	CE-146A-18	BUCKALEW, HERRELL G. & DORTHA M.	3100 W. SYCAMORE RD.	202	381
	C-33-16		KOKOMO, IN 46901		
17	CK-146B-96	MCPHIE, STEVEN R.	4601 N. PARKWAY	256	3605
	10-127-275-1	LOT #1 McPIKES LANDING	KOKOMO, IN 46901	256	3606
18	CK-146B-95	MCCORD, JAMES R.	2974 W. SYCAMORE ST.	257	3526
	10-127-275-2	LOT #2 McPIKES LANDING	KOKOMO, IN 46901		
19	CE-146B-94	TRAGESSER, SUSAN E.	2910 W. SYCAMORE ST.	251	1837
	C-33-12		KOKOMO, IN 46901		
20	CE-146B-93	FORD, JERRY & CHERYL	2860 W. SYCAMORE RD.	262	1003
	C-269-1	LOT #1 FORD SUBDIVISION	KOKOMO, IN 46901		
21	CE-146B-877	RIGGS, WAYNE R. & JAMAKIE A.	2810 W. SYCAMORE RD.	261	1861
	C-33-13A2		KOKOMO, IN 46901		

PROPERTY I.D. NUMBER	PARCEL I.D. NUMBERS	PROPERTY OWNER(S)	TAX-PAYER ADDRESS	DEED BOOK	PAGE #
22	CE-146B-092	FORD, CHARLES F. & HAZEL L.	2806 W. SYCAMORE RD.	192	609
	C-33-13A1		KOKOMO, IN 46901		
23	CE-146B-91	CRONE, MICHAEL E. & KATHLEEN A.	2714 W. SYCAMORE RD.	234	542
	C-33-14B-1		KOKOMO, IN 46901		
24	CE-146B-90	ADAMS, WALTER GENE & CAROLYN KAY	2712 W. SYCAMORE RD.	239	3053
	C-33-14B2, 14B4, 14B3		KOKOMO, IN 46901		
25	CE-146B-89	LONGSHORE, MICHAEL S. & CONNIE M.	2708 W. SYCAMORE RD.	258	1438
	C-33-14C1		KOKOMO, IN 46901		
26	CE-146B-86	THOMPSON, JACK F. & LILLIAN E.	2706 W. SYCAMORE RD.	262	3291
	C-33-14A1, 14C2		KOKOMO, IN 46901		
27	CE-146B-88	THOMPSON, JACK F. & LILLIAN E.	2700 W. SYCAMORE ST.	247	1209
	C-33-14A-2		KOKOMO, IN 46901		
28	CE-146B-87	TUCKER, MARY E.	2626 W. SYCAMORE RD.	247	2704
	C-33-14A-3		KOKOMO, IN 46901		
29	CE-146B-85	SHUTT, JERRY L. & PATRICIA R.	P.O. BOX 2753	253	2576
	C-33-15		KOKOMO, IN 46904-2753		
30	CE-146B-84	CENTRAL PROPERTIES, INC., AN INDIANA CORPORATION	P.O. BOX 151540	230	1367
	C-33-19		ANDERSON, IN 46015		
31	CE-146B-83	CENTRAL PROPERTIES, INC., AN INDIANA CORPORATION	P.O. BOX 151540	230	1367
	C-33-17		ANDERSON, IN 46015		
32	CE-146B-82	MED-O-BLOOM DAIRY, INC.	P.O. BOX 151540	233	1745
	C-33-18		ANDERSON, IN 46015		
33	CE-146B-81	MED-O-BLOOM DAIRY, INC.	P.O. BOX 151540	238	2814
	C-33-9C		ANDERSON, IN 46015		
34	CE-146B-80	BOWSER, ELVIN V. & MARION	2520 W. SYCAMORE RD.	218	335
	C-33-9B		KOKOMO, IN 46901		
35	CE-146B-79	BEAN, PATTY S.	2504 W. SYCAMORE ST.	263	1168
	C-33-9D		KOKOMO, IN 46901		
36	CK-146B-77	CITY OF KOKOMO	CITY BUILDING	225	945
	10-127-10B-2 & 10C-2		KOKOMO, IN 46901		
37	CK-147A-118	DIXON INVESTMENTS, INC.	P.O. BOX 2166	257	415
	3-135-1	LOT #1 D-X MINOR SUBDIVISION	KOKOMO, IN 46904-2166		
38	CK-147A-2	RAYL, RICHARD L. & HINGST, W. JOHN	P.O. BOX 2166	252	3723
	2-131-A	LOT A COLONIAL PLAZA MINOR SUBDIVISION	KOKOMO, IN 46904-2166		
39	CK-147A-117	CAIN, PAMELA B.	2316 W. SYCAMORE ST. & 2328	253	1193
	2-134-1		KOKOMO, IN 46901		
40	CK-147A-115	K.A.K. REAL ESTATE, INC., A KENTUCKY CORPORATION & MCALLISTER, DONALD T.	P.O. BOX 1600	253	607
	4-141-1A	LOT #1 G&M SUBDIVISION	ROWLETTE, TX 75030		
41	CK-147A-114	RALLY'S INC., A DELAWARE CORPORATION	P.O. BOX 1600	253	2972
	4-141-1B	LOT #2 G&M SUBDIVISION	ROWLETTE, TX 75030		

PROPERTY I.D. NUMBER	PARCEL I.D. NUMBERS	PROPERTY OWNER(S)	TAX-PAYER ADDRESS	DEED BOOK	PAGE #
42	CK-147A-113	THE FIRST CHURCH OF GOD OF THE CITY	2222 W. SYCAMORE ST.	240	815
	10-128-26	OF KOKOMO, IN	KOKOMO, IN 46901		
43	CK-147A-112	THE FIRST CHURCH OF GOD OF THE CITY	2224 W. SYCAMORE ST.	240	815
	10-128-27	OF KOKOMO, IN	KOKOMO, IN 46901		
44	CK-147A-110	MID-AMERICAN LEASING, A PARTNERSHIP OF	P.O. BOX 2166	261	3831
	10-128-28	HOWARD COUNTY, IN	KOKOMO, IN 46904-2166		
45	CK-147A-108	RAYL, RICHARD L. & HINGST, W. JOHN	P.O. BOX 2166	252	3723
	10-128-30B, 4L10-79A-17B, 18B		KOKOMO, IN 46904-2166		
46	CK-147A-107	DICK RAYL & ASSOCIATES, L.L.C.	P.O. BOX 2166	261	4317
	10-128-30A		KOKOMO, IN 46904-2166		THRU 4319
47	CK-147A-106	MURPHY, ROGER L. D.D.S., INC.	2196 W. SYCAMORE ST.	255	3189
	10-79A-19		KOKOMO, IN 46901		
48	CK-147A-105	COLUMBIAN CLUB OF KOKOMO, INC.	P.O. BOX 182	208	436
	10-79-5A ETAL		KOKOMO, IN 46903-0182		
49	CK-147A-104	OWENS, RICHARD A. JR.	219 E. MAIN ST.	261	1586
	3-129-105E	PART OF LOT 105 FOREST PARK EXTENSION	HILLSBORO, OH 45133		
50	CK-147A-103	OWENS, RICHARD A. JR.	219 E. MAIN ST.	261	1586
	3-129-105I		HILLSBORO, OH 45133		
51	CK-147A-102	OWENS, RICHARD A. JR.	219 E. MAIN ST.	261	1586
	3-129-105J	PART OF LOT 105 FOREST PARK EXTENSION	HILLSBORO, OH 45133		
52	CK-147A-101	HOLLINGSWORTH, LEONARD D. & BETTE R.	2004 W. SYCAMORE ST.	243	492
	3-129-105K	PART OF LOT 105 FOREST PARK EXTENSION	KOKOMO, IN 46901		THRU 497
53	CK-147A-100	BURLINGTON COMMUNITY MEDICAL CENTER, INC., AN INDIANA CORPORATION	P.O. BOX 38	248	3028
	3-129-105L	PART OF LOT 105 FOREST PARK EXTENSION	BURLINGTON, IN 46915		
54	CK-147A-99	BURLINGTON COMMUNITY MEDICAL CENTER, INC., AN INDIANA CORPORATION	P.O. BOX 38	248	3028
	3-129-105F	PART OF LOT 105 FOREST PARK EXTENSION	BURLINGTON, IN 46915		
55	CK-147A-98	KERR, GERALD E.	2008 W. SYCAMORE ST.	255	107
	3-129-105H	PART OF LOT 105 FOREST PARK EXTENSION	KOKOMO, IN 46901		
56	CK-147A-97	KERR, GERALD E.	2008 W. SYCAMORE ST.	254	3518
	3-129-105G	PART OF LOT 105 FOREST PARK EXTENSION	KOKOMO, IN 46901	254	3519
57	CK-147A-96	KERR, GERALD E.	2008 W. SYCAMORE ST.	254	3518
	3-129-105D1	PART OF LOT 105 FOREST PARK EXTENSION	KOKOMO, IN 46901	254	3519
58	CK-147A-95	HOLLINGSWORTH, LEONARD D. & BETTE R.	2004 W. SYCAMORE ST.	243	492
	3-129-105D2	PART OF LOT 105 FOREST PARK EXTENSION	KOKOMO, IN 46901		THRU 497
59	CK-147A-94	HOLLINGSWORTH, LEONARD D. & BETTE R.	2004 W. SYCAMORE ST.	243	492
	3-129-105C2	PART OF LOT 105 FOREST PARK EXTENSION	KOKOMO, IN 46901		THRU 497
60	CK-147A-93	HOLLINGSWORTH, LEONARD D. & BETTE R.	2004 W. SYCAMORE ST.	243	492
	3-129-105C1	PART OF LOT 105 FOREST PARK EXTENSION	KOKOMO, IN 46901		THRU 497



RECOMMENDED FOR APPROVAL *Kenneth L. Bowman* 3/30/00 DATE
DESIGN ENGINEER

DESIGNED: MAT DRAWN: KJB
CHECKED: DEL CHECKED: DEL

INDIANA DEPARTMENT OF TRANSPORTATION
PROPERTY OWNERS LIST
LOCATION CONTROL
ROUTE SURVEY PLAT

HORIZONTAL SCALE	BRIDGE FILE
1:500	
VERTICAL SCALE	DESIGNATION
1:100	8677420
SURVEY BOOK	SHEETS
ELECTRONIC	4 of 8
CONTRACT	PROJECT
	STP-120-2(007)

0031005406

00 MAR 30 AM 10:58
MARILYN J. SHURLEY

FEDERAL ROAD REGION NO.	STATE	PROJECT NO.	FISCAL YR.	SHEET NO.	TOTAL SHEETS
5	IND	STP-120-2(007)	2000		

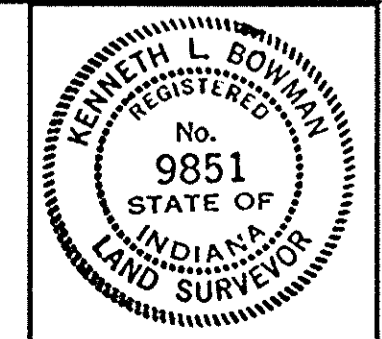
PROPERTY I.D. NUMBER	PARCEL I.D. NUMBERS	PROPERTY OWNER(S)	TAX-PAYER ADDRESS	DEED BOOK	PAGE #
(61)	CK-147A-92 3-129-105B	WHITEHEAD, EDWARD SCOTT	2305 W. MAPLE ST. KOKOMO, IN 46901	262	2896
(62)	CK-147A-47 3-128-29	WHITEHEAD, EDWARD SCOTT	2305 W. MAPLE ST. KOKOMO, IN 46901	262	2896
(63)	CL-145B-130 CL-33-13A3	WRIGHT, ROBERT H. & LILLIS J.	3077 W. 80 N. KOKOMO, IN 46901	234	1236
(64)	CL-145B-131 CL-33-13B	SETZER, RONNIE A. & CAROLYN J.	759 N. 300 W. KOKOMO, IN 46901	251	2838
(65)	CL-145B-132 CL-33-13A2	PADFIELD, MARGARET J.; WACHS, NANCY JO; PADFIELD, FREDERICK D.	2923 S. PARK RD. KOKOMO, IN 46902	262	592
(66)	CL-145B-133 CL-33-14A	SHORT, ROBERT B. & MARY LOUISE	321 S. MALFALFA RD. KOKOMO, IN 46901	237	2933
(67)	CL-145B-135 CL-33-14B	WARREN, RICHARD E.	633 N. 300 W. KOKOMO, IN 46901	262	3942
(68)	CE-146A-35 C-33-20	KINGERY, LILLIAN F.	4528 N. 200 W. KOKOMO, IN 46901	253	2270
(69)	CE-146A-36 C-33-21B-1	KOKOMO SWIN CLUB, INC.	P.O. BOX 582 KOKOMO, IN 46903-0582	227	738
(70)	CE-146A-37 C-33-21B2	WAGONER, DON J. & MARILYN L.	P.O. BOX 38 BURLINGTON, IN 46915	239	3253
(71)	CE-146A-38 C-33-21A	WAGONER, DON J. & MARILYN L.	P.O. BOX 38 BURLINGTON, IN 46915	239	3253
(72)	CE-146A-39 C-33-22A1	WAGONER, DON J. & MARILYN L.	P.O. BOX 38 BURLINGTON, IN 46915	239	3253
(73)	CE-146A-40 10-154-22A2	WEST SYCAMORE CENTER, AN INDIANA LIMITED PARTNERSHIP	3109 W. SYCAMORE ST. KOKOMO, IN 46901	254	2521 2522
(74)	CE-146A-41 C-33-22B2	WEST SYCAMORE CENTER, AN INDIANA LIMITED PARTNERSHIP	3109 W. SYCAMORE ST. KOKOMO, IN 46901	254	2521 2522
(75)	CK-146A-42 10-154-3C	WAGONER, DON J. & MARILYN L.	P.O. BOX 38 BURLINGTON, IN 46915	240	3483
(76)	CK-146A-43 10-135-23	STINE, FRED L. & FRIEDA J.	3105 W. SYCAMORE RD. KOKOMO, IN 46901	247	2729
(77)	CK-146A-44 8-140-1	RIDGEWAY, WILLIAM J. JR. & DIANE M.	3101 W. SYCAMORE RD. KOKOMO, IN 46901	250	3031
(78)		NOT USED			
(79)	CK-146A-47 10-135-24A-2B	HENRY & GLEN'S MARATHON SERVICE, L.L.C.	3029 W. SYCAMORE ST. KOKOMO, IN 46901	263	1524
(80)	CK-146A-48 10-135-24B-2B	HENRY & GLEN'S MARATHON SERVICE, L.L.C.	3029 W. SYCAMORE ST. KOKOMO, IN 46901	263	1526
(81)	CK-146B-97 8-62A-1	DICK RAYL & ASSOCIATES, L.L.C. LOT #1 SCHWIEMAN SUBDIVISION	P.O. BOX 2166 KOKOMO, IN 46904	263	698

PROPERTY I.D. NUMBER	PARCEL I.D. NUMBERS	PROPERTY OWNER(S)	TAX-PAYER ADDRESS	DEED BOOK	PAGE #
(82)	CK-146B-98 10-127-24B-1C	BEVERLY HEALTH & REHABILITATION SERVICES, INC., A CALIFORNIA CORPORATION	2905 W. SYCAMORE ST. KOKOMO, IN 46901	259	1034
(83)	CK-146B-99 10-127-25A	HANSELL, SHARON S.	2825 W. SYCAMORE ST. KOKOMO, IN 46901	258	2297
(84)	CK-146B-100 10-127-25B-2	HANSELL, SHARON & DITTY, LAURA ANN	2825 W. SYCAMORE ST. KOKOMO, IN 46901	258	1367
(85)	CK-146B-220 10-127-25B-1A-1A	GEARHEART, WALTER M. & JUNE ANN	2715 W. SYCAMORE ST. KOKOMO, IN 46901	234	896
(86)	CK-146B-221 10-127-25B-1B	BOWSER, LAWRENCE K. & CHRISTINA D.	2707 W. SYCAMORE ST. KOKOMO, IN 46901	261	1919
(87)	CK-146B-222 10-127-25B-1A-1B	DENNY, JAMES R. & PEGGY	2701 W. SYCAMORE ST. KOKOMO, IN 46901	254	1210
(88)	CK-146B-223 9-97-29	HICKMAN, JERRY LOT #29 SECTION ONE SYCAMORE VILLAGE ADDITION	2629 W. SYCAMORE ST. KOKOMO, IN 46901	253	3635
(89)	CK-146B-224 9-97-28	DENNIS, JUNE LOT #28 SECTION ONE SYCAMORE VILLAGE ADDITION	2623 W. SYCAMORE ST. KOKOMO, IN 46901	249	1215
(90)	CK-146B-225 9-97-27	FEWELL, EUGENE WAYNE & IRETHA P. LOT #27 SECTION ONE SYCAMORE VILLAGE ADDITION	2617 W. SYCAMORE ST. KOKOMO, IN 46901	205	168
(91)	CK-146B-226 9-97-26	STINER, JAMES A. & MARY L. LOT #26 SECTION ONE SYCAMORE VILLAGE ADDITION	2609 W. SYCAMORE ST. KOKOMO, IN 46901	261	1488
(92)	CK-146B-227 9-97-25	BENNETT, LOURDES A., TRUSTEE LOT #25 SECTION ONE SYCAMORE VILLAGE ADDITION	2809 PLUM CT. KOKOMO, IN 46902	254	2126
(93)	CK-146B-320 9-97-24	SLAUGHTER, HENRY L. & CALLIE W. LOT #24 SECTION ONE SYCAMORE VILLAGE ADDITION	1205 DOUD DR. KOKOMO, IN 46902	240	1663 1664 1665
(94)	CK-146B-321 9-97-23	STEVENS, DAVID A. & BARBARA A. LOT #23 SECTION ONE SYCAMORE VILLAGE ADDITION	2549 W. SYCAMORE ST. KOKOMO, IN 46901	242	1372
(95)	CK-146B-322 9-97-22	FERGUSON, MARGARET E. LOT #22 SECTION ONE SYCAMORE VILLAGE ADDITION	2543 W. SYCAMORE ST. KOKOMO, IN 46901	263	1211
(96)	CK-146B-323 9-97-21	PICKETT, DENNIS & JULIE K. LOT #21 SECTION ONE SYCAMORE VILLAGE ADDITION	2537 W. SYCAMORE ST. KOKOMO, IN 46901	248	1918
(97)	CK-146B-324 9-97-20	DEWITT, MARK G. & TINA M. LOT #20 SECTION ONE SYCAMORE VILLAGE ADDITION	2529 W. SYCAMORE ST. KOKOMO, IN 46901	255	2997
(98)	CK-146B-325 9-97-19	LUGO, THOMAS & A. JANE LOT #19 SECTION ONE SYCAMORE VILLAGE ADDITION	2523 W. SYCAMORE ST. KOKOMO, IN 46901	243	3057
(99)	CK-146B-326 9-97-18	TOMJACK, DARRON M. LOT #18 SECTION ONE SYCAMORE VILLAGE ADDITION	2515 W. SYCAMORE ST. KOKOMO, IN 46901	263	1078
(100)	CK-146B-327 9-97-17	HENSON, PATRICK, D. & KATHLEEN S. LOT #17 SECTION ONE SYCAMORE VILLAGE ADDITION	2507 W. SYCAMORE ST. KOKOMO, IN 46901	248	1107
(101)	CK-146B-328 9-97-16	HAMMOND, JOE H. & DORIS J. LOT #16 SECTION ONE SYCAMORE VILLAGE ADDITION	2501 W. SYCAMORE ST. KOKOMO, IN 46901	250	2682

PROPERTY I.D. NUMBER	PARCEL I.D. NUMBERS	PROPERTY OWNER(S)	TAX-PAYER ADDRESS	DEED BOOK	PAGE #
(102)	CK-146B-338 9-97-15	WOOD, DANIEL E. & NANCY A. LOT #15 SECTION ONE SYCAMORE VILLAGE ADDITION	31 EMERALD LANE KOKOMO, IN 46902	252	1011
(103)	CK-146B-339 9-97-14A	WOOD, DANIEL E. & NANCY A.	31 EMERALD LANE KOKOMO, IN 46902	252	1012
(104)		NOT USED			
(105)	CK-147A-119 8-139-1	M.W.M., A PARTNERSHIP LOT #1 PATSY'S REPLAT OF PART OF LOTS 1 & 2 IN SYCAMORE GARDENS	295 E. LINCOLN RD. KOKOMO, IN 46902	246	1402
(106)	CK-147A-120 9-95-1B-1, 2B, 2C, 3	McDONALDS CORPORATION LOT #2 PATSY'S REPLAT IN SYCAMORE GARDENS AND LOT #3	P.O. BOX 66207 AMFO CHICAGO IL. 60666	262	3951
(107)	CK-147A-121 9-95-4	MCGUIRE, NED L. & ELLEN LOUISE LOT #4 SYCAMORE GARDENS SUBDIVISION	6669 W. 500 N. KOKOMO, IN 46901	244	2425
(108)	CK-147A-122 9-95-5	COMER, KEVIN & FOUST, KAREN E. LOT #5 SYCAMORE GARDENS SUBDIVISION	1700 FAIRWAY DR. KOKOMO, IN 46901	252	3363
(109)	CK-147A-123 9-95-6	BARNETT, JANET L. LOT #6 SYCAMORE GARDENS SUBDIVISION	2305 W. SYCAMORE ST. KOKOMO, IN 46901	255	0177
(110)	CK-147A-124 9-95-7	SCHULTE, PAUL F. & SHERYL A. LOT #7 SYCAMORE GARDENS SUBDIVISION	2301 W. SYCAMORE ST. KOKOMO, IN 46901	261	533
(111)	CK-147A-125 9-96-1A	SMELTZER, MAX & MARTHA E. LOT #1 SYCAMORE PARK SUBDIVISION	2251 W. SYCAMORE ST. KOKOMO, IN 46901	223	659 660
(112)	CK-147A-174 9-96-43B	SIMPSON, WILLIAM R. & FRANCES F. LOT #43 SYCAMORE PARK SUBDIVISION	2225 W. SYCAMORE ST. KOKOMO, IN 46901	247	3096
(113)	CK-147A-175 10-128-13	RYBOLT, GERALD W. KOKOMO, IN 46901	2221 W. SYCAMORE ST. KOKOMO, IN 46901	175	560
(114)	CK-147A-176 4-134-1	LAWRENCE, PATRICIA J. & LAWRENCE, VICTORIA J. LOT #1 GREEN BRIAR SUBDIVISION	2207 W. SYCAMORE ST. KOKOMO, IN 46901	259	3267
(115)	CK-147A-177 4-134-2	LAWRENCE, VICTORIA J. LOT #2 GREEN BRIAR SUBDIVISION	2207 W. SYCAMORE ST. KOKOMO, IN 46901	254	404
(116)	CK-147A-178 10-128-14A	ROZZI, CAMILLO L. & JUDITH KOKOMO, IN 46901	2201 W. SYCAMORE ST. KOKOMO, IN 46901	258	2373
(117)	CK-147A-179 4-134-3	ROZZI, CAMILLO L. & JUDITH K. LOT #3 GREEN BRIAR SUBDIVISION	201 DEVONSHIRE DR. KOKOMO, IN 46901	243	1384
(118)	CK-147A-265 4-134-46	KENNEDY, WILMA M. LOT #46 GREEN BRIAR SUBDIVISION	200 DEVONSHIRE DR. KOKOMO, IN 46901	259	1577
(119)	CK-147A-270 10-79-A1 ETAL	ST. JOSEPH MEMORIAL HOSPITAL OF KOKOMO, IN, INC.	1907 W. SYCAMORE ST. KOKOMO, IN 46901	226	2397
(120)	CK-147B-524 3-100-303	HEFLIN, WAYNE L. & PATRICIA G. LOT #303 FOREST PARK ADDITION	1768 W. WALNUT ST. KOKOMO, IN 46901	261	2106
(121)	CK-147B-627 3-101-304	SMITH, HELEN B. LOT #304 FOREST PARK ADDITION	1771 W. WALNUT ST KOKOMO, IN 46901	263	1594
(122)	CK-147B-626 3-101-305	EVANS, JEFFREY R. & CATHERINE F. LOTS #305 & 306 FOREST PARK ADDITION	1758 W. SYCAMORE ST. KOKOMO, IN 46901	259	186

HOWARD COUNTY RECORDER
00 MAR 30 AM 10:58
MARILYN J. SHURLEY
0031005406

P:\PR21351\CADD\RW\PRPLIST.DWG 3-29-00 10:41:12 am DIX



RECOMMENDED FOR APPROVAL *Kenneth L. Bowma* 3/30/00
DESIGN ENGINEER DATE

DESIGNED: MAT DRAWN: KJB
CHECKED: DEL CHECKED: DEL

INDIANA DEPARTMENT OF TRANSPORTATION

PROPERTY OWNERS LIST
LOCATION CONTROL
ROUTE SURVEY PLAT

HORIZONTAL SCALE	BRIDGE FILE
N/A	
VERTICAL SCALE	DESIGNATION
N/A	8677420
SURVEY BOOK	SHEETS
ELECTRONIC	5 of 8
CONTRACT	PROJECT
	STP-120-2(007)

FEDERAL ROAD REGION NO.	STATE	PROJECT NO.	FISCAL YR.	SHEET NO.	TOTAL SHEETS
5	IND	STP-120-2(007)	2000		

PROPERTY I.D. NUMBER	PARCEL I.D. NUMBERS	PROPERTY OWNER(S)	TAX-PAYER ADDRESS	DEED BOOK	PAGE #
123	CK-147B-624	O'DONNELL, JOHN P. & PATRICIA L.	782 E. 450 N.	251	3892
	3-101-307	LOT #307	KOKOMO, IN 46901		
		FOREST PARK ADDITION			
124	CK-147B-623	GABRIEL, MARIAN L.	1744 W. SYCAMORE ST.	258	2949
	3-101-308	LOT #308	KOKOMO, IN 46901		
		FOREST PARK ADDITION			
125	CK-147B-622	BOISE, GLEN R.	1736 W. SYCAMORE ST.	258	3041
	3-101-309	LOT #309	KOKOMO, IN 46901		
		FOREST PARK ADDITION			
126	CK-147B-621	ELLER, JAMES R. & MARY ANN	1732 W. SYCAMORE ST.	257	757
	3-101-310	LOT #310 AND PART OF LOT #311 & 311A	KOKOMO, IN 46901		
		FOREST PARK ADDITION			
127	CK-147B-619	BRINEY, JANE HINSHAW; BRINEY, BRUCE	1720 W. SYCAMORE ST.	261	66
	3-101-311B	HINSHAW; BRINEY, ROGER DAVID	KOKOMO, IN 46901		THRU
		PART OF LOT #311 AND LOT #312		261	69
		FOREST PARK ADDITION			
128	CK-147B-618	BRINEY, JANE HINSHAW; BRINEY, BRUCE	1720 W. SYCAMORE ST.	261	66
	3-101-312	HINSHAW; BRINEY, ROGER DAVID	KOKOMO, IN 46901		THRU
		LOT #312		261	69
		FOREST PARK ADDITION			
129	CK-147B-617	HUNLEY, RONALD L. & KENNER, MELANIE J.	1706 W. SYCAMORE ST.	256	2873
	3-101-313	LOT #313	KOKOMO, IN 46901		
		FOREST PARK ADDITION			
130	CK-147B-616	BERRY, C. PAULINE	1704 W. SYCAMORE ST.	250	3193
	3-101-314	LOT #314	KOKOMO, IN 46901		
		FOREST PARK ADDITION			
131	CK-147B-615	LIPINSKI, JOHN R. & RHONDA L.	101 WILDWOOD DR.	259	1180
	3-101-315	LOT #315	KOKOMO, IN 46901		
		FOREST PARK ADDITION			
132	CK-147B-639	WERT, ROBERTA A.	102 WILDWOOD DR.	262	1846
	3-102-316	LOT #316	KOKOMO, IN 46901		
		FOREST PARK ADDITION			
133	CK-147B-638	WERT, ROBERTA A.	102 WILDWOOD DR.	262	1846
	3-102-317	LOT #317	KOKOMO, IN 46901		
		FOREST PARK ADDITION			
134	CK-147B-637	DAIN, DANNY L. & KARLA DIANE	1610 W. SYCAMORE ST	247	1260
	3-102-318	LOT #318	KOKOMO, IN 46901		
		FOREST PARK ADDITION			
135	CK-147B-636	MCKEE, KAY F.	1608 W. SYCAMORE ST	256	535
	3-102-319	LOT #319	KOKOMO, IN 46901		
		FOREST PARK ADDITION			
136	CK-147B-635	BRANNON, JAMIE D.; BRANNON, JAMES J.; BRANNON, G. CHRISTINE	1606 W. SYCAMORE ST	261	1620
	3-102-320A	LOT # 320	KOKOMO, IN 46901		
		FOREST PARK ADDITION			
137	CK-147B-634	PLYMATE, MONA E.	101 RUDELL DR.	262	185
	3-102-320B, 321	LOT #321	KOKOMO, IN 46901		
		FOREST PARK ADDITION			
138	CK-147B-662	STEWART, JERRY G. & LINDA K.	102 RUDELL DR.	258	4278
	10-80-A3		KOKOMO, IN 46901		
139	CK-147B-661	DAILY, MICHAEL J. & ELLIS, R. CARTWRIGHT	1320 MARKLAND AVE.	282	2359
	10-80-A1		KOKOMO, IN 46901		
140	CK-147B-660	HURM, JOYCE A.	5462 LACY CT.	262	589
	10-80-A2		GREENWOOD, IN 46142		
141	CK-147B-659	RINKER, DORA	1532 W. SYCAMORE ST.	259	1402
	10-80-A5		KOKOMO, IN 46901		
142	CK-147B-658	PHILLIPS, JEFFREY E. & MARY JANE	1530 W. SYCAMORE ST.	250	92
	10-80-A4		KOKOMO, IN 46901		

PROPERTY I.D. NUMBER	PARCEL I.D. NUMBERS	PROPERTY OWNER(S)	TAX-PAYER ADDRESS	DEED BOOK	PAGE #
143	CK-147B-657	SNOW, RICHARD L. & DORA D.	1526 W. SYCAMORE ST.	250	805
	10-80-A6		KOKOMO, IN 46901		
144	CK-147B-656	JACKSON, STEVEN W. & JANICE A.	1522 W. SYCAMORE ST.	261	3975
	10-85-A2		KOKOMO, IN 46901		
145	CK-147B-655	BARGER, TOMMIE & AMY L.	1518 W. SYCAMORE ST.	240	2074
	10-85-B1		KOKOMO, IN 46901		
146	CK-147B-654	PEARSON, ROGER W. & WANDA J.	1510 W. SYCAMORE ST.	255	586
	10-85-C		KOKOMO, IN 46901		
147	CK-147B-653	CUTTRISS, MARK ALLEN & PAULA JOAN	1508 W. SYCAMORE ST.	237	1265
	2-18-19	LOT #19	KOKOMO, IN 46901		
148	CK-147B-652	ULLERY, W. MICHAEL & LAURA JEAN	1502 W. SYCAMORE ST.	256	487
	2-18-20	LOT #20	KOKOMO, IN 46901		
149	CK-147B-693	HUMMEL, CHRISTOPHER ALAN & TRACY	1420 W. SYCAMORE ST.	261	2133
	8-55-40B	LYNN LOT #40	KOKOMO, IN 46901		
150	CK-147B-692	HUMMEL, CHRISTOPHER ALAN & TRACY	1420 W. SYCAMORE ST.	261	2133
	8-55-41	LYNN LOT #41	KOKOMO, IN 46901		
151	CK-147B-691	KAZLAS, JOSEPH P.	1416 W. SYCAMORE ST.	261	4229
	8-55-42	LOT #42	KOKOMO, IN 46901		
152	CK-147B-690	DILEGO, PETER T. & BOBBI J.	1414 W. SYCAMORE ST.	262	1881
	8-55-43	LOT #43	KOKOMO, IN 46901		
153	CK-147B-689	HACHET, JEAN G.	1412 W. SYCAMORE ST.	246	1274
	8-55-44	LOT #44	KOKOMO, IN 46901		
154	CK-147B-688	MARKIEWICZ, HENRIETTA	1400 W. SYCAMORE ST.	247	2099
	8-55-45	LOT #45	KOKOMO, IN 46901		
155	CK-147B-687	MARKIEWICZ, HENRIETTA	1400 W. SYCAMORE ST.	247	2099
	8-55-46	LOT #46	KOKOMO, IN 46901		
156	CK-147B-686	MARKIEWICZ, HENRIETTA	1400 W. SYCAMORE ST.	247	2099
	8-55-47A	LOT #47	KOKOMO, IN 46901		
157	CK-147B-684	OYLER, PHILLIP K. & JUDY A.	1318 W. SYCAMORE ST.	261	2061
	8-55-47B, 48B	LOT #48	KOKOMO, IN 46901		
158	CK-147B-683	WATSON, REX L. & JANET L.	1314 W. SYCAMORE ST.	251	971
	8-55-48A, 49A	LOT #49	KOKOMO, IN 46901		
159	CK-147B-682	COLLINS, JEFFREY A.	1705 MEADOWBROOK DR.	252	3685
	8-55-49B, 50	LOT #50	KOKOMO, IN 46902		
160	CK-147B-681	LAMBERT, WILLIAM P.	141 ORCHARD LN.	247	3152
	8-55-51	LOT #51	KOKOMO, IN 46901		
161	CK-147B-680	LAMBERT, WILLIAM P.	141 ORCHARD LN.	247	3152
	8-55-52	LOT #52	KOKOMO, IN 46901		
162	CK-148A-399	BOTHAST, BARBARA A.	1234 W. SYCAMORE ST.	254	449
	8-28-10A	LOT #10	KOKOMO, IN 46901		
163	CK-148A-398	EDGERTON, BRIAN J. & KIMBERLY L.	1228 W. SYCAMORE ST.	259	1886
	8-28-10B, 11A	LOT #11	KOKOMO, IN 46901		
		MARY C. PHILIPS ADDITION			

PROPERTY I.D. NUMBER	PARCEL I.D. NUMBERS	PROPERTY OWNER(S)	TAX-PAYER ADDRESS	DEED BOOK	PAGE #
164	CK-148A-397	MCMULLEN, CARL F. & MARILYN B.	1224 W. SYCAMORE ST.	253	3645
	8-28-11B, 12, 9-4-22	LOT #12	KOKOMO, IN 46901		
		MARY C. PHILIPS ADDITION			
165	CK-148A-396	BOARD OF COMMISSIONERS OF HOWARD CO.	117 N. MAIN ST. RM. 210	262	3596
	9-4-23	LOT #23	KOKOMO, IN 46901		THRU
		D.C. SPARKER ADDITION		262	3597
166	CK-148A-395	BOARD OF COMMISSIONERS OF HOWARD CO.	117 N. MAIN ST. RM. 210	262	3596
	9-4-24A	LOT #24	KOKOMO, IN 46901		THRU
		D.C. SPARKER ADDITION		262	3597
167	CK-148A-394	BOARD OF COMMISSIONERS OF HOWARD CO.	117 N. MAIN ST. RM. 210	262	3596
	9-4-15 TO 19B, 9-4-24B TO 28	LOT #25, 26, AND 27	KOKOMO, IN 46901		THRU
		D.C. SPARKER ADDITION		262	3597
168	CK-148A-393	BOARD OF COMMISSIONERS OF HOWARD CO.	117 N. MAIN ST. RM. 210	262	3596
	5-4-6, 7	LOT #28	KOKOMO, IN 46901		THRU
		D.C. SPARKER ADDITION		262	3597
169	CK-148A-392	BURKHARD, EDMUND C. JR. & JOSEPHINE	1110 W. SYCAMORE ST.	228	1344
	5-4-5A	H. LOT #6	KOKOMO, IN 46901		
170	CK-148A-391	BITNER, ANTHONY S.	1106 W. SYCAMORE ST.	257	599
	5-4-4A, 5B	LOT #5	KOKOMO, IN 46901		
171	CK-148A-390	WERNER, MICHAEL S. & JO ANN	1104 W. SYCAMORE ST.	233	2354
	5-4-3A, 4B	LOT #4	KOKOMO, IN 46901		
172	CK-148A-389	WARD, ANNA MARIE	7608 N. APPERSON WAY	245	1014
	5-4-2A, 3B	LOT #3 AND PART OF LOT #2	KOKOMO, IN 46901		
173	CK-148A-388	STILWELL, SAMUEL R. & LINDA A.	1016 W. SYCAMORE ST.	251	1081
	5-4-1, 2B	LOT #1 AND PART OF LOT #2	KOKOMO, IN 46901		
174	CK-148A-387	STAHL, KELLY & DONNA	1010 W. SYCAMORE ST.	261	2059
	8-125-11A & 1JA	PART OF LOT #1	KOKOMO, IN 46901		
175	CK-148A-386	WARD, JOHN L. & PEGGY D.	1004 W. SYCAMORE ST.	234	1471
	8-125-1K	PART OF LOT #1	KOKOMO, IN 46901		
176	CK-148A-420	WILSON, MARILYN L.	930 W. SYCAMORE ST.	258	2857
	8-126-2H	PART OF LOT #2	KOKOMO, IN 46901		
177	CK-148A-419	HJELMELAND, HAROLD R. & LINDA C.	914 W. SYCAMORE ST.	238	3122
	8-126-2G, 2I	PART OF LOT #2	KOKOMO, IN 46901		
178	CK-148A-418	HAZEL, RANDELL K & SHERRY K.	912 W. SYCAMORE ST.	262	3921
	8-126-2J	PART OF LOT #2	KOKOMO, IN 46901		
179	CK-148A-417	MANN, DANIEL C. & TAMALA J.	904 W. SYCAMORE ST.	249	1000
	8-126-2K	PART OF LOT #2	KOKOMO, IN 46901		
180	CK-148A-416	WARD, LYNNETTE J.	824 W. SYCAMORE ST.	249	199
	8-126-2L, 3H	PART OF LOT #3	KOKOMO, IN 46901		
181	CK-148A-415	PIERCE, RONALD JOSEPH & LISA J.	818 W. SYCAMORE ST.	243	2932
	8-126-3I	PART OF LOT #3	KOKOMO, IN 46901		
182	CK-148A-414	CLICK, VERDA D. & BOGUE, EVELYN	810 W. SYCAMORE ST.	249	3445
	8-126-3J	PART OF LOT #3	KOKOMO, IN 46901		
		W.B. SMITHS ADDITION			

HOWARD COUNTY RECORDS
09 MAR 30 AM 10:58
MARILYN J. SHIRLEY

0034005406

P:\PR21351\CADD\RW\PRPLIST3.DWG 3-29-00 10:41:37 am DIX



RECOMMENDED FOR APPROVAL *Kenneth L. Bowler* 3/30/00
DESIGN ENGINEER DATE

DESIGNED: MAT DRAWN: KJB
CHECKED: DEL CHECKED: DEL

INDIANA DEPARTMENT OF TRANSPORTATION

PROPERTY OWNERS LIST
LOCATION CONTROL
ROUTE SURVEY PLAT

HORIZONTAL SCALE	BRIDGE FILE
N/A	
VERTICAL SCALE	DESIGNATION
N/A	8677420
SURVEY BOOK	SHEETS
ELECTRONIC	6 of 8
CONTRACT	PROJECT
	STP-120-2(007)

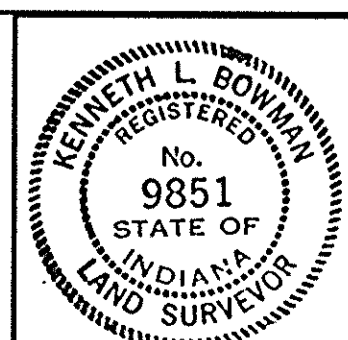
PROPERTY I.D. NUMBER	PARCEL I.D. NUMBERS	PROPERTY OWNER(S)	TAX-PAYER ADDRESS	DEED BOOK	PAGE #
(183)	CK-148A-413 8-126-3K-2	MARTIN, GARY W. & MARY F. PART OF LOT #3 W.B. SMITHS ADDITION	804 W. SYCAMORE ST. KOKOMO, IN 46901	249	2061
(184)	CK-148A-412 8-126-3K-3	LITTLE, LARRY L. PART OF LOT #3 W.B. SMITHS ADDITION	800 W. SYCAMORE ST. KOKOMO, IN 46901	257	556
(185)	CK-148A-445 7-89-17A	WILLIAMS, JACQUELYN S. PART OF LOT #17 J.W. COOPER ADDITION	5437 S. 750 W. RUSSIAVILLE, IN 46979	248	3100
(186)	CK-148A-444 7-89-17B	STEPHENS, PETER A. PART OF LOT #17 J.W. COOPER ADDITION	712 W. SYCAMORE ST. KOKOMO, IN 46901	255	2281
(187)	CK-148A-443 2-103-1B	BENNETT, DONALD GLENN LOT #1 J.W. COOPER ADDITION	706 W. SYCAMORE ST. KOKOMO, IN 46901	263	1393
(188)	CK-148A-442 2-103-1A, 2A	STEPHAN, FRANK M. & CRISSY E. LOT #2 J.W. COOPER ADDITION	702 W. SYCAMORE ST. KOKOMO, IN 46901	263	1242
(189)	CK-148A-441 2-103-2B	DELON, FRED H. & BERNICE	620 W. SYCAMORE ST. KOKOMO, IN 46901	256	238
(190)	CK-148A-440 7-88-14B	HOVARTER, CORA E., A REVOCABLE LIVING TRUST	614 W. SYCAMORE ST. KOKOMO, IN 46901	263	89
(191)	CK-148A-439 7-88-13C	BOLINGER, MARY ANN	600 W. SYCAMORE ST. KOKOMO, IN 46901	262	14
(192)	CK-148A-438 7-88-12C-2	LEWIS, ROBERT C. & MARY N.	534 W. SYCAMORE ST. KOKOMO, IN 46901	225	2463
(193)	CK-148A-437 7-88-12C-1	KENDALL, TERRY LEE & JUDITH N.	524 W. SYCAMORE ST. KOKOMO, IN 46901	253	56
(194)	CK-148A-436 7-88-12D	KENDALL, TERRY LEE & JUDITH N.	524 W. SYCAMORE ST. KOKOMO, IN 46901	253	56
(195)	CK-148A-435 7-88-12E	DUNCAN, CHARLES I. & MARY M.	524 W. SYCAMORE ST. KOKOMO, IN 46901	247	1255
(196)	CK-148A-434 7-88-12G	THE HIGHLAND PARK CHURCH OF KOKOMO, IN, INC.	516 W. SYCAMORE ST. KOKOMO, IN 46901	199	118
(197)	CK-148B-998 9-87-42A	THE HIGHLAND PARK CHURCH OF KOKOMO, IN, INC. LOT #42 MILLS & JONES WESTERN ADDITION	516 W. SYCAMORE ST. KOKOMO, IN 46901	199	118
(198)	CK-148B-997 9-87-41, 42B	THE HIGHLAND PARK CHURCH OF KOKOMO, IN, INC. THRU LOT #41 MILLS & JONES WESTERN ADDITION	516 W. SYCAMORE ST. KOKOMO, IN 46901	211	327
(199)	CK-148B-1017 9-87-40A	KINSEY, JERRY C. LOT #40 MILLS & JONES WESTERN ADDITION	422-424 W. SYCAMORE ST. KOKOMO, IN 46901	262	773
(200)	CK-148B-1016 9-87-39A, 40B	FERGUSON, JAMES F. & TWYLA T. LOT #39 MILLS & JONES WESTERN ADDITION	1000 W. LINCOLN RD. KOKOMO, IN 46902	257	2481
(201)	CK-148B-1015 7-109-87A1, 9-87-39B	ROZZI, CAMILLO L. & JUDITH K. PART OF LOT #39 MILLS & JONES WESTERN ADDITION	412 W. SYCAMORE ST. KOKOMO, IN 46901	261	4026
(202)	CK-148B-1014 7-109-87A-2	ROZZI, CAMILLO L. & JUDITH L. LOT #41 MILLS & JONES WESTERN ADDITION	201 DEVONSHIRE DR. KOKOMO, IN 46901	252	1051

PROPERTY I.D. NUMBER	PARCEL I.D. NUMBERS	PROPERTY OWNER(S)	TAX-PAYER ADDRESS	DEED BOOK	PAGE #
(203)	CK-148B-1013 7-109-87B	ROZZI, CAMILLO L. & JUDITH L.	201 DEVONSHIRE DR. KOKOMO, IN 46901	252	1052
(204)	CK-148B-1010 2-85-106A, 107A	CHALK, TOM H.	306 W. SYCAMORE ST. KOKOMO, IN 46901	261	2769
(205)	CK-147B-701 8-131-9	OWNER NOT LISTED LOT #9 AND PART OF LOT # 8 SIKTBERG'S FIRST SUBDIVISION		N/A	N/A
(206)	CK-148B-1031 7-83-85, 88B, 88A	GARRY F. & REBECCA J. BARLOW LOT #7 AND PART OF LOT #8 SIKTBERG'S FIRST SUBDIVISION		252	2701
(207)	CK-148B-1030 7-83-84C	GARRY F. & REBECCA J. BARLOW PART OF LOT #8 AND LOT #7 SIKTBERG'S FIRST SUBDIVISION		252	2701
(208)	CK-147B-694 8-131-1	DAY, FRANK V. & PHYLLIS J. LOT #1 SIKTBERGS FIRST SUBDIVISION	1815 W. SYCAMORE ST. KOKOMO, IN 46901	238	2210
(209)	CK-147B-695 8-131-2	DAY, FRANK V. & PHYLLIS J. LOT #2 SIKTBERGS FIRST SUBDIVISION	1815 W. SYCAMORE ST. KOKOMO, IN 46901	228	2337
(210)	CK-147B-696 8-131-3	MOOS, JOHN J. & JEAN J. LOT #3 SIKTBERGS FIRST SUBDIVISION	1809 W. SYCAMORE ST. KOKOMO, IN 46901	240	2784
(211)	CK-147B-697 8-131-4	LEWIS, ROBERT C. & MARY H. LOT #4 SIKTBERGS FIRST SUBDIVISION	105 S. FOREST DR. KOKOMO, IN 46901	261	4155
(212)	CK-147B-705 8-131-5	GAINOUS, MAYNARD L. & VIRGINIA LOT #5 SIKTBERGS FIRST SUBDIVISION	106 S. FOREST DR. KOKOMO, IN 46901	255	2013
(213)	CK-147B-706 8-131-6	MEYER, DONALD E. LOT #6 SIKTBERGS FIRST SUBDIVISION	1741 W. SYCAMORE ST. KOKOMO, IN 46901	262	2588
(214)	CK-147B-707 10-120-2B2	MEYER, DONALD E.	1741 W. SYCAMORE ST. KOKOMO, IN 46901	262	2588
(215)	CK-147B-708 10-120-2B3	HEFLIN, JOHN LEWIS & MARJORIE LOUISE	1727 W. SYCAMORE ST. KOKOMO, IN 46901	204	333
(216)	CK-147B-709 10-120-2B1	AMOS, JACK S. & TERESA L.	1715 W. SYCAMORE ST. KOKOMO, IN 46901	241	3291
(217)	CK-147B-710 10-82-A, 10-120-2A	DEL VECCHIO, NICHOLAS P. & CAROLINE B. LOT #A LOT #2A	1711 W. SYCAMORE ST. KOKOMO, IN 46901	252	1141
(218)	CK-147B-711 10-82-B, 10-120-3	MCGUIRE, WILLIAM JR.	1709 W. SYCAMORE ST. KOKOMO, IN 46901	262	2109
(219)	CK-147B-712 10-82-C	BENNETT, EVELYN E. & PATRICIA E.	1703 S. GOYER RD. KOKOMO, IN 46902	254	457
(220)	CK-147B-713 10-82-D	LEES, HAROLD E. & ORGIE V.	1703 W. SYCAMORE ST. KOKOMO, IN 46901	236	2075
(221)	CK-147B-714 10-82-E1, E2 & 10-86-5A1	BRADLEY, PAUL & PATTY L.	1635 W. SYCAMORE ST. KOKOMO, IN 46901	250	2673

PROPERTY I.D. NUMBER	PARCEL I.D. NUMBERS	PROPERTY OWNER(S)	TAX-PAYER ADDRESS	DEED BOOK	PAGE #
(222)	CK-147B-715 10-82-E3	MEHLIG, RAYMOND B. & JULIANA HAMP	1617 W. SYCAMORE ST. KOKOMO, IN 46901	201	493
(223)	CK-147B-726 10-82-F, 10-120-5B	LONGFELLOW, MARION L. & MARY K.	1607 W. SYCAMORE ST. KOKOMO, IN 46901	247	2867
(224)	CK-147B-727 10-82-G	TRUEBLOOD, ENCIL L. & SANDRA SUE	P.O. BOX 3093 KOKOMO, IN 46904-3093	245	2284
(225)	CK-147B-728 10-82-H	BELT, GEORGE R. & SARALYN	1555 W. SYCAMORE ST. KOKOMO, IN 46901	257	537
(226)	CK-147B-729 9-56-1	JANNER, SHANNON & JANNER, DONNA M. LOT #1 VANARSDAL ADDITION	1561 W. SYCAMORE ST. KOKOMO, IN 46901	258	372
(227)	CK-147B-730 9-56-2	BLANCHARD, JANICE B. LOT #2 VANARSDAL ADDITION	1545 W. SYCAMORE ST. KOKOMO, IN 46901	262	425
(228)	CK-147B-731 9-56-3	PORTER, MICHELLE L. LOT #3 VANARSDAL ADDITION	1541 W. SYCAMORE ST. KOKOMO, IN 46901	259	3885
(229)	CK-147B-752 9-56-4	WIREMAN, ALLEN & JANICE R. LOT #4 VANARSDAL ADDITION	1535 W. SYCAMORE ST. KOKOMO, IN 46901	262	1257
(230)	CK-147B-753 9-56-5	T.D.S., INC. LOT #5 VANARSDAL ADDITION	P.O. BOX 266 KOKOMO, IN 46903-0266	252	1341
(231)	CK-147B-754 9-56-6	MARTIN, REBA KAY LOT #6 VANARSDAL ADDITION	1523 W. SYCAMORE ST. KOKOMO, IN 46901	246	138
(232)	CK-147B-755 9-56-7	MARTIN, GRADY L. JR. LOT #7 VANARSDAL ADDITION	1122 S. WEBSTER ST. KOKOMO, IN 46902	237	1148
(233)	CK-147B-756 9-56-8	MARTIN, GRADY L. JR. LOT #8 VANARSDAL ADDITION	1122 S. WEBSTER ST. KOKOMO, IN 46902	237	1148
(234)	CK-147B-757 9-56-9	GIVENS, GARY P. C/O KEY TRUST CO. OF INDIANA LOT #9 VANARSDAL ADDITION	4501 COLUMBUS BLVD. KOKOMO, IN 46901	262	3850
(235)	CK-147B-777 1-4-78A	JOHNSON, JERRY L. LOT #78 AKERS & WHERRETT'S ADDITION	1423 W. SYCAMORE ST. KOKOMO, IN 46901	262	4017
(236)	CK-147B-778 1-4-77	WALKER, BRIAN E. & JANET L. LOT #77 AKERS & WHERRETT'S ADDITION	1403 W. SYCAMORE ST. KOKOMO, IN 46901	256	2450
(237)	CK-147B-779 1-2-8	WALKER, BRIAN E. & JANET L. LOT #78 AKERS & WHERRETT'S ADDITION	1403 W. SYCAMORE ST. KOKOMO, IN 46901	256	2450
(238)	CK-147B-780 1-2-7	WALKER, BRIAN E. & JANET L. LOT #8 AKERS & WHERRETT'S ADDITION	1403 W. SYCAMORE ST. KOKOMO, IN 46901	256	2450
(239)	CK-147B-781 1-2-6	DAVIS, JOSEPH D. & SUZANNE M.	1401 W. SYCAMORE ST. KOKOMO, IN 46901	243	3087
(240)	CK-147B-801 1-2-5	CHENOWETH, RICHARD L. & VICKIE J.	1323 W. SYCAMORE ST. KOKOMO, IN 46901	251	1070
(241)	CK-147B-802 1-2-4	SLOAN, ROLAND LEE & NANCY J.	1319 W. SYCAMORE ST. KOKOMO, IN 46901	235	2111

P:\PR21351\CADD\RW\PRPLIST4.DWG 3-29-00 10:41:58 am DIX

HOWARD COUNTY RECORDER
 0031095406
 MARILYN J. SHERLEY



RECOMMENDED FOR APPROVAL
 Kenneth L. Bowman 3/30/00
 DESIGN ENGINEER DATE
 DESIGNED: MAT DRAWN: KJB
 CHECKED: DEL CHECKED: DEL

INDIANA DEPARTMENT OF TRANSPORTATION
 PROPERTY OWNERS LIST
 LOCATION CONTROL
 ROUTE SURVEY PLAT

HORIZONTAL SCALE N/A	BRIDGE FILE
VERTICAL SCALE N/A	DESIGNATION 8677420
SURVEY BOOK ELECTRONIC	SHEETS 7 of 8
CONTRACT	PROJECT STP-120-2(007)

0034005406

HOWARD COUNTY RECORDS
00 MAR 30 AM 10:59
MARILYN J. SHIRLEY

FEDERAL ROAD DISTRICT NO.	STATE	PROJECT NO.	FISCAL YR.	SHEET NO.	TOTAL SHEETS
5	IND	STP-120-2(007)	2000		

L.A. CODE 3771

PROPERTY I.D. NUMBER	PARCEL I.D. NUMBERS	PROPERTY OWNER(S)	TAX-PAYER ADDRESS	DEED BOOK	PAGE #
(242)	CK-147B-803 1-2-3	WARDEN, TODD A. KELLY D.	1315 W. SYCAMORE ST. KOKOMO, IN 46901	253	2768
(243)	CK-147B-804 1-2-2	DEARDORFF, PHILIP R.	1311 W. SYCAMORE ST. KOKOMO, IN 46901	262	1266
(244)	CK-147B-805 1-2-1A	BUEHLER, MARILYN E.	101 S. PHILLIPS ST. KOKOMO, IN 46901	262	2182
(245)	CK-147A-447 2-77-16	BENSON, HAROLD L. & R. JEAN	1235 W. SYCAMORE ST. KOKOMO, IN 46901	261	460
(246)	CK-148A-448 2-77-15	WALKER, TERRI LOUISE & WALKER, GRACE LOUISE LOT #15	1225 W. SYCAMORE ST. KOKOMO, IN 46901	256	1279
(247)	CK-148A-449 2-77-14	WALKER, TERRI LOUISE & WALKER, GRACE LOUISE LOT #14	1225 W. SYCAMORE ST. KOKOMO, IN 46901	256	1279
(248)	CK-148A-450 2-77-13	WOLF, BETTIE AILEEN & KING, SANDRA LEE LOT #13	1221 W. SYCAMORE ST. KOKOMO, IN 46901	262	2321
(249)	CK-148A-451 2-77-12	GOODNIGHT, JIMMY L. & BRENDA S. LOT #12	1217 W. SYCAMORE ST. KOKOMO, IN 46901	261	2537
(250)	CK-148A-452 2-77-11	SNODGRASS, CYNTHIA L. LOT #11	1215 W. SYCAMORE ST. KOKOMO, IN 46901	259	1877
(251)	CK-148A-453 2-77-9A, 10A	BASHAM, JERRY L. & CONSTANCIA R. LOT #9 & 10	1207 W. SYCAMORE ST. KOKOMO, IN 46901	243	3332
(252)	CK-148A-464 2-76-8A	MOOS, KIMBERLY ANNE LOT #8	102 KINGSTON RD. KOKOMO, IN 46901	248	2138
(253)	CK-148A-465 2-76-7A, 7C	DUNN, GEORGE E. & MILDRED LOT #7	1117 W. SYCAMORE ST. KOKOMO, IN 46901	199	30
(254)	CK-148A-466 2-76-6	COALBURN, DEWEY F. & CAROLEE M. LOT #6	1115 W. SYCAMORE ST. KOKOMO, IN 46901	261	833
(255)	CK-148A-467 2-76-5	BOURFF, DAN L. & DONALD A. & FIRST NATIONAL BANK, CO-TRUSTEES OF THE MARY KATHERINE BOURFF TRUST LOT #5	1109 W. SYCAMORE ST. KOKOMO, IN 46901	259	2678
(256)	CK-148A-468 2-76-4	HERR, LEONARD B. & JUDY A. LOT #4	1105 W. SYCAMORE ST. KOKOMO, IN 46901	231	2842
(257)	CK-148A-469 2-76-3	SMITH, CHRISTOPHER B. & SUSAN E. LOT #3	1027 W. SYCAMORE ST. KOKOMO, IN 46901	255	3301
(258)	CK-148A-470 2-76-2	MORROW, BRIAN C. & HEATHER LOT #2	1023 W. SYCAMORE ST. KOKOMO, IN 46901	262	3485
(259)	CK-148A-471 2-76-1	PRESTON, JERRY L. & CHERYL S. LOT #1	1019 W. SYCAMORE ST. KOKOMO, IN 46901	258	786
(260)	CK-148A-482 10-90-A	HINDS, AUBREY G. & H. BERNICE	1011 W. SYCAMORE ST. KOKOMO, IN 46901	237	3281
(261)	CK-148A-483 10-90-B	BASS, KEVIN H. & JANET E.	1007 W. SYCAMORE ST. KOKOMO, IN 46901	253	2958

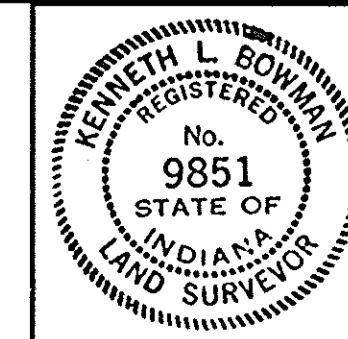
PROPERTY I.D. NUMBER	PARCEL I.D. NUMBERS	PROPERTY OWNER(S)	TAX-PAYER ADDRESS	DEED BOOK	PAGE #
(262)	CK-148A-484 10-90-C	GRANT, WAYNE & JOAN	111 S. MCCANN ST. KOKOMO, IN 46901	242	1924
(263)	CK-148A-488 6-111-1A	HURST, HERBERT & CAROL W. LOT #1	919 W. SYCAMORE ST. KOKOMO, IN 46901	244	86
(264)	CK-148A-489 6-111-2	COTHERN, PAUL JR. & MARY K. LOT #2	917 W. SYCAMORE ST. KOKOMO, IN 46901	250	2016
(265)	CK-148A-490 6-111-3	TICKFER, DAVID S. & TAMMY R. LOT #3	911 W. SYCAMORE ST. KOKOMO, IN 46901	256	976
(266)	CK-148A-491 6-111-4	WYMAN, MARGUERITE C. LOT #4	907 W. SYCAMORE ST. KOKOMO, IN 46901	261	1066
(267)	CK-148A-493 10-88-B	BOWER, STEVEN C.	901 W. SYCAMORE ST. KOKOMO, IN 46901	254	831
(268)	CK-148A-494 10-88-F1 & F2	GUERRE, ROBERT & JOYCE	825 W. SYCAMORE ST. KOKOMO, IN 46901	N/A	N/A
(269)	CK-148A-495 10-88-D	FERRELL, PAULA A.	819 W. SYCAMORE ST. KOKOMO, IN 46901	262	498
(270)	CK-148A-496 10-88-E	COFFMAN, MARK A. & BRENDA S.	809 W. SYCAMORE ST. KOKOMO, IN 46901	256	2550
(271)	CK-148A-509 10-89-1	CAMERON, WALTER E. & ROSEMARIE	717 W. SYCAMORE ST. KOKOMO, IN 46901	258	1042
(272)	CK-148A-510 10-89-2A	CAMERON, WALTER E. & ROSEMARIE	717 W. SYCAMORE ST. KOKOMO, IN 46901	258	1042
(273)	CK-148A-511 10-89-3	CHATMAN, KAY LYNN	713 W. SYCAMORE ST. KOKOMO, IN 46901	259	3918
(274)	CK-148A-512 10-89-4A1	HUSKINS, MARK A. & REBECCA; ADAMS, DONALD R.	707 W. SYCAMORE ST. KOKOMO, IN 46901	257	3471
(275)	CK-148A-513 10-89-5	JONES, DAVID P. & SUSAN D.	703 W. SYCAMORE ST. KOKOMO, IN 46901	258	1016
(276)	CK-148A-514 10-89-6A, 7-101-63A1	KELLAR, KIMBERLY S. & LEWIS, TAWNYA N.	625 W. SYCAMORE ST. KOKOMO, IN 46901	262	1978
(277)	CK-148A-515 7-101-63B1	LOGSDON, J. KERRY & STEPHANIE G.	619 W. SYCAMORE ST. KOKOMO, IN 46901	262	764
(278)	CK-148A-516 7-101-63C	POST, DAVID J.	615 W. SYCAMORE ST. KOKOMO, IN 46901	258	4334
(279)	CK-148A-517 7-101-63D	CATRON, JAMES L.	3985 GLEN MOOR WAY KOKOMO, IN 46902	251	1548
(280)	CK-148A-518 7-101-63E-1	LAMBERT, WILLIAM P.; WILLIAMS, DANIEL R.; WILLIAMS, KATHERINE L.	P.O. BOX 627 KOKOMO, IN 46903-0627	257	3426
(281)	CK-148A-519 7-101-62A	LEWIS, ROBERT C., SR. & MARY H.; LEWIS, ROBERT C., JR. & PAMELA J.	534 W. SYCAMORE ST. KOKOMO, IN 46901	235	824

PROPERTY I.D. NUMBER	PARCEL I.D. NUMBERS	PROPERTY OWNER(S)	TAX-PAYER ADDRESS	DEED BOOK	PAGE #
(282)	CK-148A-520 7-101-62B1	LACEY, HAROLD ELSWORTH, JR. & ZELLA FALLEN	6556 STATE ROAD 18 EAST GALVESTON, IN 46932	261	3390
(283)	CK-148A-521 7-101-62C1	FERGUSON, KATHY J.	535 W. SYCAMORE ST. KOKOMO, IN 46901	256	2657
(284)	CK-148A-522 7-101-62D & 8-69-1A	CHAPMAN, RANDALL G.	1504 S. ARMSTRONG ST. KOKOMO, IN 46902	248	2193
(285)	CK-148A-523 8-69-2A	YOUNG, JOSEPH L.	1406 S. MAIN ST. KOKOMO, IN 46902	248	503
(286)	CK-148A-524 8-69-3B	SYCAMORE PROPERTIES, A PARTNERSHIP OF HOWARD CO., IN	PO BOX 958 KOKOMO, IN 46903-0958	243	1477
(287)	CK-148A-525 7-100-60A2	SYCAMORE PROPERTIES, A PARTNERSHIP OF HOWARD CO., IN	PO BOX 958 KOKOMO, IN 46903-0958	243	1477
(288)	CK-148A-526 7-100-60B	ALLEN, WAYNE E. & JANE	511 W. SYCAMORE ST. KOKOMO, IN 46901	233	894
(289)	CK-148B-1072 7-99-59A	YOUNG, KATHLEEN A. & RYAN, MARK A. JOINT TENANTS w/RIGHTS OF SURVIVORSHIP	503 W. SYCAMORE ST. KOKOMO, IN 46901	262	167
(290)	CK-148B-1073 7-99-59B	YOUNG, KATHLEEN A. & RYAN, MARK A. JOINT TENANTS w/RIGHTS OF SURVIVORSHIP	503 W. SYCAMORE ST. KOKOMO, IN 46901	262	167
(291)	CK-148B-1075 7-99-57A, 58 & 59C	RAQUET, STEVEN K. & PAULA A.	PO BOX 1162 KOKOMO, IN 46903-1162	261	4179
(292)	CK-148B-1076 7-99-56A1, 56B1	KOKOMO MEDICAL ARTS BUILDING, A PARTNERSHIP OF FULTON CO., IN	2225 WESTSIDE DR. ROCHESTER, IN 46975	258	3903
(293)	CK-148B-1078 7-99-56B2, 56C1 & 56D1	ELLIS, RICHARD CARTWRIGHT	1320 W. MARKLAND AVE. KOKOMO, IN 46901	254	2359
(294)	CK-148B-1079 7-119-103, 104A	ELLIS, RICHARD CARTWRIGHT	1320 W. MARKLAND AVE. KOKOMO, IN 46901	254	2359
(295)	CK-148B-2284 9-142-1	ROBERT KAPLAN TRUST	1000 MARKLAND AVE. ST. LOUIS, MO 63110	258	4238
(296)	CK-147A-91 3-125-1	NORMAN D. & BETTY J. HILL LOT #1 FOREST PARK EXTENSION SECTION 1	101 N BERKLEY KOKOMO, IN 46901	249	1447
(297)	CK-148B-1101 7-83-92	LOWELL W. & DONNA J. DALE LOT#302 AND PART OF LOT # 301 FOREST PARK ADDITION	116 N BERKLEY KOKOMO, IN 46901	258	1463
(298)	CK-148B-1102 7-83-93A	WILLIAM LAMBERT ROSENTHAL'S ADDITION	141 ORCHARD LANE KOKOMO, IN 46961	247	8152
(299)	CK-148A-374 8-29-7AT09	CURTIS C. & SHIRLEY D. WELKE LOT #9 MARY C. PHILIPS ADDITION	215 N. WASHINGTON ST. KOKOMO, IN 46901	258	0169
(300)	CK-146B-340 9-97-1B	ROY L. CRUME LOT# 13 SECTION 1 SYCAMORE VILLAGE ADDITION		263	405
(301)	CE-146A-34 C-33-1A-6	THOMAS C. & TODD H. HEARN	922 N. 300W KOKOMO, IN 46901	261	1399
(302)	CK-147B-763 2-67-1A1B	DELMAR A. & JANICE E. SMITH CLOVERLEAF SUBDIVISION	111 S WESTERN AVE. KOKOMO, IN 46901	250	1868

HOWARD COUNTY RECORDS
00 MAR 30 AM 10:59
MARILYN J. SHIRLEY

0034005406

P:\PR21351\CADD\RW\PRPLUST5.DWG 3-29-00 10:42:18 am DIX



RECOMMENDED FOR APPROVAL *Kenneth L. Bowman 3/26/00*
DESIGN ENGINEER DATE

DESIGNED: MAT DRAWN: KJB
CHECKED: DEL CHECKED: DEL

INDIANA DEPARTMENT OF TRANSPORTATION

PROPERTY OWNERS LIST
LOCATION CONTROL
ROUTE SURVEY PLAT

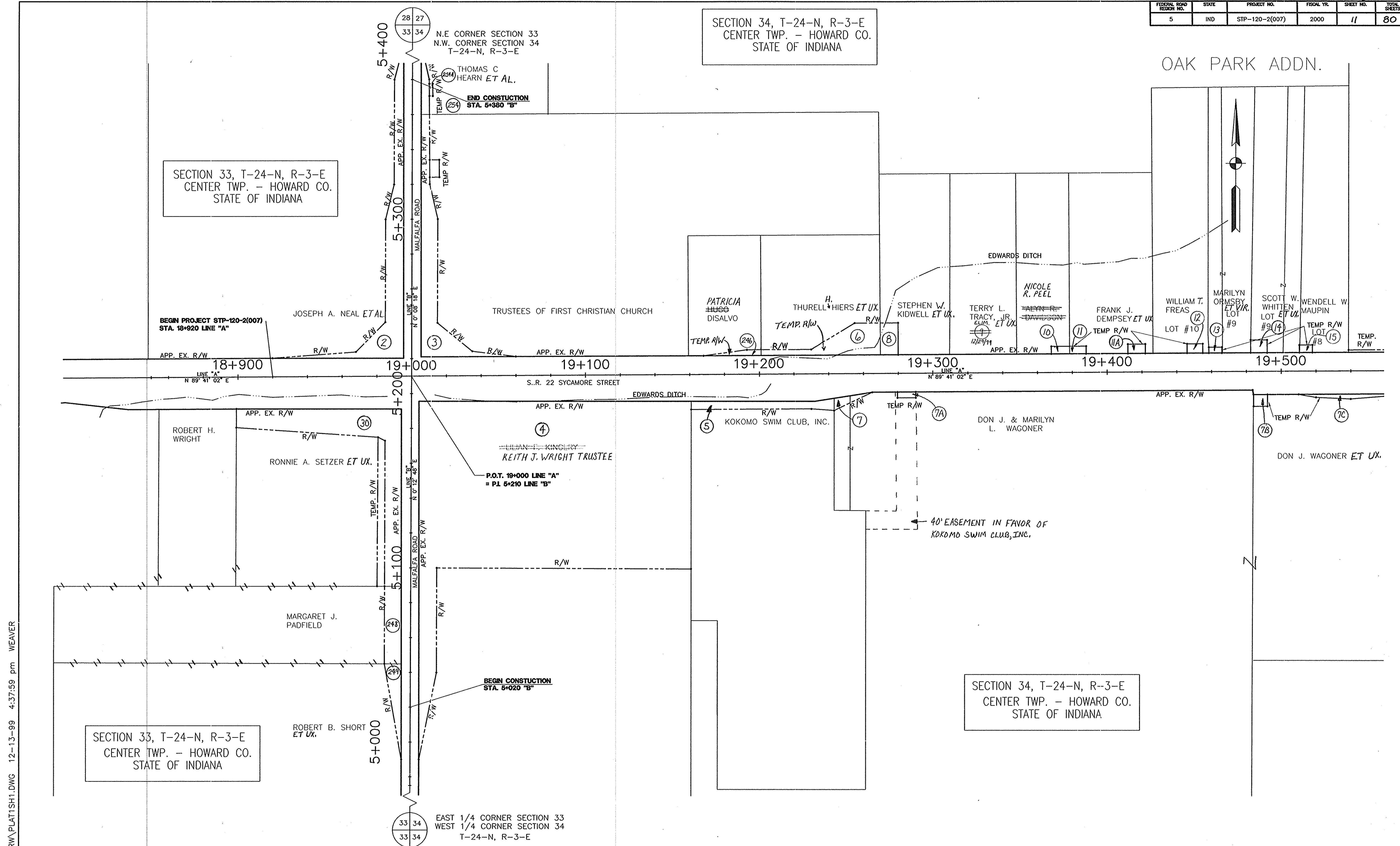
HORIZONTAL SCALE N/A	BRIDGE FILE
VERTICAL SCALE N/A	DESIGNATION 8677420
SURVEY BOOK ELECTRONIC CONTRACT	SHEETS 9 of 9 PROJECT STP-120-2(007)

FEDERAL ROAD REGION NO.	STATE	PROJECT NO.	FISCAL YR.	SHEET NO.	TOTAL SHEETS
5	IND	STP-120-2(007)	2000	11	80

SECTION 34, T-24-N, R-3-E
CENTER TWP. - HOWARD CO.
STATE OF INDIANA

SECTION 33, T-24-N, R-3-E
CENTER TWP. - HOWARD CO.
STATE OF INDIANA

OAK PARK ADDN.



P:\PR21351\CADD\RW\PLAT1SH1.DWG 12-13-99 4:37:59 pm WEAVER

SECTION 33, T-24-N, R-3-E
CENTER TWP. - HOWARD CO.
STATE OF INDIANA

SECTION 34, T-24-N, R-3-E
CENTER TWP. - HOWARD CO.
STATE OF INDIANA



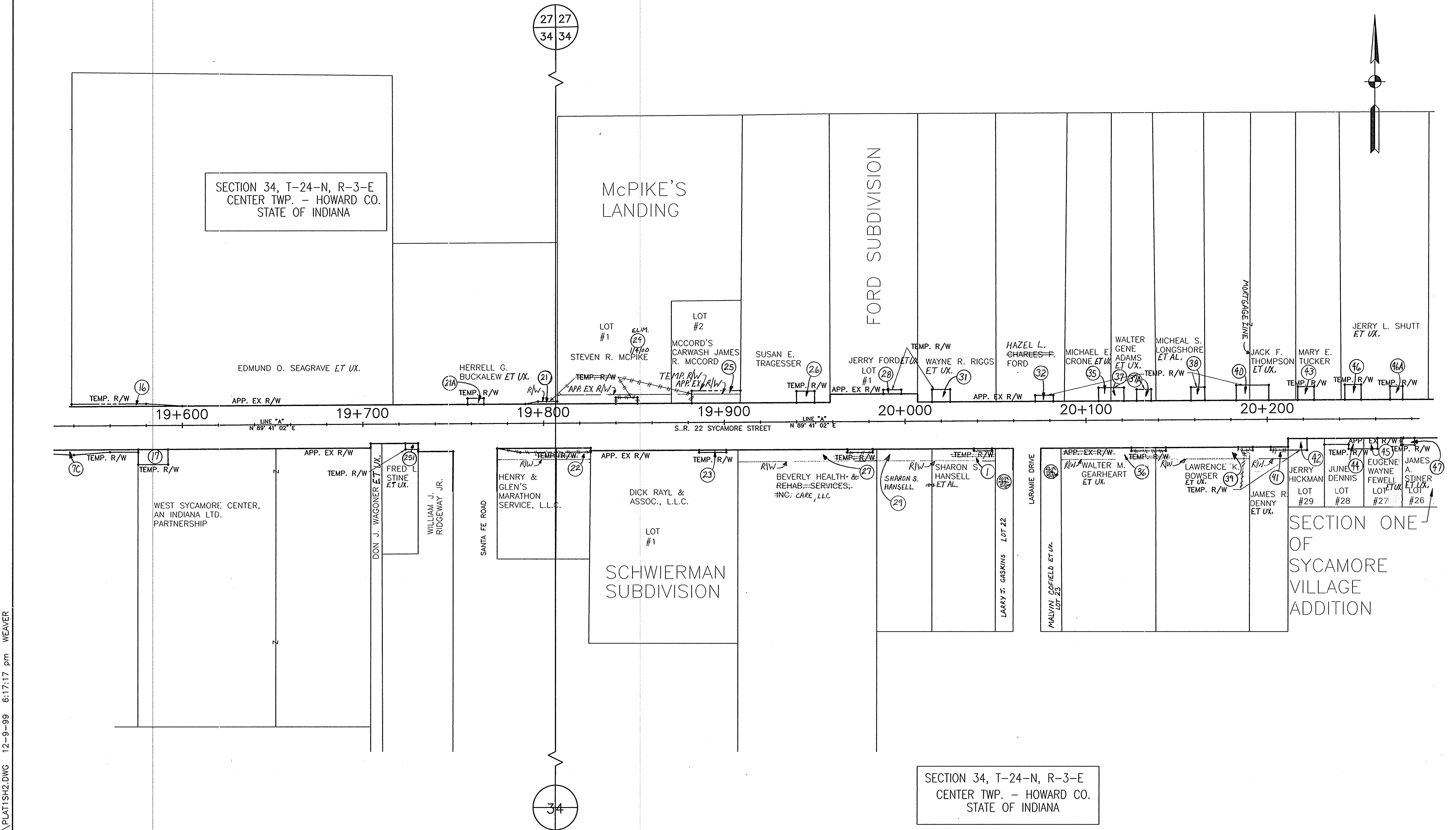
RECOMMENDED FOR APPROVAL	<i>L.N.J. Dolan</i>	12/14/99
DESIGNED:	MAT	DRAWN: DWD
CHECKED:	AJD	CHECKED: AJD

INDIANA
DEPARTMENT OF TRANSPORTATION

"PLAT 1"
S.R. 22 PAVEMENT REHAB (3R/4R)
KOKOMO, INDIANA

HORIZONTAL SCALE	BRIDGE FILE
1:1000	
VERTICAL SCALE	DESIGNATION
NONE	8677420
SURVEY BOOK	SHEETS
ELECTRONIC	11 of 80
CONTRACT	PROJECT
	STP-120-2(007)

FEDERAL ROAD DISTRICT NO.	STATE	PROJECT NO.	FISCAL YR.	SHEET NO.	TOTAL SHEETS
5	IND	STP-120-2(007)	2000	12	80



P:\PR21351\CADD\RW\PLAT1SH2.DWG 12-9-99 6:17:17 pm WEAVER

SECTION 34, T-24-N, R-3-E
 CENTER TWP. - HOWARD CO.
 STATE OF INDIANA



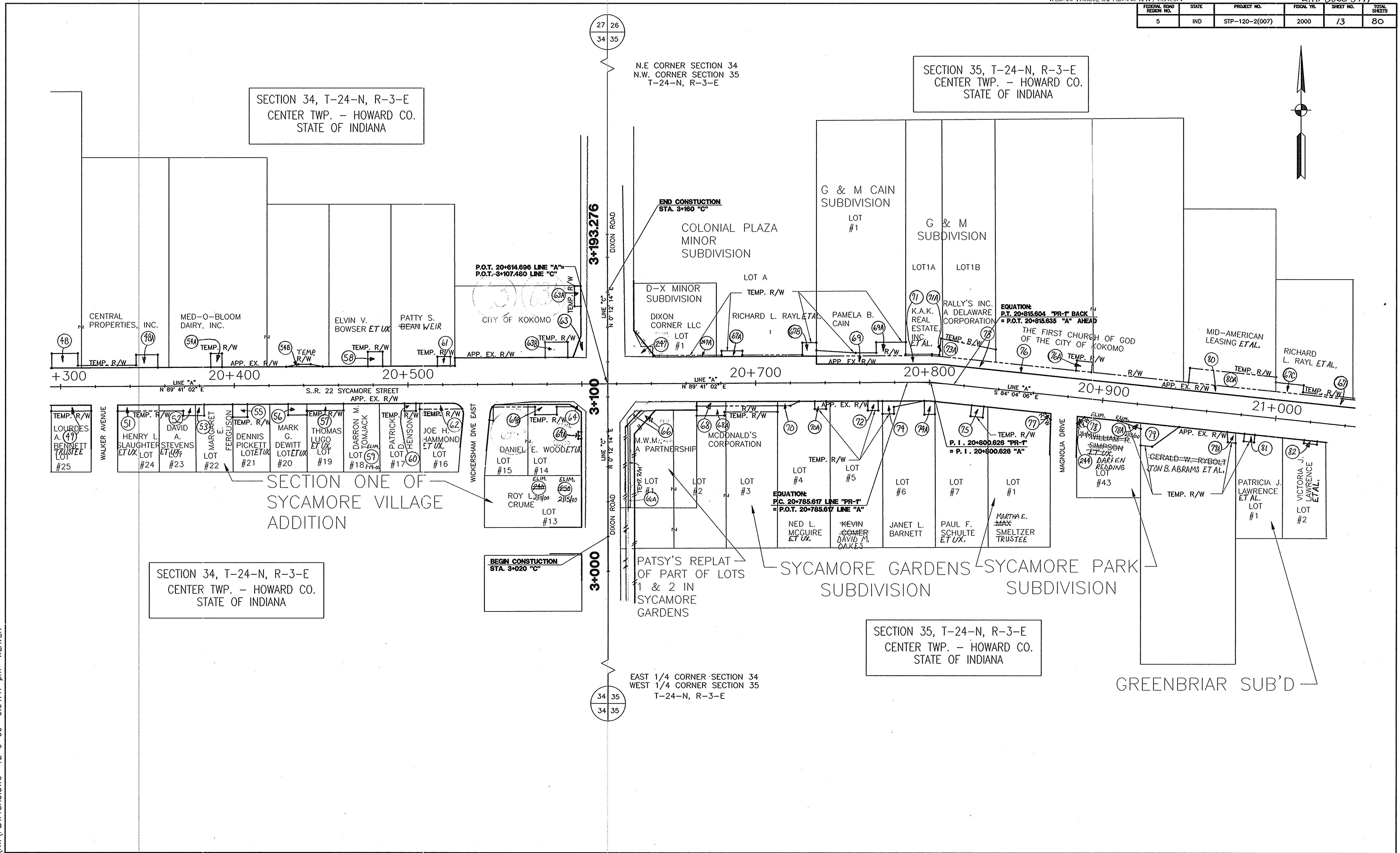
RECOMMENDED FOR APPROVAL	<i>Ryan J. Delaney</i>	12/14/99	DATE
DESIGNED:	MAT	DRAWN:	DWD
CHECKED:	AJD	CHECKED:	AJD

INDIANA DEPARTMENT OF TRANSPORTATION

"PLAT 1"
 S.R. 22 PAVEMENT REHAB (3R/4R)
 KOKOMO, INDIANA

HORIZONTAL SCALE	BRIDGE FILE
1:1000	
VERTICAL SCALE	DESIGNATION
NONE	8677420
SURVEY BOOK	SHEETS
ELECTRONIC	12 of 80
CONTRACT	PROJECT
	STP-120-2(007)

FEDERAL ROAD DISTRICT NO.	STATE	PROJECT NO.	FISCAL YR.	SHEET NO.	TOTAL SHEETS
5	IND	STP-120-2(007)	2000	13	80



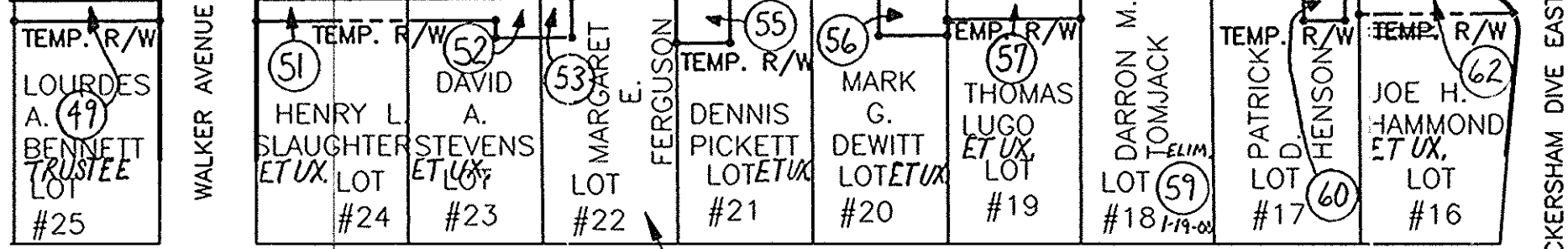
P:\PR21351\CADD\RW\PLAT1SH3.DWG 12-9-99 6:04:47 pm WEAVER

SECTION 34, T-24-N, R-3-E
CENTER TWP. - HOWARD CO.
STATE OF INDIANA

SECTION 35, T-24-N, R-3-E
CENTER TWP. - HOWARD CO.
STATE OF INDIANA

SECTION 34, T-24-N, R-3-E
CENTER TWP. - HOWARD CO.
STATE OF INDIANA

SECTION 35, T-24-N, R-3-E
CENTER TWP. - HOWARD CO.
STATE OF INDIANA



SECTION ONE OF
SYCAMORE VILLAGE
ADDITION

BEGIN CONSTRUCTION
STA. 3+020 "C"

EAST 1/4 CORNER SECTION 34
WEST 1/4 CORNER SECTION 35
T-24-N, R-3-E



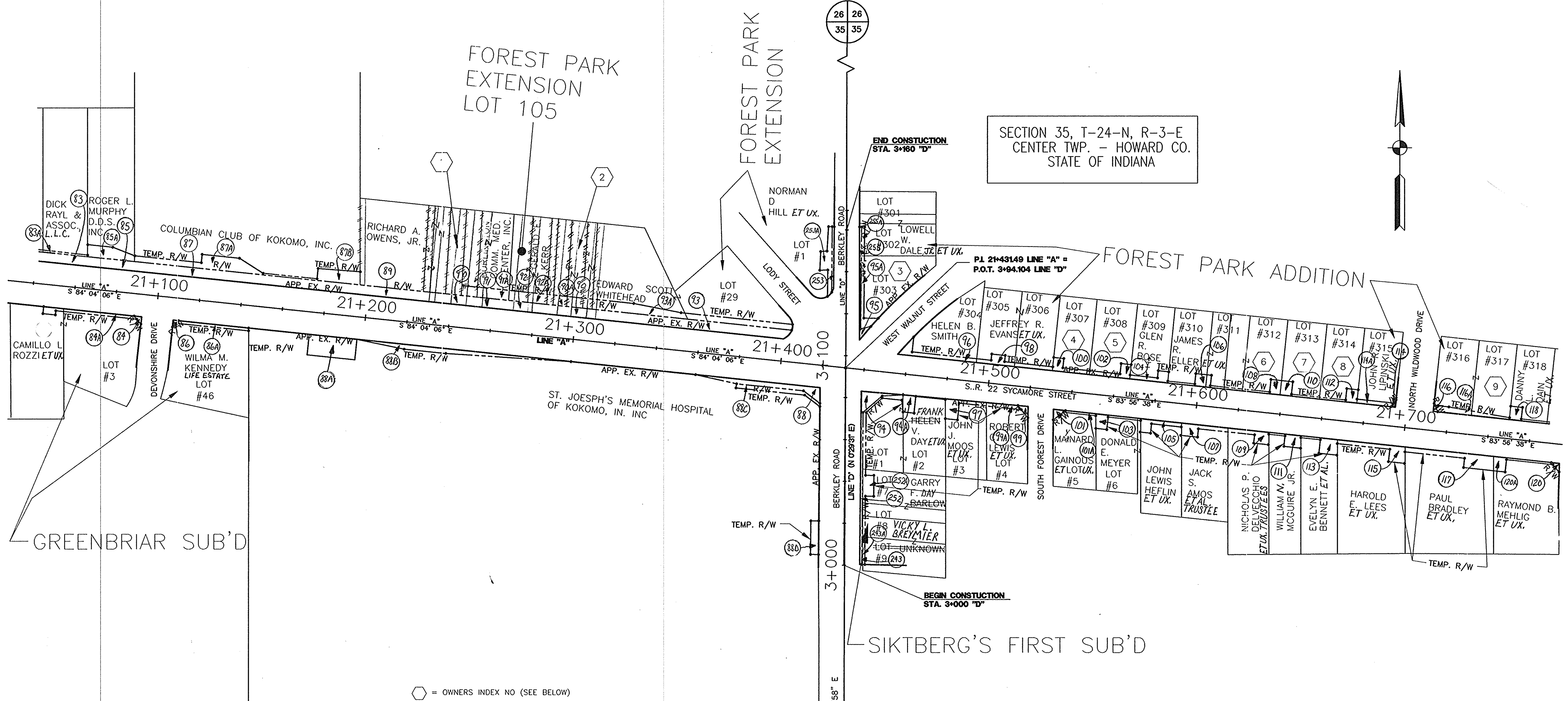
RECOMMENDED FOR APPROVAL	<i>Alan J. Delaney</i>	DATE	12/14/99
DESIGNED:	MAT	DRAWN:	DWD
CHECKED:	AJD	CHECKED:	AJD

INDIANA DEPARTMENT OF TRANSPORTATION

"PLAT 1"
S.R. 22 PAVEMENT REHAB (3R/4R)
KOKOMO, INDIANA

HORIZONTAL SCALE	BRIDGE FILE
1:1000	
VERTICAL SCALE	DESIGNATION
NONE	8677420
SURVEY BOOK	SHEETS
ELECTRONIC	13 of 80
CONTRACT	PROJECT
	STP-120-2(007)

FEDERAL ROAD REGION NO.	STATE	PROJECT NO.	FISCAL YR.	SHEET NO.	TOTAL SHEETS
5	IND	STP-120-2(007)	2000	14	80



SECTION 35, T-24-N, R-3-E
CENTER TWP. - HOWARD CO.
STATE OF INDIANA

SECTION 35, T-24-N, R-3-E
CENTER TWP. - HOWARD CO.
STATE OF INDIANA

GREENBRIAR SUB'D

○ = OWNERS INDEX NO (SEE BELOW)

FOREST PARK EXTENSION

INDEX NO.	OWNER	LOT NO.
1	LEONARD D. HOLLINGSWORTH ET UX.	105
2	LEONARD D. HOLLINGSWORTH ET UX.	105

FOREST PARK ADDITION

INDEX NO.	OWNER	LOT NO.
3	WAYNE L. HEFFNER LESAA, SMITH	105
4	JOHN P. O'DONNELL ET UX.	307
5	MARIAN L. GABRIEL	308
6	JANE HINSHAW BRINEY ET AL.	312
7	RONALD L. HUNLEY ET AL.	313
8	C. PAULINE BERRY	314
9	ROBERTA A. WERTZ	317

P:\PR21351\CADD\RW\PLATISH4.DWG 12-14-99 8:57:46 am WEAVER

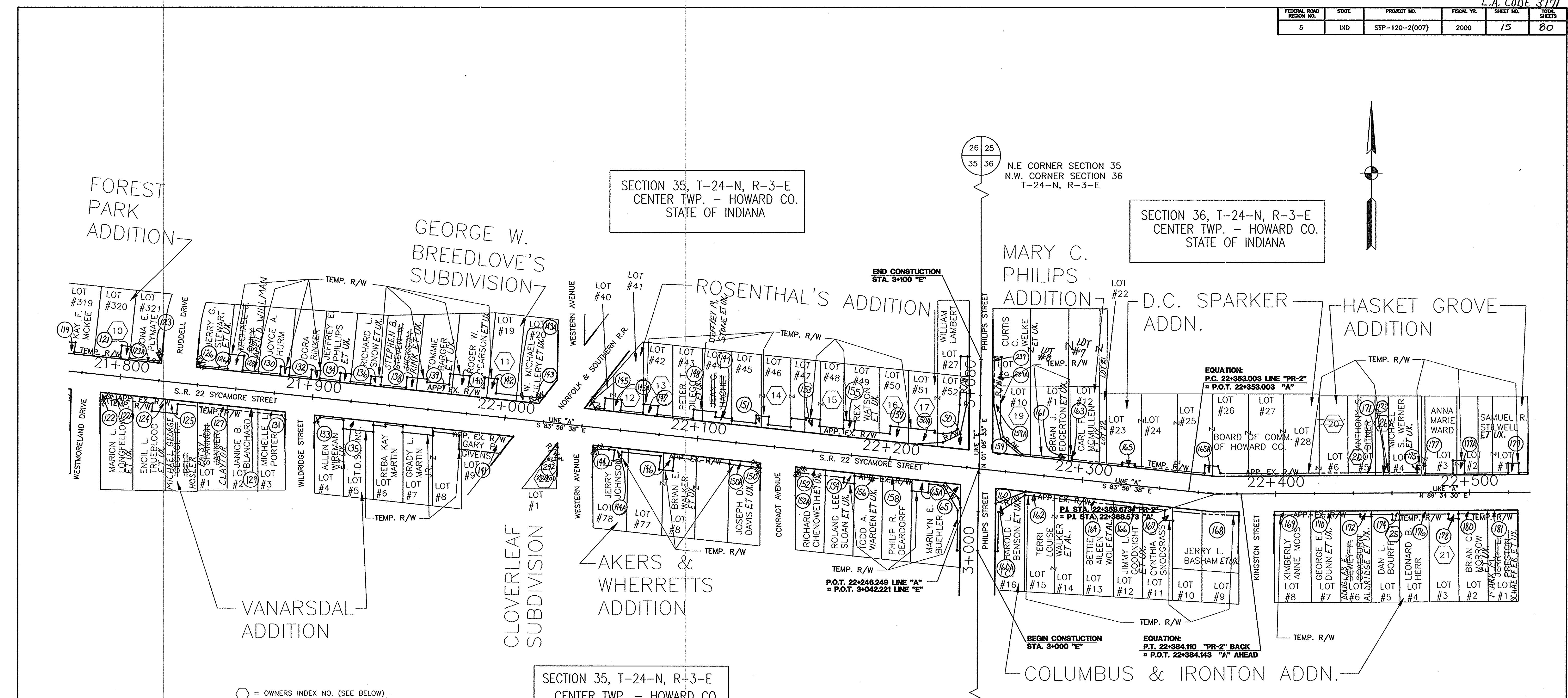


RECOMMENDED FOR APPROVAL
 Alan J. DeLuca 12/14/99
 DESIGN ENGINEER DATE
 DESIGNED: MAT DRAWN: DWD
 CHECKED: AJD CHECKED: AJD

INDIANA DEPARTMENT OF TRANSPORTATION
 "PLAT 1"
 S.R. 22 PAVEMENT REHAB (3R/4R)
 KOKOMO, INDIANA

HORIZONTAL SCALE 1:1000	BRIDGE FILE
VERTICAL SCALE NONE	DESIGNATION 8677420
SURVEY BOOK ELECTRONIC	SHEETS 14 of 80
CONTRACT	PROJECT STP-120-2(007)

FEDERAL ROAD DISTRICT NO.	STATE	PROJECT NO.	FISCAL YR.	SHEET NO.	TOTAL SHEETS
5	IND	STP-120-2(007)	2000	15	80



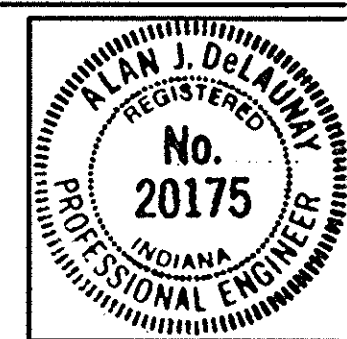
○ = OWNERS INDEX NO. (SEE BELOW)

INDEX NO.	OWNER	LOT NO.
10	JAMIE D. BRANNON ET AL.	320
11	MARK ALLEN CUTTRISS ET UX.	19
12	CHRISTOPHER ALAN HUMMEL ET UX.	40&41
13	JOSEPH P. KAZLAS/CHRISTOPHER ALAN HUMMEL ET UX.	42
14	HENRIETTA MARKIEWICZ/JOSEPH P. KAZLAS	45,46&47
15	HENRIETTA MARKIEWICZ	47,48&49
16	JEFFREY A. COLLINS/PHILIP K. OWLER	50
17	WILLIAM P. LAMBERT/JEFFREY A. COLLINS	51&52

FEDERAL HOME LOAN MORTGAGE CORPORATION

INDEX NO.	OWNER	LOT NO.
19	BARBARA A. BOTHAST	10
20	EDMUND C. BURKHARD JR.	6
21	CHRISTOPHER B. SMITH ET UX.	3
25	DONL. BOURFF ET AL. CO. TRUSTEES	CLOVERLEAF SUBDIVISION
22	DELMAR A. SMITH ET UX.	1
26	ANTHONY S. BITNER	

P:\PR21351\CADD\RW\PLAT15H5.DWG 12-20-99 8:52:14 pm BLACK



RECOMMENDED FOR APPROVAL	<i>Alan J. DeLaney</i>	12/14/99
DESIGNED:	MAT	DRAWN: DWD
CHECKED:	AJD	CHECKED: AJD

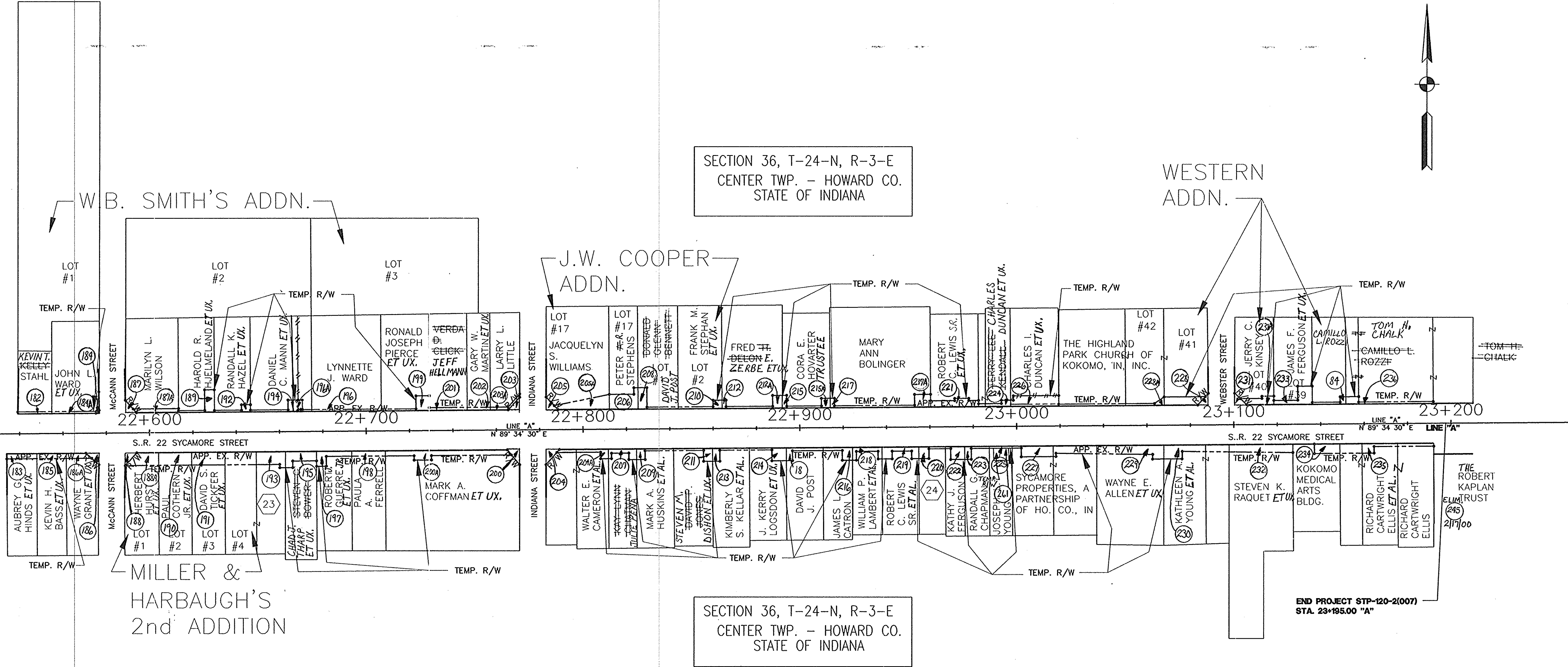
INDIANA DEPARTMENT OF TRANSPORTATION

"PLAT 1"
S.R. 22 PAVEMENT REHAB (3R/4R)
KOKOMO, INDIANA

HORIZONTAL SCALE	BRIDGE FILE
1:1000	
VERTICAL SCALE	DESIGNATION
NONE	8677420
SURVEY BOOK	SHEETS
ELECTRONIC	15 of 80
CONTRACT	PROJECT
	STP-120-2(007)

FEDERAL ROAD REGION NO.	STATE	PROJECT NO.	FISCAL YR.	SHEET NO.	TOTAL SHEETS
5	IND	STP-120-2(007)	2000	16	80

P:\PR21351\CADD\RW\PLAT1SH6.DWG 12-14-99 8:55:53 am WEAVER



SECTION 36, T-24-N, R-3-E
CENTER TWP. - HOWARD CO.
STATE OF INDIANA

SECTION 36, T-24-N, R-3-E
CENTER TWP. - HOWARD CO.
STATE OF INDIANA

○ = OWNERS INDEX NO (SEE BELOW)

MILLER & HARBAUGH'S 2nd ADDITION

INDEX NO.	OWNER	LOT NO.	INDEX NO.	OWNER	LOT NO.
23	MARGUERITE C. WYMAN	4	24	HAROL ELLSWORTH LACEY JR.	NA



RECOMMENDED FOR APPROVAL	<i>Alan J. Conway</i>	DATE	12/14/99
DESIGNED:	MAT	DRAWN:	DWD
CHECKED:	AJD	CHECKED:	AJD

INDIANA DEPARTMENT OF TRANSPORTATION

"PLAT 1"
S.R. 22 PAVEMENT REHAB (3R/4R)
KOKOMO, INDIANA

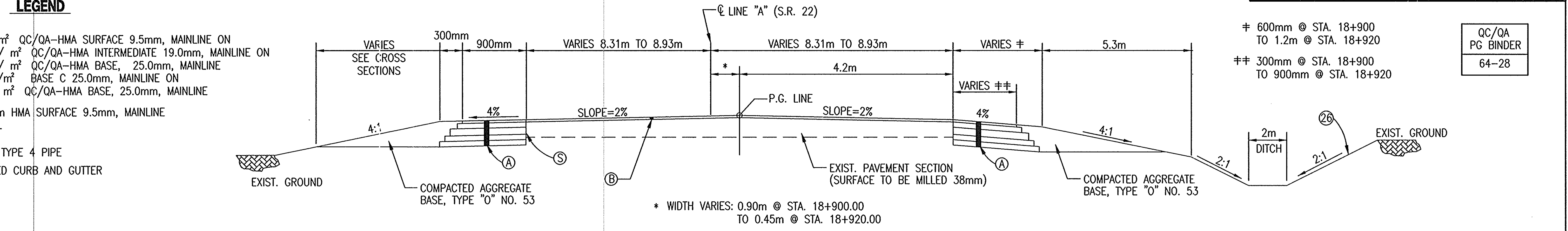
HORIZONTAL SCALE	BRIDGE FILE
1:1000	
VERTICAL SCALE	DESIGNATION
NONE	8677420
SURVEY BOOK	SHEETS
ELECTRONIC	16 of 80
CONTRACT	PROJECT
	STP-120-2(007)

FEDERAL ROAD REGION NO.	STATE	PROJECT NO.	FISCAL YR.	SHEET NO.	TOTAL SHEETS
5	IND	STP-120-2(007)	2000	17	80

LEGEND

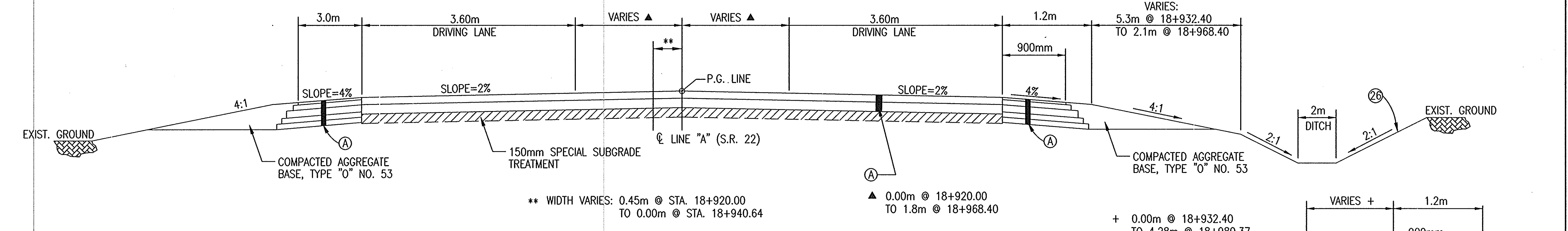
- (A) 75 Kg/m² QC/QA-HMA SURFACE 9.5mm, MAINLINE ON
165 Kg/m² QC/QA-HMA INTERMEDIATE 19.0mm, MAINLINE ON
240 Kg/m² QC/QA-HMA BASE, 25.0mm, MAINLINE
165 Kg/m² BASE C 25.0mm, MAINLINE ON
180Kg/m² QC/QA-HMA BASE, 25.0mm, MAINLINE
- (B) 90 Kg/m HMA SURFACE 9.5mm, MAINLINE
- (S) SAW CUT
- (U) 150mm TYPE 4 PIPE
- (15) COMBINED CURB AND GUTTER
- (26) SODDING

QC/QA PG BINDER 64-28



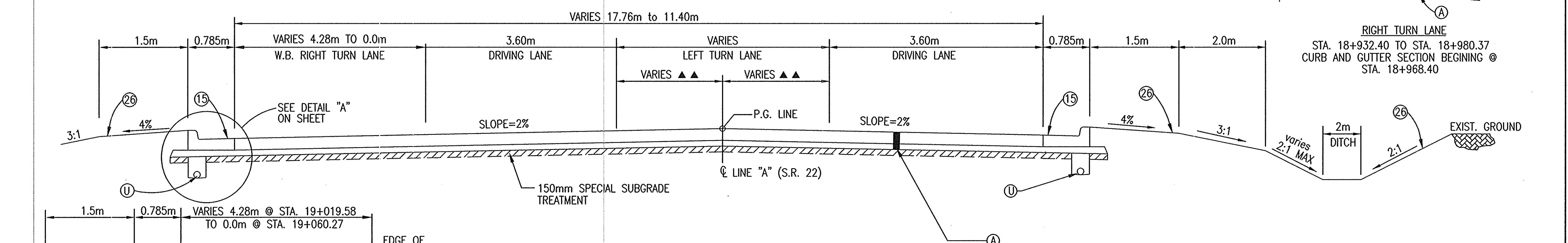
STATE ROAD 22

STATION 18+900.00 "A" TO 18+920.00 "A"



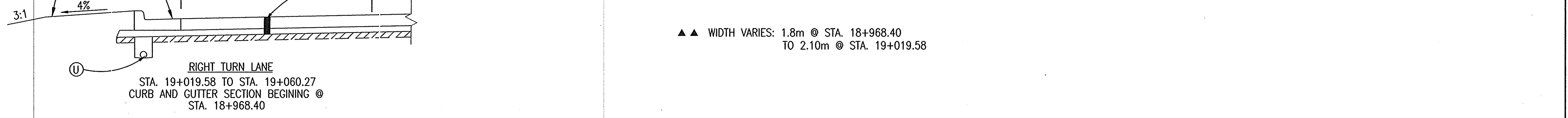
STATE ROAD 22

STATION 18+920.00 "A" TO 18+968.40 "A"



STATE ROAD 22

STATION 18+968.40 "A" TO 19+060.27 "A"



RECOMMENDED FOR APPROVAL	DATE
<i>Alan J. DeLaney</i>	12/14/99
DESIGNED: MAT	DRAWN: DWD
CHECKED: AJD	CHECKED: AJD

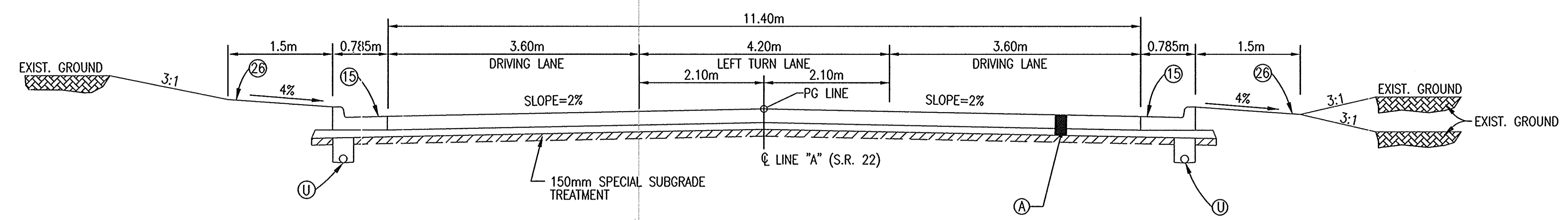
INDIANA DEPARTMENT OF TRANSPORTATION
TYPICAL ROAD SECTIONS - STATE ROAD 22
STATE ROAD 22 KOKOMO IN.

HORIZONTAL SCALE	BRIDGE FILE
VERTICAL SCALE	DESIGNATION
SURVEY BOOK	SHEETS
ELECTRONIC	17 of 80
CONTRACT	PROJECT
	STP-120-2(007)

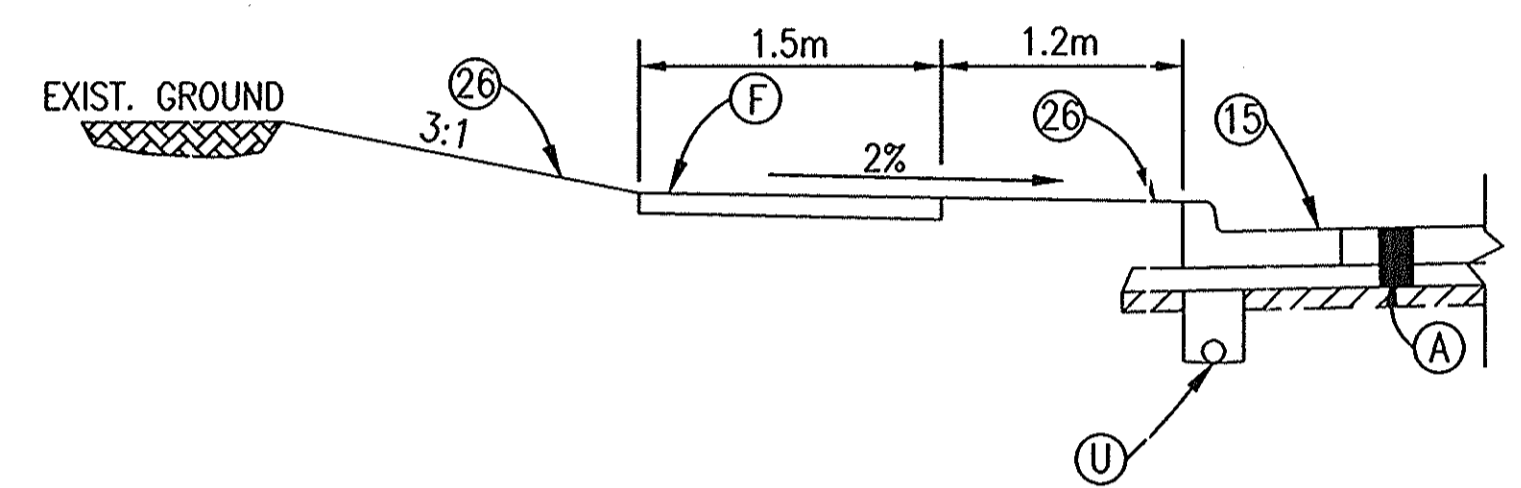
P:\PR21351\CADD\TYPSEC1.DWG 12-9-99 9:47:45 am BLACK

FEDERAL ROAD REGION NO.	STATE	PROJECT NO.	FISCAL YR.	SHEET NO.	TOTAL SHEETS
5	IND	STP-120-2(007)	2000	18	80

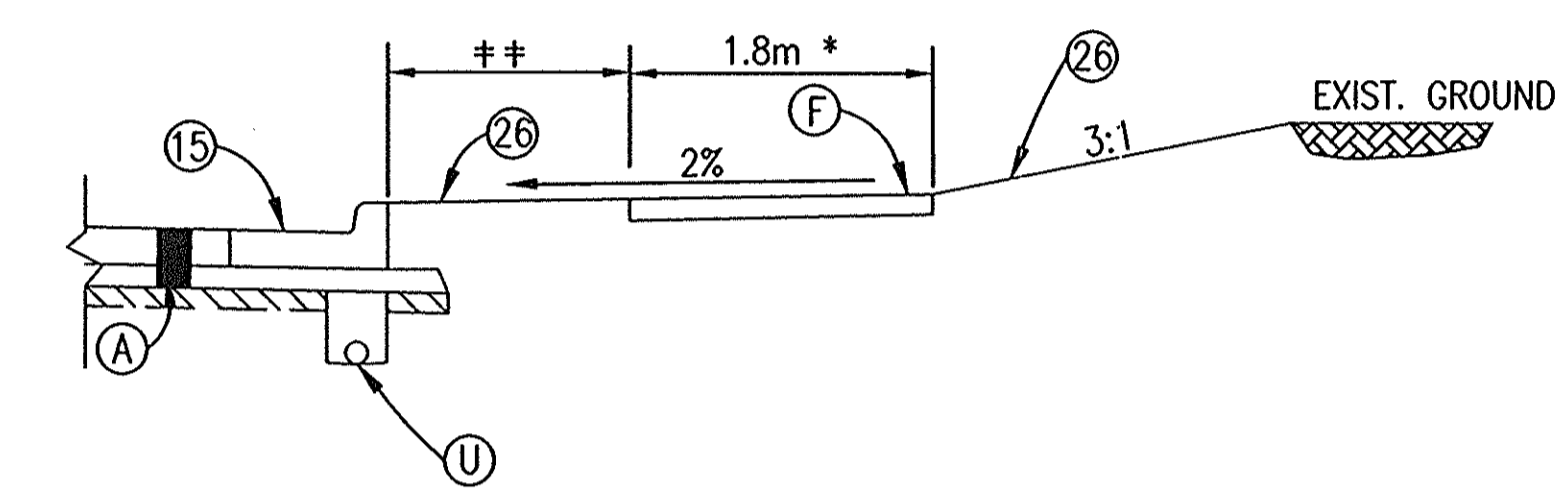
QC/QA
PG BINDER
64-28



STATE ROAD 22
STATION 19+060.27 "A" TO 19+870.00 "A"



SIDEWALK SECTION LEFT
STA. 19+765.20 "A" TO 19+870.00 "A"



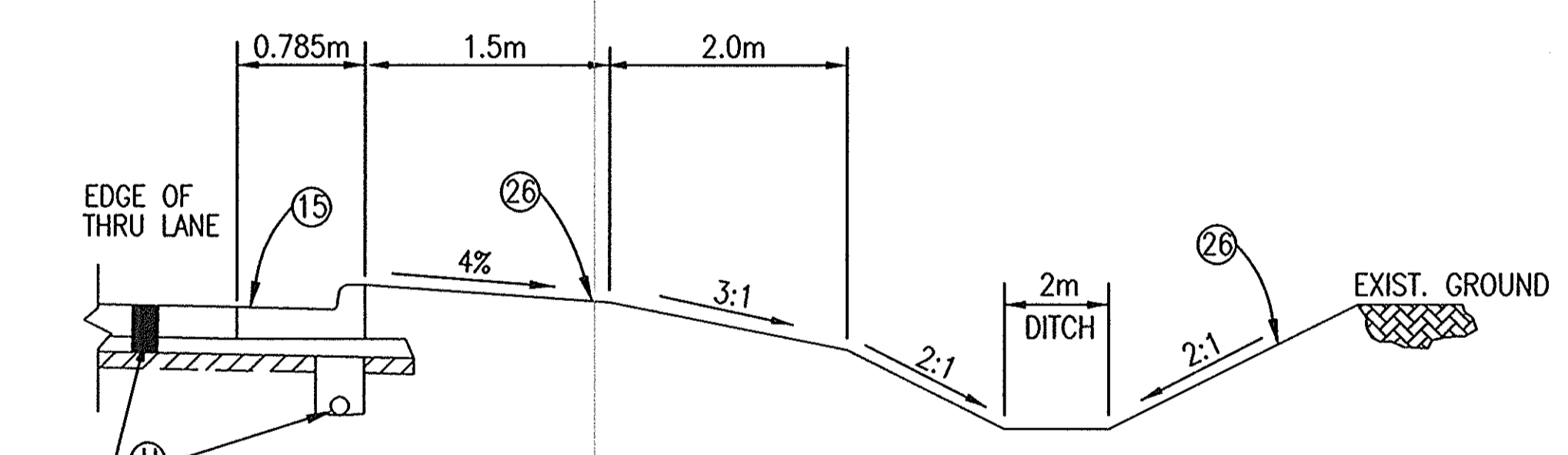
SIDEWALK SECTION RIGHT
STA. 19+773.40 "A" TO STA. 19+870.00 "A"

WIDTH VARIES: FROM 0.0m @ STA. 19+830.00 TO 1.2m @ STA. 19+870.00

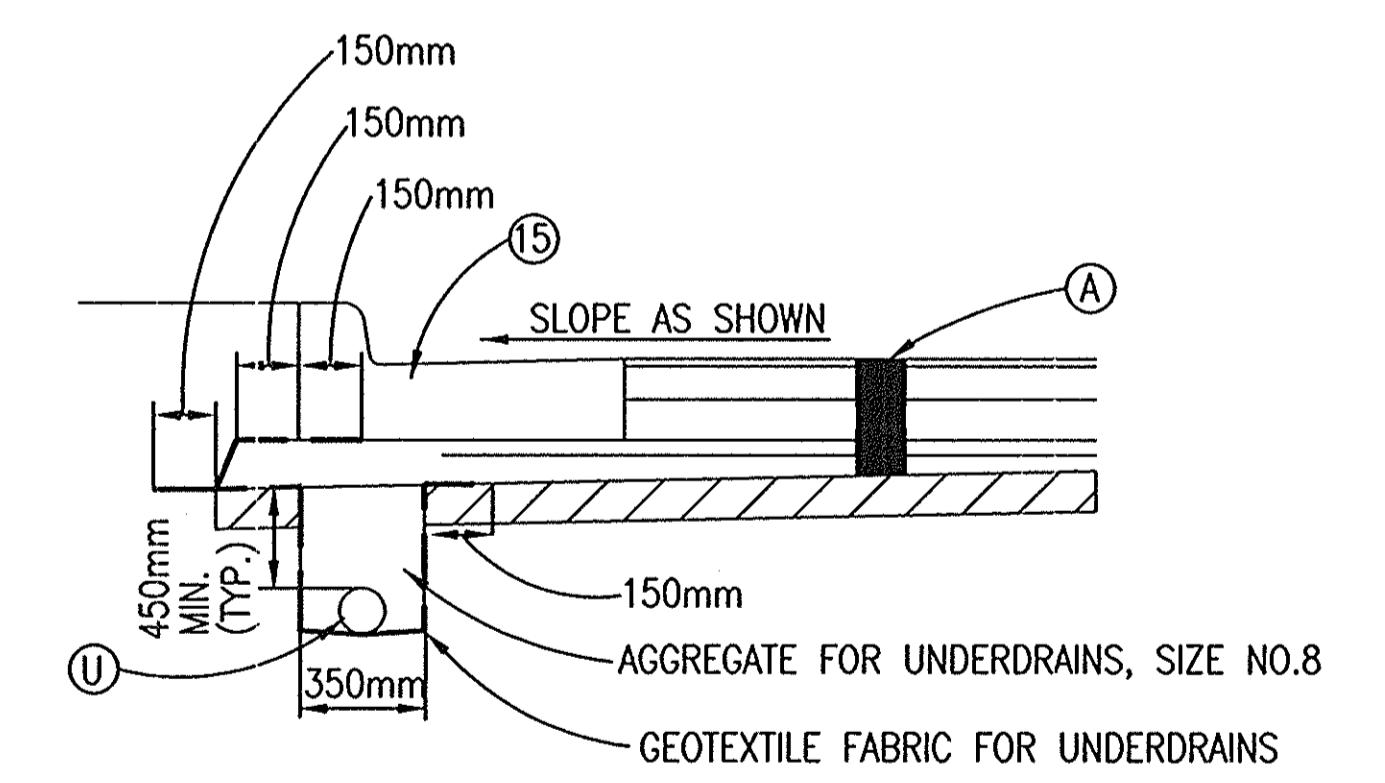
* WIDTH VARIES: FROM 1.8m @ STA. 19+830.00 TO 1.5m @ STA. 19+870.00

LEGEND

- (A) 75 Kg/m² QC/QA-HMA SURFACE 9.5mm, MAINLINE ON
165 Kg/m² QC/QA-HMA INTERMEDIATE 19.0mm, MAINLINE ON
240 Kg/m² QC/QA-HMA BASE, 25.0mm, MAINLINE
165 Kg/m² BASE C 25.0mm, MAINLINE ON
180Kg/m² QC/QA-HMA BASE, 25.0mm, MAINLINE
- (F) CONCRETE SIDEWALK
- (U) 150mm TYPE 4 PIPE
- (15) COMBINED CURB AND GUTTER
- (26) SODDING



DITCH SECTION RIGHT
STA. 19+060.27 "A" TO STA. 19+240.00 "A"



DETAIL "A"
NOT TO SCALE

P:\PR213\1\CADD\TYPSEC2.DWG 12-8-99 5:32:22 pm BLACK



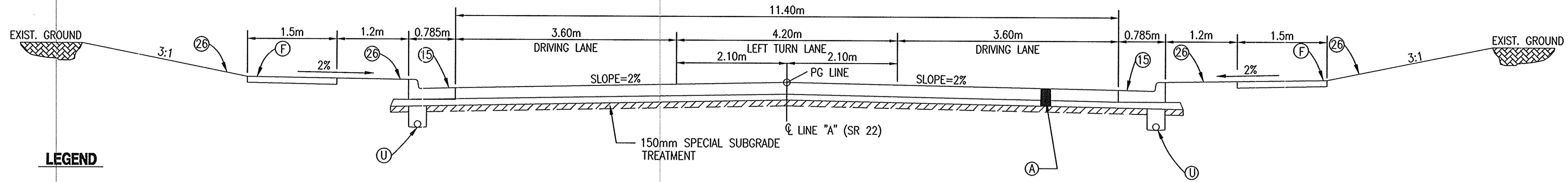
RECOMMENDED FOR APPROVAL	<i>Alan J. DeLanna</i> 12/14/99	
DESIGNED:	MAT	DRAWN: KJB
CHECKED:	AJD	CHECKED: AJD

INDIANA DEPARTMENT OF TRANSPORTATION
TYPICAL ROAD SECTIONS - STATE ROAD 22
STATE ROAD 22 KOKOMO IN.

HORIZONTAL SCALE	BRIDGE FILE
VERTICAL SCALE	DESIGNATION
SURVEY BOOK	SHEETS
ELECTRONIC	18 of 80
CONTRACT	PROJECT
	STP-120-2(007)

FEDERAL ROAD REGION NO.	STATE	PROJECT NO.	FISCAL YR.	SHEET NO.	TOTAL SHEETS
5	IND	STP-120-2(007)	2000	19	80

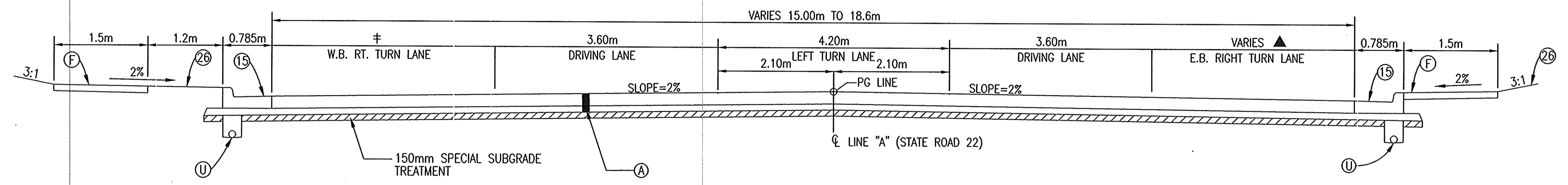
QC/QA
PG BINDER
64-28



LEGEND

- (A) 75 Kg/m² QC/QA-HMA SURFACE 9.5mm, MAINLINE ON
165 Kg/m² QC/QA-HMA INTERMEDIATE 19.0mm, MAINLINE ON
240 Kg/m² QC/QA-HMA BASE, 25.0mm, MAINLINE
165 Kg/m² BASE C 25.0mm, MAINLINE ON
180Kg/m² QC/QA-HMA BASE, 25.0mm, MAINLINE
- (F) CONCRETE SIDEWALK
- (U) 150mm TYPE 4 PIPE
- (15) COMBINED CURB AND GUTTER
- (26) SODDING

STATE ROAD 22
STATION 19+870.00 "A" to 20+506.60 "A"



‡ WIDTH VARIES: FROM 0.0m @ STA. 20+531.00 TO 3.6m @ STA. 20+562.00

STATE ROAD 22
STATION 20+506.60 "A" to 20+723.50 "A"

▲ WIDTH VARIES: FROM 0.0m @ STA. 20+506.60 TO 3.6m @ STA. 20+521.60
FROM 3.6m @ STA. 20+596.00 TO 3.1m @ STA. 20+642.20
FROM 3.1m @ STA. 20+704.50 TO 0.0m @ STA. 20+723.50

P:\PR21351\CADD\TYPSEC3.DWG 12-8-99 5:35:26 pm BLACK



RECOMMENDED FOR APPROVAL	<i>Alan J. Delaney</i>	12/14/99	DATE
DESIGNED:	MAT	DRAWN:	KJB
CHECKED:	AJD	CHECKED:	AJD

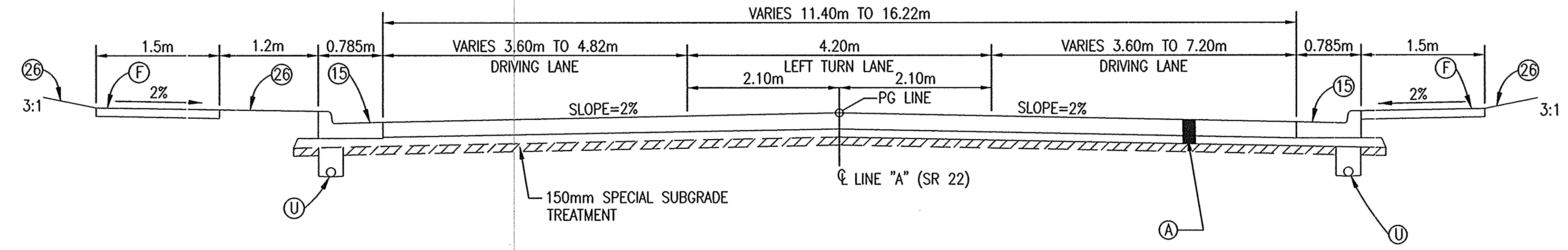
INDIANA DEPARTMENT OF TRANSPORTATION
TYPICAL ROAD SECTIONS - STATE ROAD 22
STATE ROAD 22 KOKOMO IN.

HORIZONTAL SCALE	BRIDGE FILE
VERTICAL SCALE	DESIGNATION
	8677420
SURVEY BOOK	SHEETS
ELECTRONIC	19 of 80
CONTRACT	PROJECT
	STP-120-2(007)

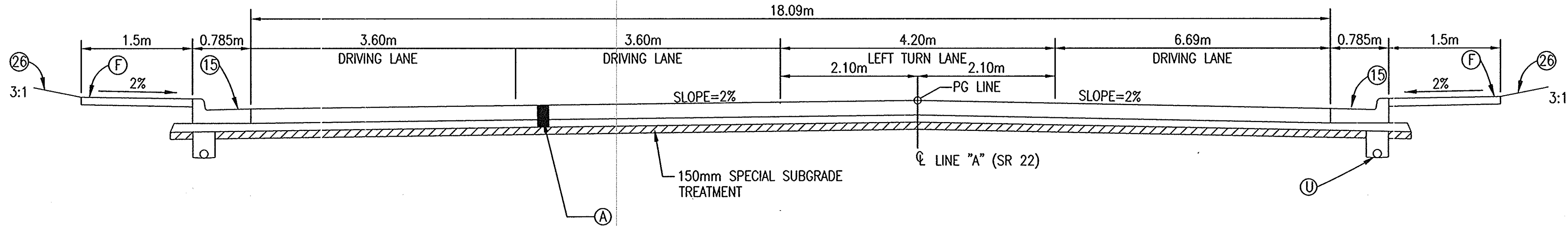
FEDERAL ROAD REGION NO.	STATE	PROJECT NO.	FISCAL YR.	SHEET NO.	TOTAL SHEETS
5	IND	STP-120-2(007)	2000	20	80

LEGEND

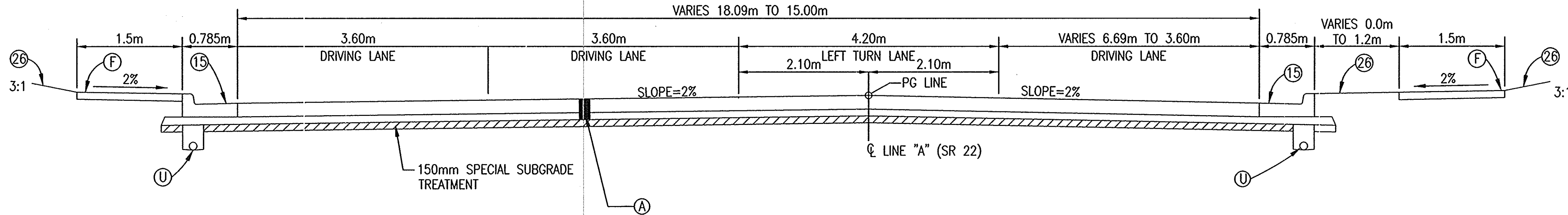
- (A) 75 Kg/m² QC/QA-HMA SURFACE 9.5mm, MAINLINE ON
165 Kg/ m² QC/QA-HMA INTERMEDIATE 19.0mm, MAINLINE ON
240 Kg/ m² QC/QA-HMA BASE, 25.0mm, MAINLINE
165 Kg/m² BASE C 25.0mm, MAINLINE ON
180Kg/ m² QC/QA-HMA BASE, 25.0mm, MAINLINE
- (B) 90 Kg/m HMA SURFACE 9.5mm, MAINLINE
- (F) CONCRETE SIDEWALK
- (U) 150mm TYPE 4 PIPE
- (15) COMBINED CURB AND GUTTER
- (26) SODDING



STATE ROAD 22
STATION 20+541.79 to 20+572.22



STATE ROAD 22
STATION 20+650.10 to 20+700.60



STATE ROAD 22
STATION 20+700.60 to 20+719.02

P:\PR21351\CADD\TYPSEC4.DWG 12-9-99 9:49:02 am BLACK



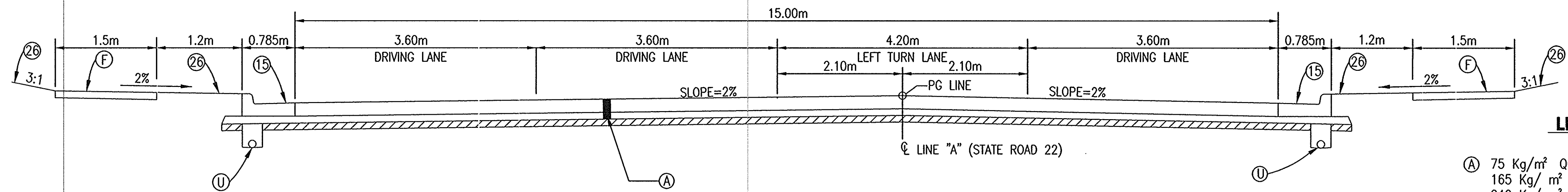
RECOMMENDED FOR APPROVAL
Alan J. Delaney 12/14/99
 DESIGN ENGINEER DATE
 DESIGNED: MAT DRAWN: KJB
 CHECKED: AJD CHECKED: AJD

INDIANA DEPARTMENT OF TRANSPORTATION
 TYPICAL ROAD SECTIONS - STATE ROAD 22
 STATE ROAD 22 KOKOMO IN.

HORIZONTAL SCALE	BRIDGE FILE
VERTICAL SCALE	DESIGNATION
	8677420
SURVEY BOOK	SHEETS
ELECTRONIC	20 of 80
CONTRACT	PROJECT
	STP-120-2(007)

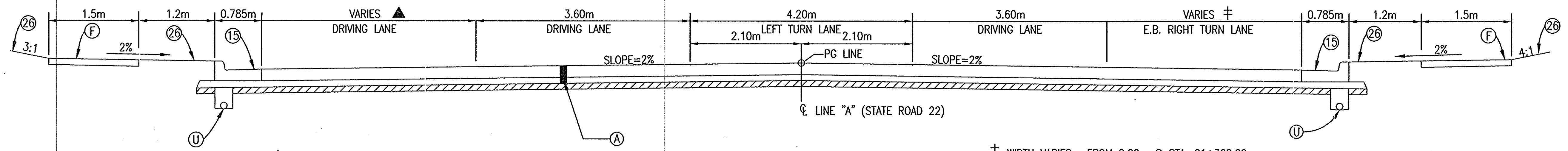
FEDERAL ROAD DISTRICT NO.	STATE	PROJECT NO.	FISCAL YR.	SHEET NO.	TOTAL SHEETS
5	IND	STP-120-2(007)	2000	21	80

QC/QA
PG BINDER
64-28



STATE ROAD 22
STATION 20+723.50 "A" to 21+360.00 "A"

- LEGEND**
- (A) 75 Kg/m² QC/QA-HMA SURFACE 9.5mm, MAINLINE ON
165 Kg/m² QC/QA-HMA INTERMEDIATE 19.0mm, MAINLINE ON
240 Kg/m² QC/QA-HMA BASE, 25.0mm, MAINLINE
165 Kg/m² BASE C 25.0mm, MAINLINE ON
180Kg/m² QC/QA-HMA BASE, 25.0mm, MAINLINE
 - (F) CONCRETE SIDEWALK
 - (U) 150mm TYPE 4 PIPE
 - (15) COMBINED CURB AND GUTTER
 - (26) SODDING

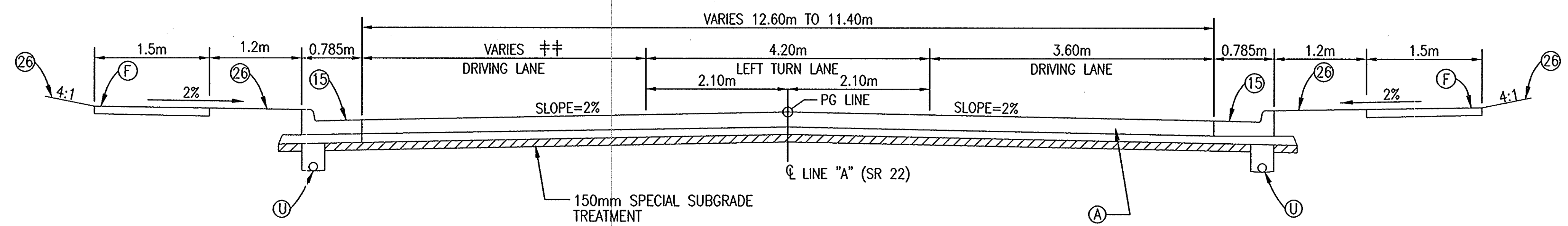


STATE ROAD 22
STATION 21+360.00 "A" to 21+468.00 "A"

▲ WIDTH VARIES: FROM 3.6m @ STA. 21+409.00
TO 1.2m @ STA. 21+453.31

‡ WIDTH VARIES: FROM 0.00m @ STA. 21+360.00
TO 3.60m @ STA. 21+390.00
FROM 3.60m @ STA. 21+404.42
TO 0.00m @ STA. 21+468.00

NOTE:
SIDEWALK IS AGAINST BACK OF
CURB FROM STA. 21+453.00
TO STA. 21+493.00



STATE ROAD 22
STATION 21+468.00 "A" TO 22+013.95 "A" (RAILROAD HEADER)
STATION 22+031.53 "A" (RAILROAD HEADER) TO 23+142.00 "A"

‡‡ WIDTH VARIES: FROM 4.80m @ STA. 21+493.00
TO 3.60m @ STA. 21+508.50

P:\PR21351\CADD\TYPSEC5.DWG 12-8-99 5:42:50 pm BLACK



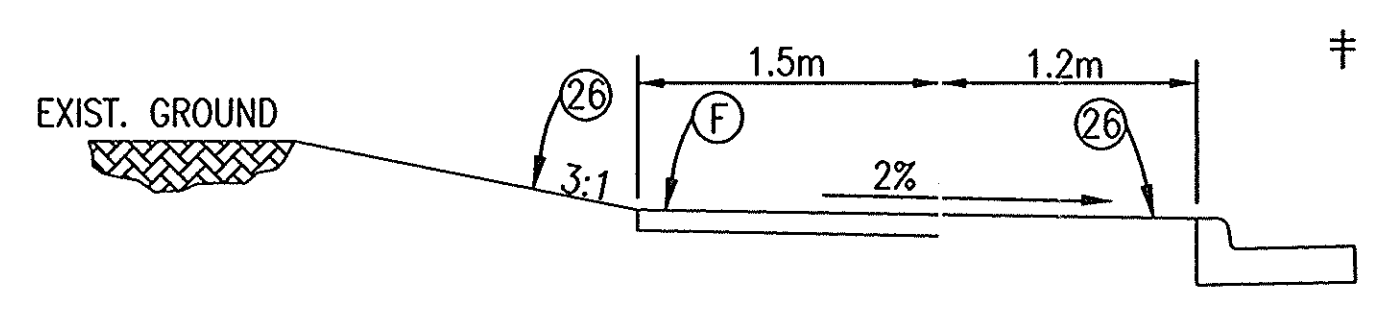
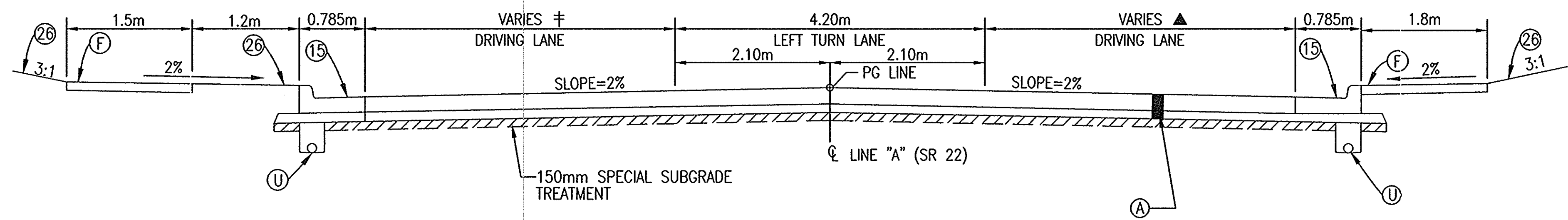
RECOMMENDED FOR APPROVAL: *Alan J. DeLaney* 12/14/99
DESIGN ENGINEER DATE
DESIGNED: MAT DRAWN: KJB
CHECKED: AJD CHECKED: AJD

INDIANA DEPARTMENT OF TRANSPORTATION
TYPICAL ROAD SECTIONS - STATE ROAD 22
STATE ROAD 22 KOKOMO IN.

HORIZONTAL SCALE	BRIDGE FILE
VERTICAL SCALE	DESIGNATION 8677420
SURVEY BOOK	SHEETS
ELECTRONIC	21 of 80
CONTRACT	PROJECT
	STP-120-2(007)

FEDERAL ROAD REGION NO.	STATE	PROJECT NO.	FISCAL YR.	SHEET NO.	TOTAL SHEETS
5	IND	STP-120-2(007)	2000	22	80

QC/QA
PG BINDER
64-28



≠ WIDTH VARIES: FROM 3.60m @ STA. 23+158.00 TO 2.38m @ STA. 23+178.00

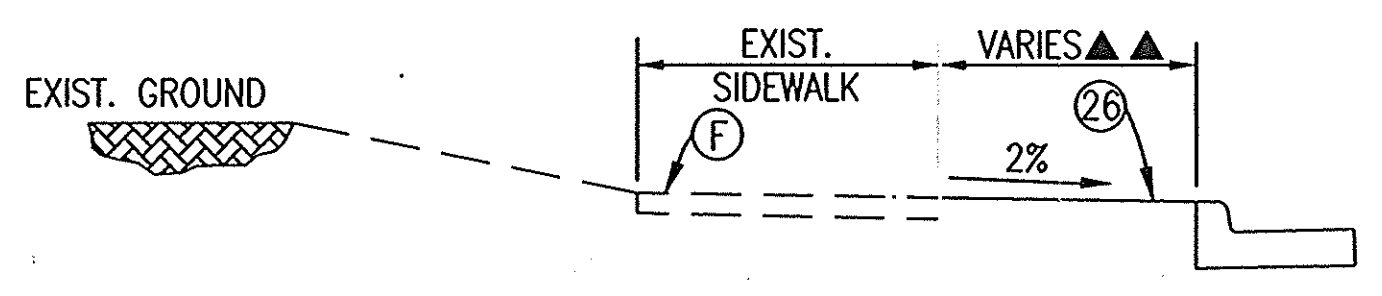
▲ WIDTH VARIES: FROM 3.60m @ STA. 23+142.00 TO 4.35m @ STA. 23+178.00

STATE ROAD 22
STATION 23+142.00 "A" TO 23+195.00 "A"

LEGEND

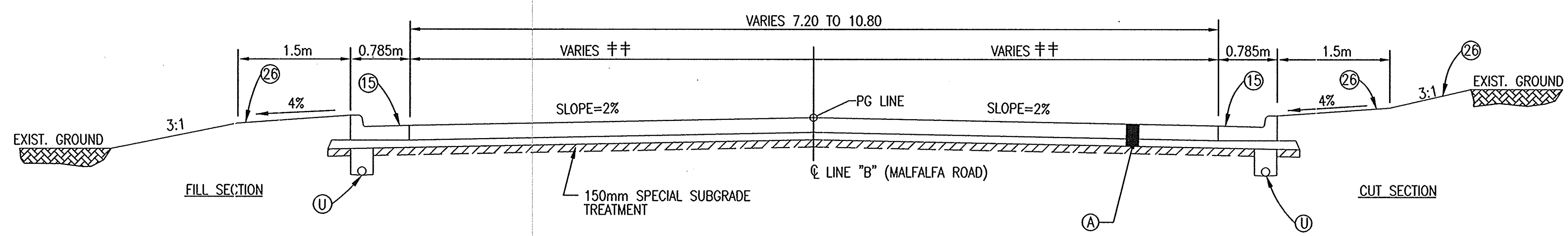
- (A) 75 Kg/m² QC/QA-HMA SURFACE 9.5mm, MAINLINE ON 165 Kg/m² QC/QA-HMA INTERMEDIATE 19.0mm, MAINLINE ON 240 Kg/m² QC/QA-HMA BASE, 25.0mm, MAINLINE ON 165 Kg/m² BASE C 25.0mm, MAINLINE ON 180Kg/m² QC/QA-HMA BASE, 25.0mm, MAINLINE
- (F) CONCRETE SIDEWALK
- (U) 150mm TYPE 4 PIPE
- (15) COMBINED CURB AND GUTTER
- (26) SODDING

SIDEWALK TREATMENT LEFT
STA. 23+142.00 "A" TO 23+151.00 "A"



SIDEWALK TREATMENT LEFT
STA. 23+158.00 "A" TO 23+195.00 "A"

▲▲ WIDTH VARIES: FROM 0.8m @ STA. 23+158.00 TO 1.2m @ STA. 23+178.00



MALFALFA ROAD
STATION 5+020.00 "B" TO 5+204.41 "B"
STATION 5+215.59 "B" TO 5+380.00 "B"
≠≠ WIDTH VARIES: FROM 3.6m @ STA. 5+144.50 TO 5.4m @ STA. 5+177.00
FROM 5.4m @ STA. 5+243.00 TO 3.6m @ STA. 5+275.40

P:\APR2135\1\CADD\TYPSEC6.DWG 12-8-99 5:45:34 pm BLACK



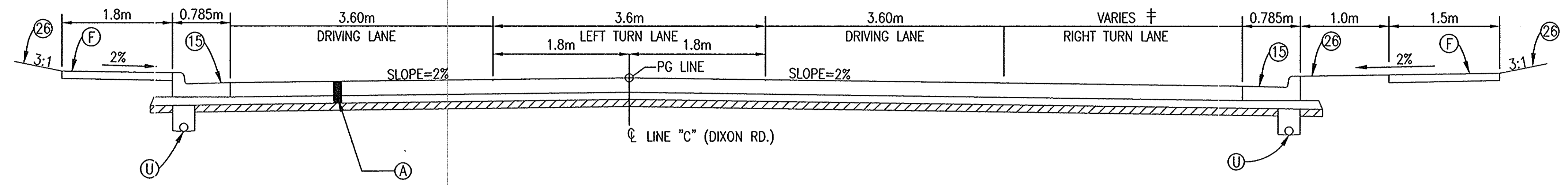
RECOMMENDED FOR APPROVAL *Alan J. DeLaney* 12/14/99
DESIGN ENGINEER DATE
DESIGNED: MAT DRAWN: KJB
CHECKED: AJD CHECKED: AJD

INDIANA DEPARTMENT OF TRANSPORTATION
TYPICAL ROAD SECTIONS - STATE ROAD 22
STATE ROAD 22 KOKOMO IN.

HORIZONTAL SCALE	BRIDGE FILE
VERTICAL SCALE	DESIGNATION
	8677420
SURVEY BOOK	SHEETS
ELECTRONIC	22 of 80
CONTRACT	PROJECT
	STP-120-2(007)

FEDERAL ROAD REGION NO.	STATE	PROJECT NO.	FISCAL YR.	SHEET NO.	TOTAL SHEETS
5	IND	STP-120-2(007)	2000	23	80

QC/QA
PG BINDER
64-28



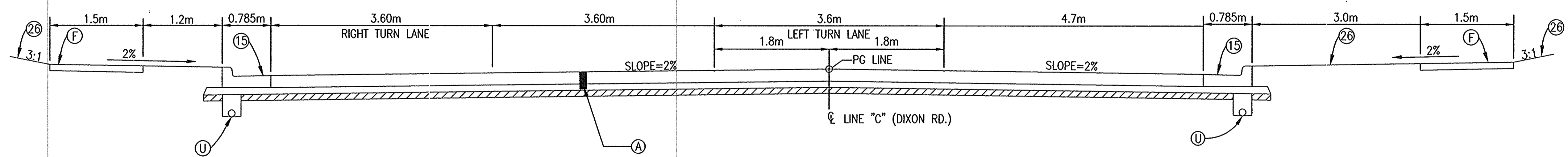
‡ WIDTH VARIES: FROM 0.0m @ STA. 3+049.6 TO 3.6m @ 3+064.5

LEGEND

- (A) 75 Kg/m² QC/QA-HMA SURFACE 9.5mm, MAINLINE ON
165 Kg/m² QC/QA-HMA INTERMEDIATE 19.0mm, MAINLINE ON
240 Kg/m² QC/QA-HMA BASE, 25.0mm, MAINLINE
165 Kg/m² BASE C 25.0mm, MAINLINE ON
180Kg/m² QC/QA-HMA BASE, 25.0mm, MAINLINE
- (F) CONCRETE SIDEWALK
- (U) 150mm TYPE 4 PIPE
- (15) COMBINED CURB AND GUTTER
- (26) SODDING

DIXON ROAD

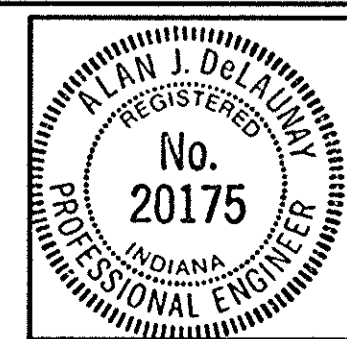
STATION 3+020.00 "C" TO STATION 3+098.421 "C"



DIXON ROAD

STATION 3+116.811 "C" TO STATION 3+160.00 "C"

P:\PR2135\ACADD\TYPSEC7.DWG 12-8-99 5:49:09 pm BLACK



RECOMMENDED FOR APPROVAL	<i>Alan J. DeLaney</i>	12/14/99
DESIGNED:	MAT	DRAWN: KJB
CHECKED:	AJD	CHECKED: AJD

INDIANA DEPARTMENT OF TRANSPORTATION
TYPICAL ROAD SECTIONS - STATE ROAD 22
STATE ROAD 22 KOKOMO IN.

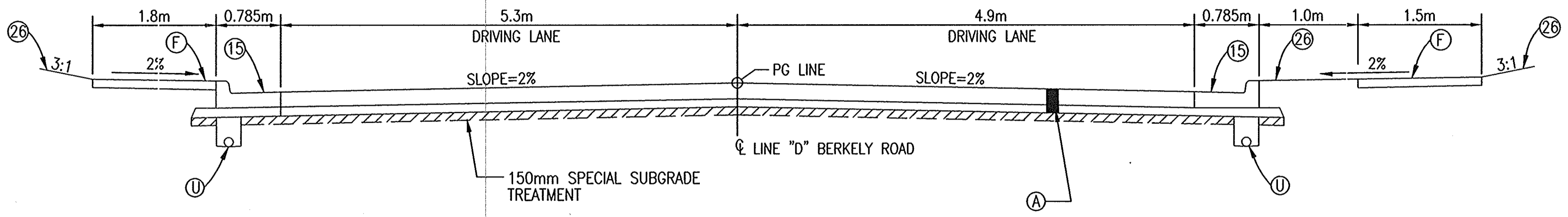
HORIZONTAL SCALE	BRIDGE FILE
VERTICAL SCALE	DESIGNATION
SURVEY BOOK	SHEETS
ELECTRONIC	23 of 80
CONTRACT	PROJECT
	STP-120-2(007)

FEDERAL ROAD REGION NO.	STATE	PROJECT NO.	FISCAL YR.	SHEET NO.	TOTAL SHEETS
5	IND	STP-120-2(007)	2000	24	80

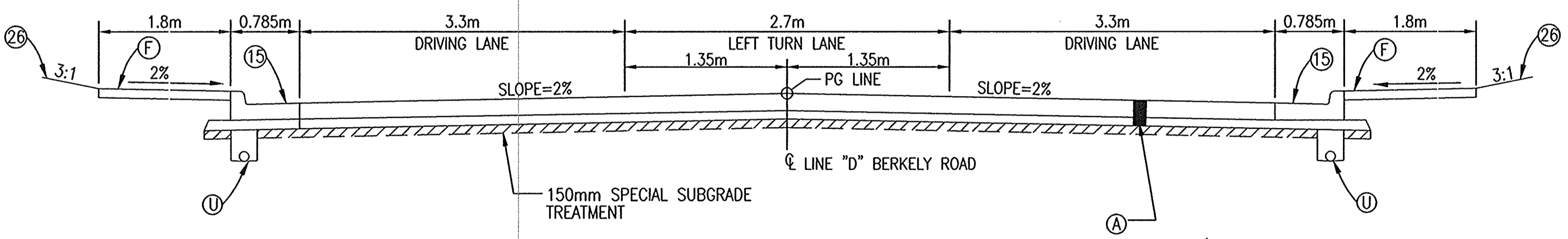
QC/QA
PG BINDER
64-28

LEGEND

- (A) 75 Kg/m² QC/QA-HMA SURFACE 9.5mm, MAINLINE ON
165 Kg/ m² QC/QA-HMA INTERMEDIATE 19.0mm, MAINLINE ON
240 Kg/ m² QC/QA-HMA BASE, 25.0mm, MAINLINE
165 Kg/m² BASE C 25.0mm, MAINLINE ON
180Kg/ m² QC/QA-HMA BASE, 25.0mm, MAINLINE
- (F) CONCRETE SIDEWALK
- (U) 150mm TYPE 4 PIPE
- (15) COMBINED CURB AND GUTTER
- (26) SODDING

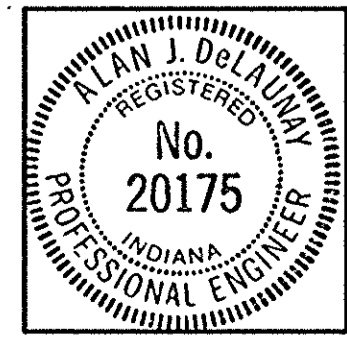


BERKELY ROAD
STATION 3+000.00 "D" TO STATION 3+088.406 "D"



BERKELY ROAD
STATION 3+102.343 "D" TO STATION 3+160.00 "D"

P:\PR21351\NCADD\TYPSEC8.DWG 12-9-99 7:57:38 am BLACK



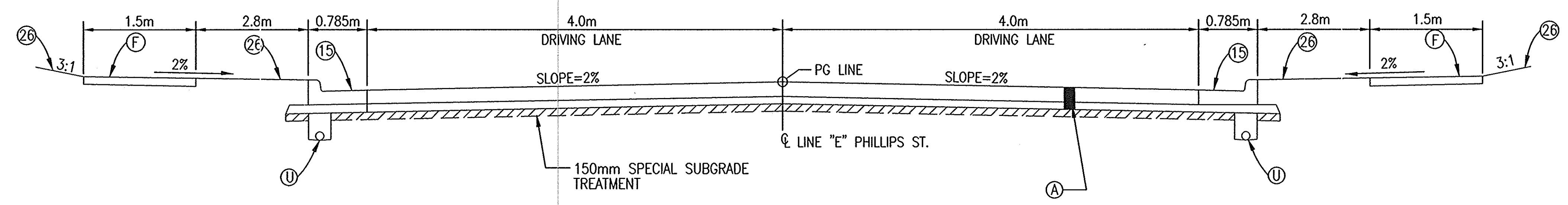
RECOMMENDED FOR APPROVAL	<i>Alan J. Delaney</i>	DATE	12/14/97
DESIGNED:	MAT	DRAWN:	KJB
CHECKED:	AJD	CHECKED:	AJD

INDIANA DEPARTMENT OF TRANSPORTATION
TYPICAL ROAD SECTIONS - STATE ROAD 22
STATE ROAD 22 KOKOMO IN.

HORIZONTAL SCALE	BRIDGE FILE
VERTICAL SCALE	DESIGNATION
	8677420
SURVEY BOOK	SHEETS
ELECTRONIC CONTRACT	24 of 80
	PROJECT
	STP-120-2(007)

FEDERAL ROAD DISTRICT NO.	STATE	PROJECT NO.	FISCAL YR.	SHEET NO.	TOTAL SHEETS
5	IND	STP-120-2(007)	2000	25	80

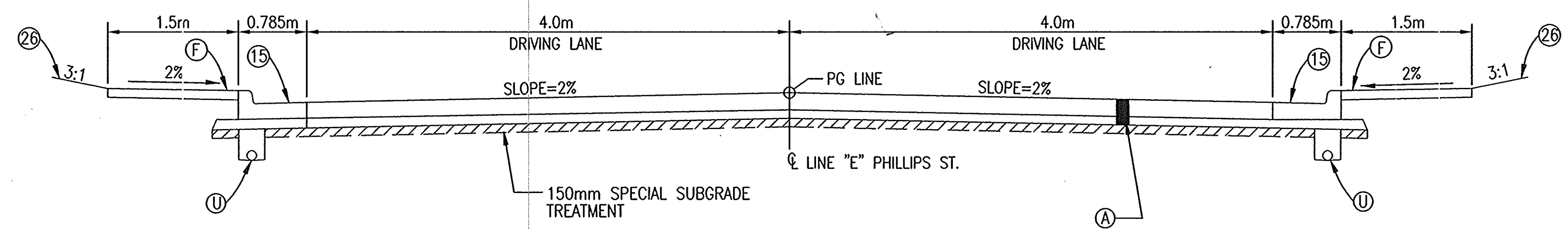
QC/QA
PG BINDER
64-28



PHILIPS STREET
STATION 3+000.00 "E" TO STATION 3+036.499 "E"

LEGEND

- (A) 75 Kg/m² QC/QA-HMA SURFACE 9.5mm, MAINLINE ON
165 Kg/m² QC/QA-HMA INTERMEDIATE 19.0mm, MAINLINE ON
240 Kg/m² QC/QA-HMA BASE, 25.0mm, MAINLINE
165 Kg/m² BASE C 25.0mm, MAINLINE ON
180Kg/m² QC/QA-HMA BASE, 25.0mm, MAINLINE
- (F) CONCRETE SIDEWALK
- (U) 150mm TYPE 4 PIPE
- (15) COMBINED CURB AND GUTTER
- (26) SODDING



PHILIPS STREET
STATION 3+047.814 "E" TO STATION 3+100.00 "E"

P:\PR21351\CADD\TYPSEC9.DWG 12-9-99 7:58:09 am BLACK



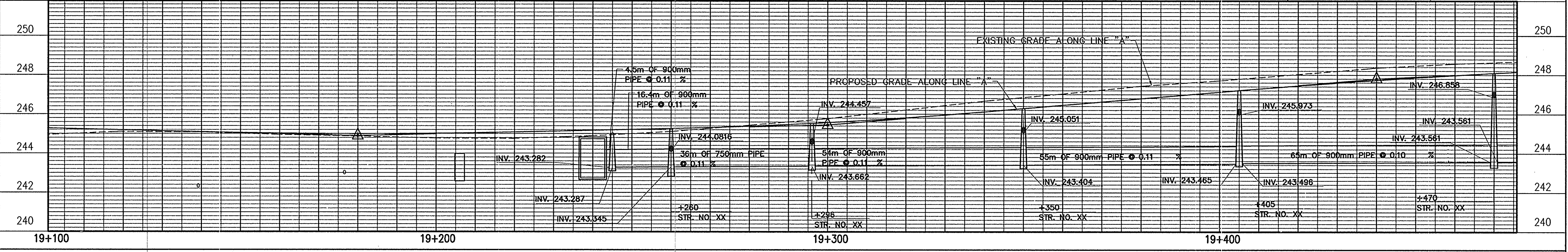
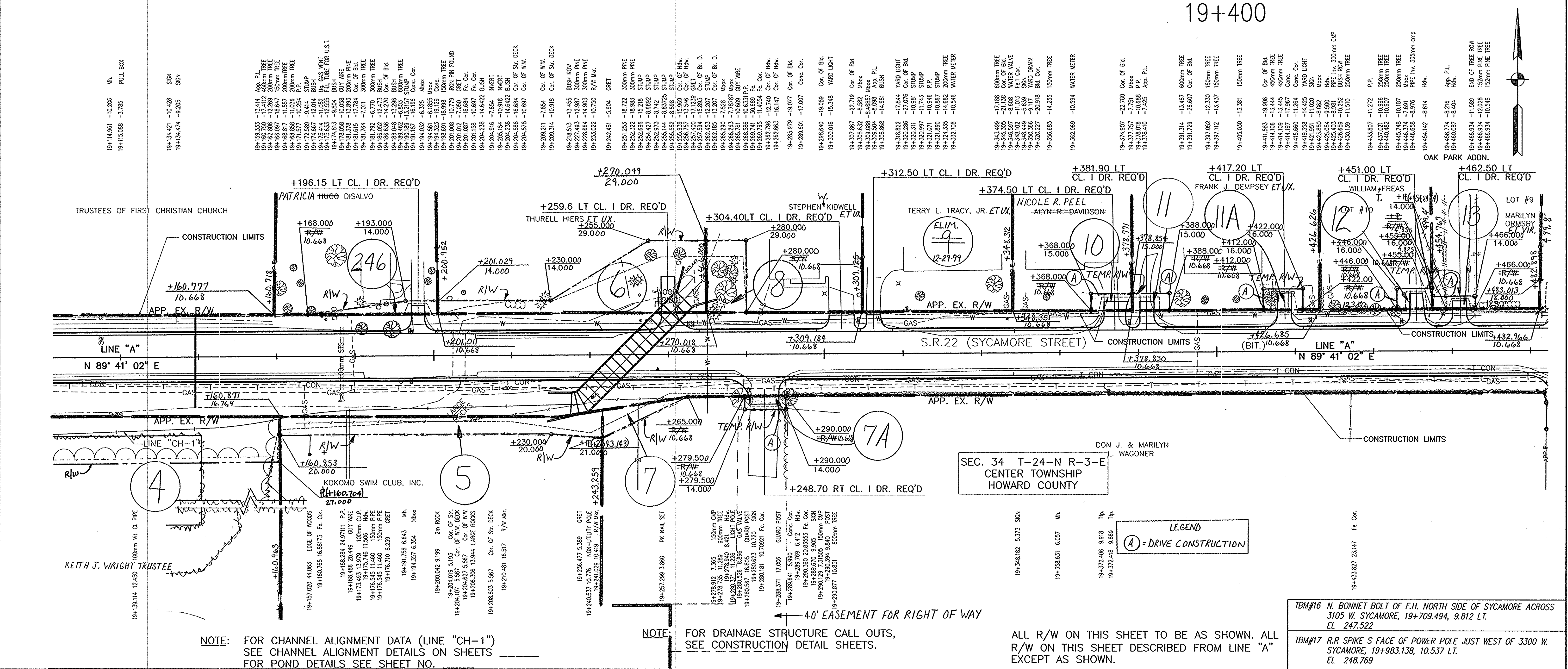
RECOMMENDED FOR APPROVAL: *Alan J. DeLuca* 12/14/99
DESIGN ENGINEER DATE

DESIGNED: MAT DRAWN: KJB
CHECKED: AJD CHECKED: AJD

INDIANA DEPARTMENT OF TRANSPORTATION

TYPICAL ROAD SECTIONS - STATE ROAD 22
STATE ROAD 22 KOKOMO IN.

HORIZONTAL SCALE	BRIDGE FILE
VERTICAL SCALE	DESIGNATION 8677420
SURVEY BOOK	SHEETS
ELECTRONIC CONTRACT	25 of 80 PROJECT STP-120-2(007)



REVISIONS NO. DATE REVISION 1 09/17/00 REVISED PARCEL & BY BURGESS & NIPLE, LIMITED DUE TO DESIGN CHANGES			RECOMMENDED FOR APPROVAL <i>Alan D. DeLaney</i> 12/14/99 DESIGN ENGINEER DATE	INDIANA DEPARTMENT OF TRANSPORTATION PLAN & PROFILE - STATE ROAD 22 LINE "A"	HORIZONTAL SCALE 1:500	BRIDGE FILE
DESIGNED: MAT CHECKED: AJD	DRAWN: DWD CHECKED: AJD		SURVEY BOOK ELECTRONIC CONTRACT		SHEETS 27 of 80 PROJECT STP-120-2(007)	

PLAN: 12/14/99 12:45:31 PM EST

FEDERAL ROAD REGION NO.	STATE	PROJECT NO.	FISCAL YR.	SHEET NO.	TOTAL SHEETS
5	IND	STP-120-2(007)	2000	28	80

REV. 4-25-01, ADDED "DO NOT DISTURB" NOTE. @ STA. 19+760.159 LT.

19+500

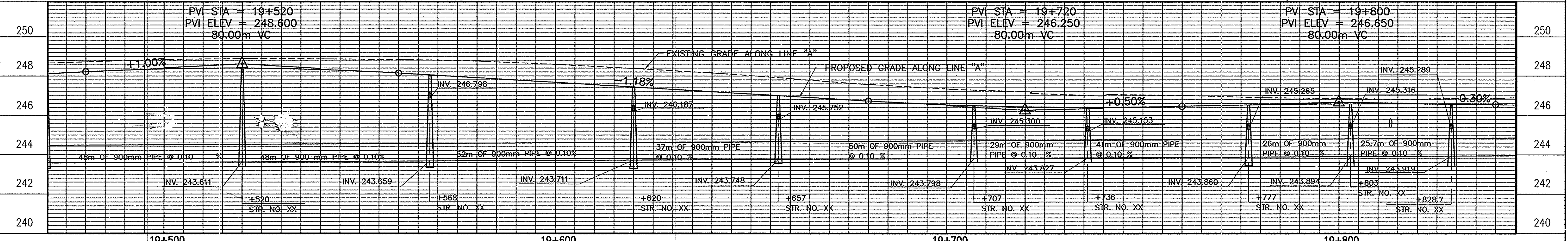
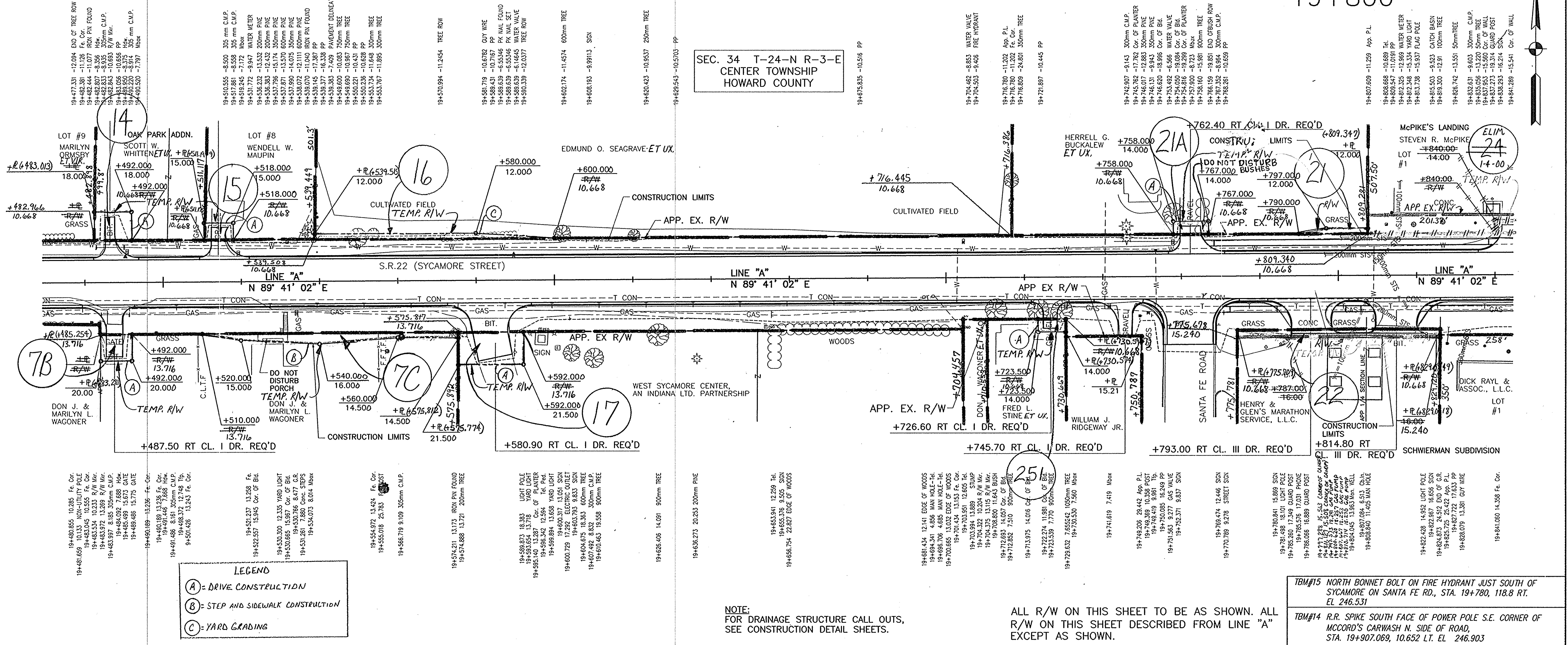
19+600

19+700

19+800

STA. 19+762.00 LINE "A" STREET APPROACH REQ'D RT

SEC. 34 T-24-N R-3-E CENTER TOWNSHIP HOWARD COUNTY



LEGEND

- (A) = DRIVE CONSTRUCTION
- (B) = STEP AND SIDEWALK CONSTRUCTION
- (C) = YARD GRADING

NOTE:
FOR DRAINAGE STRUCTURE CALL OUTS, SEE CONSTRUCTION DETAIL SHEETS.

ALL R/W ON THIS SHEET TO BE AS SHOWN. ALL R/W ON THIS SHEET DESCRIBED FROM LINE "A" EXCEPT AS SHOWN.

TBM#15 NORTH BONNET BOLT ON FIRE HYDRANT JUST SOUTH OF SYCAMORE ON SANTA FE RD., STA. 19+780, 118.8 RT. EL 246.531

TBM#14 R.R. SPIKE SOUTH FACE OF POWER POLE S.E. CORNER OF MCCORD'S CARWASH N. SIDE OF ROAD, STA. 19+907.069, 10.652 LT. EL 246.903

#20 CENTER SECTION 34

#23 N 1/4 COR. SEC. 34

RECOMMENDED FOR APPROVAL: Alan J. Delaney 12/14/99 DESIGN ENGINEER DATE

DESIGNED: MAT DRAWN: DWD

CHECKED: AJD CHECKED: AJD

Professional Engineer Seal: Alan J. Delaney, No. 20175, Indiana Professional Engineers

INDIANA DEPARTMENT OF TRANSPORTATION

PLAN & PROFILE - STATE ROAD 22 LINE "A"

HORIZONTAL SCALE	BRIDGE FILE
1:500	
VERTICAL SCALE	DESIGNATION
1:100	8677420
SURVEY BOOK	SHEETS
ELECTRONIC	28 of 80
CONTRACT	PROJECT
	STP-120-2(007)

FEDERAL ROAD REGION NO.	STATE	PROJECT NO.	FISCAL YR.	SHEET NO.	TOTAL SHEETS
5	IND	STP-120-2(007)	2000	29	80

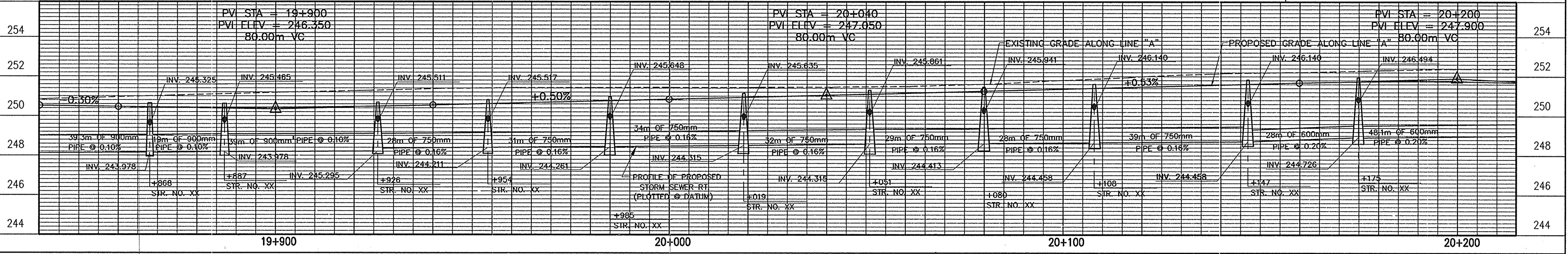
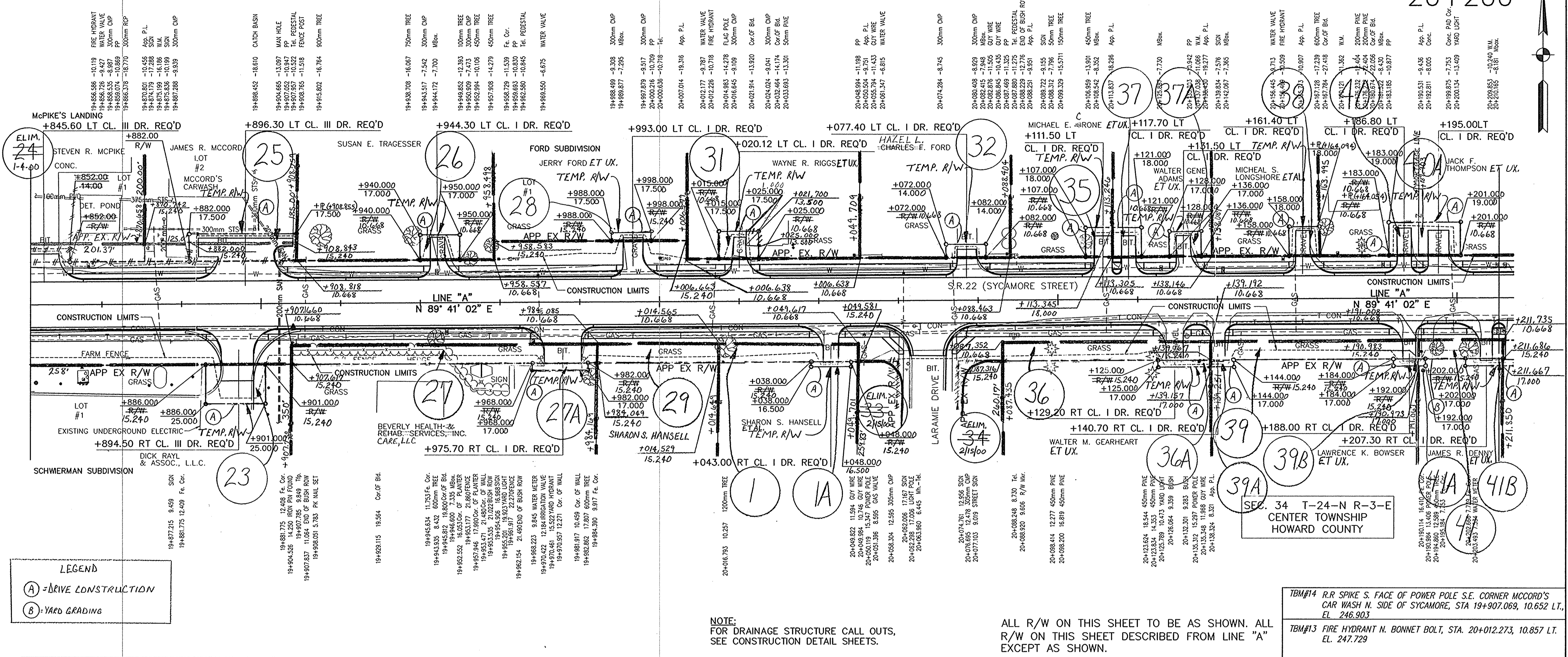
19+900

20+000

20+100

20+200

STA. 20+067.40 LINE "A"
STREET APPROACH REQ'D RT



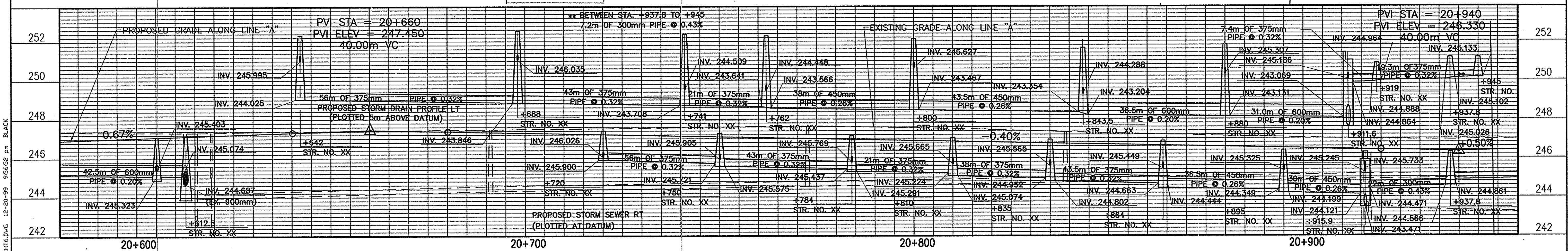
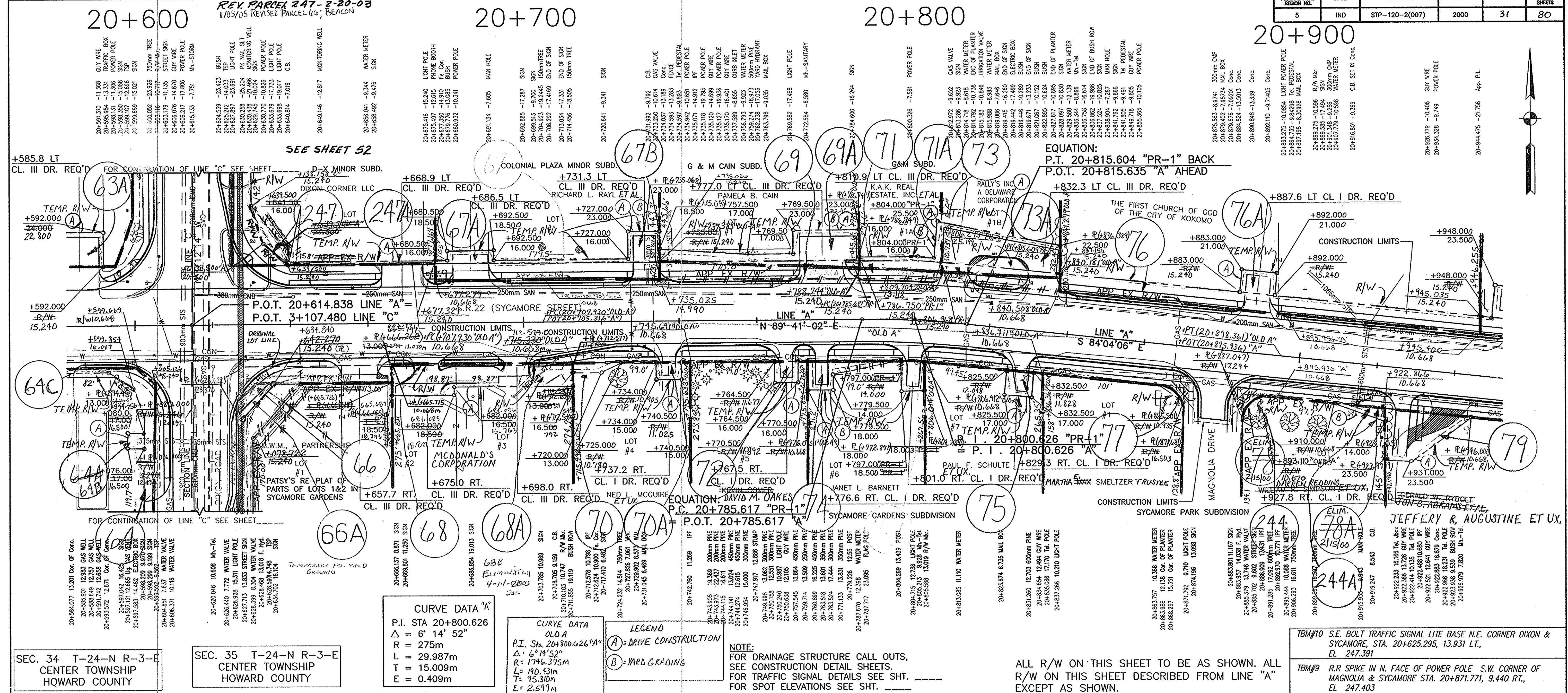
P:\PROJECTS\CADD\PPSHT4.DWG 12-14-99 2:18:17 pm BLACK



RECOMMENDED FOR APPROVAL: *Alan J. Delaney* 12/14/99 DATE
 DESIGNER: MAT DRAWN: DWD
 CHECKED: AID CHECKED: AID

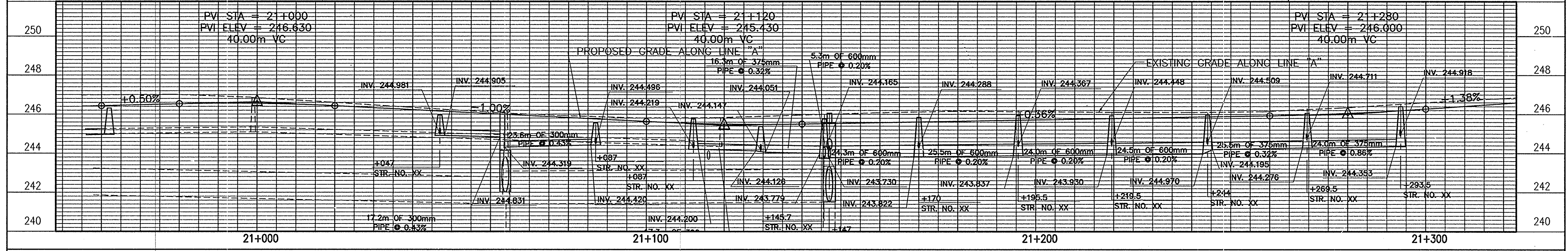
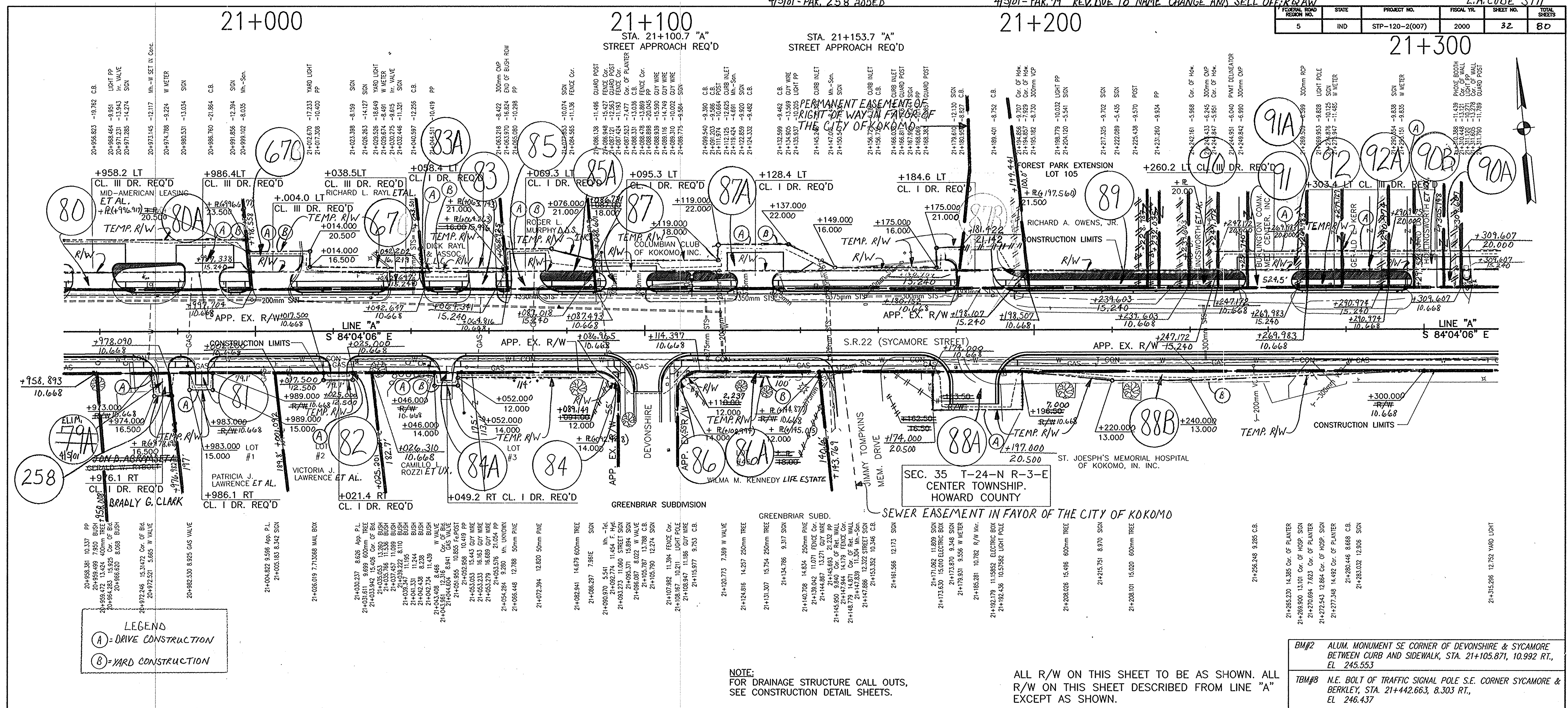
INDIANA DEPARTMENT OF TRANSPORTATION
 PLAN & PROFILE - STATE ROAD 22
 LINE "A"

HORIZONTAL SCALE	BRIDGE FILE
1:500	
VERTICAL SCALE	DESIGNATION
1:100	8677420
SURVEY BOOK	SHEETS
ELECTRONIC	29 of 80
CONTRACT	PROJECT
	STP-120-2(007)



#6 PK SET SIDE LINE "A" MARKER N-10089120 E-20144710	#19 PK SET SIDE MPL. TREE N-10089120 E-20144710	#24 JEFFERSON PK SET SIDE N-10089120 E-20144710	#101 PK SET SIDE MPL. TREE N-10089120 E-20144710	REVISIONS 1 07/10/2002 PARCEL 69 BY BURGESS & NIPLE, LIMITED DUE TO DESIGN CHANGES 2 02/29/2002 PARCEL 68 BY BURGESS & NIPLE, LIMITED DUE TO DESIGN CHANGES	RECOMMENDED FOR APPROVAL Alan J. DeLaney 12/14/09 DESIGN ENGINEER DATE	DESIGNED: MAT DRAWN: DWD CHECKED: AJD CHECKED: AJD	HORIZONTAL SCALE 1:500 BRIDGE FILE DESIGNATION 8677420	SURVEY BOOK ELECTRONIC CONTRACT SHEETS 31 of 80 PROJECT STP-120-2(007)
--	---	---	--	--	--	---	--	--

FEDERAL ROAD DISTRICT NO.	STATE	PROJECT NO.	FISCAL YR.	SHEET NO.	TOTAL SHEETS
5	IND	STP-120-2(007)	2000	32	80



RECOMMENDED FOR APPROVAL: Alan J. Delaney, DESIGN ENGINEER, DATE: 12/14/99

DESIGNED: MAT, DRAWN: DWD

CHECKED: AID, CHECKED: AID

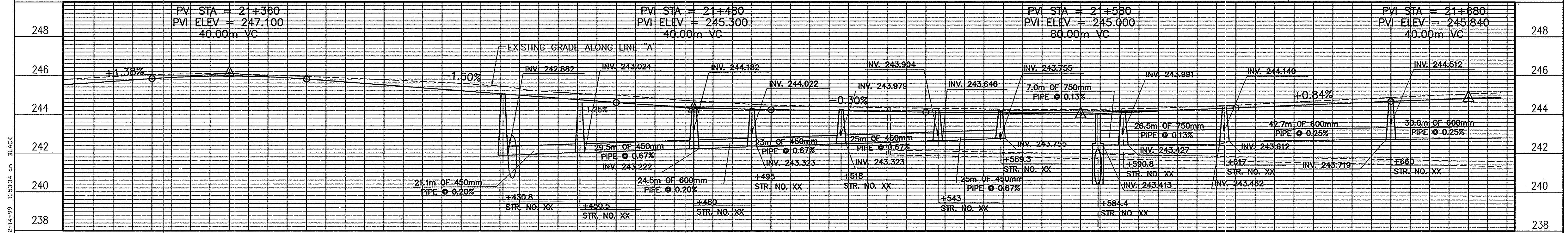
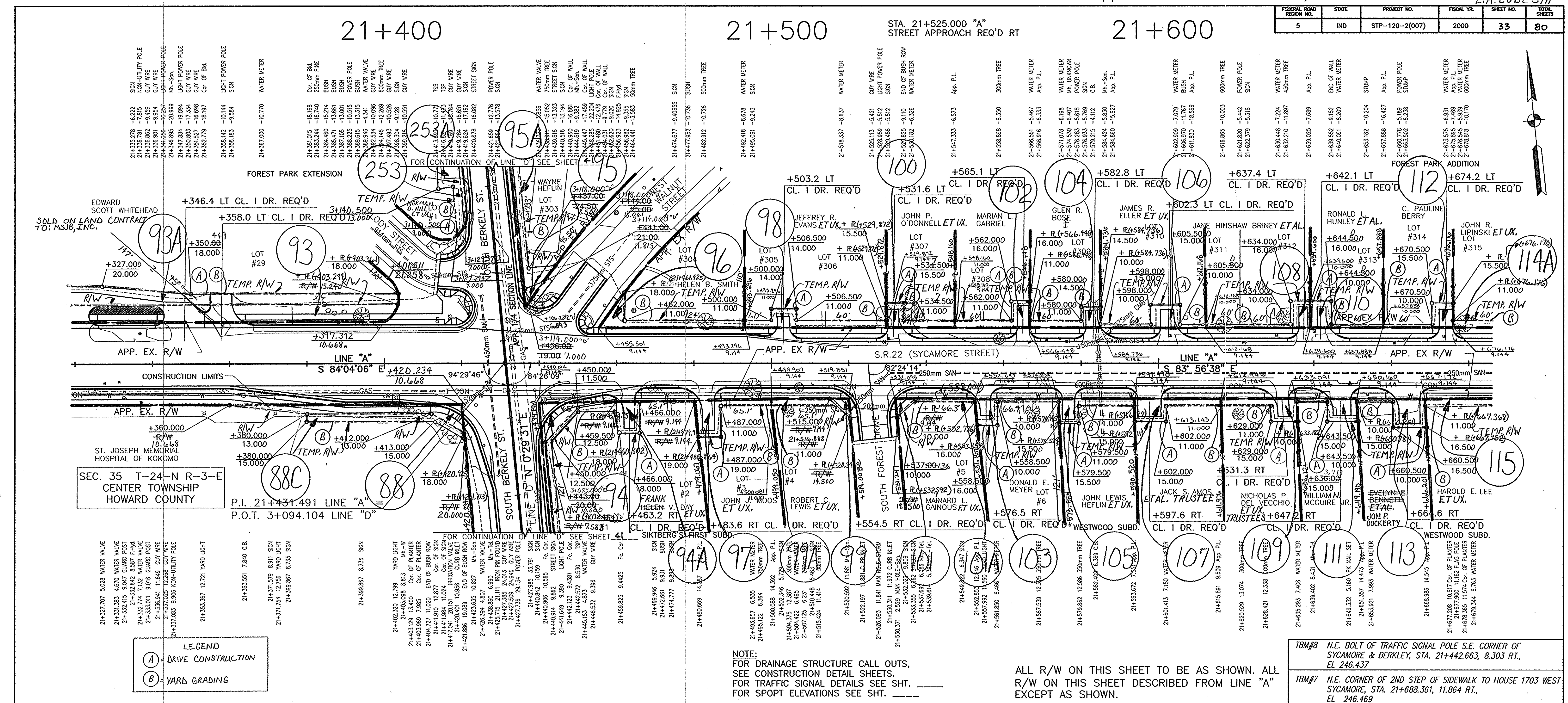
INDIANA DEPARTMENT OF TRANSPORTATION

PLAN & PROFILE - STATE ROAD 22 LINE "A"

HORIZONTAL SCALE	BRIDGE FILE
1:500	
VERTICAL SCALE	DESIGNATION
1:100	8677420
SURVEY BOOK	SHEETS
ELECTRONIC	32 of 80
CONTRACT	PROJECT
	SIP-120-2(007)

P:\PAR21351\CA\DD\PP\SH7.DWG 12-14-99 1:29:37 PM EST

FEDERAL ROAD DISTRICT NO.	STATE	PROJECT NO.	FISCAL YR.	SHEET NO.	TOTAL SHEETS
5	IND	STP-120-2(007)	2000	33	80



#9 STA. 21+431.491

#18 CENTER SECTION 35

#25 N 1/4 COR. SEC. 35

21+400

21+500

21+600

INDIANA DEPARTMENT OF TRANSPORTATION

REGISTERED PROFESSIONAL ENGINEER

No. 20175

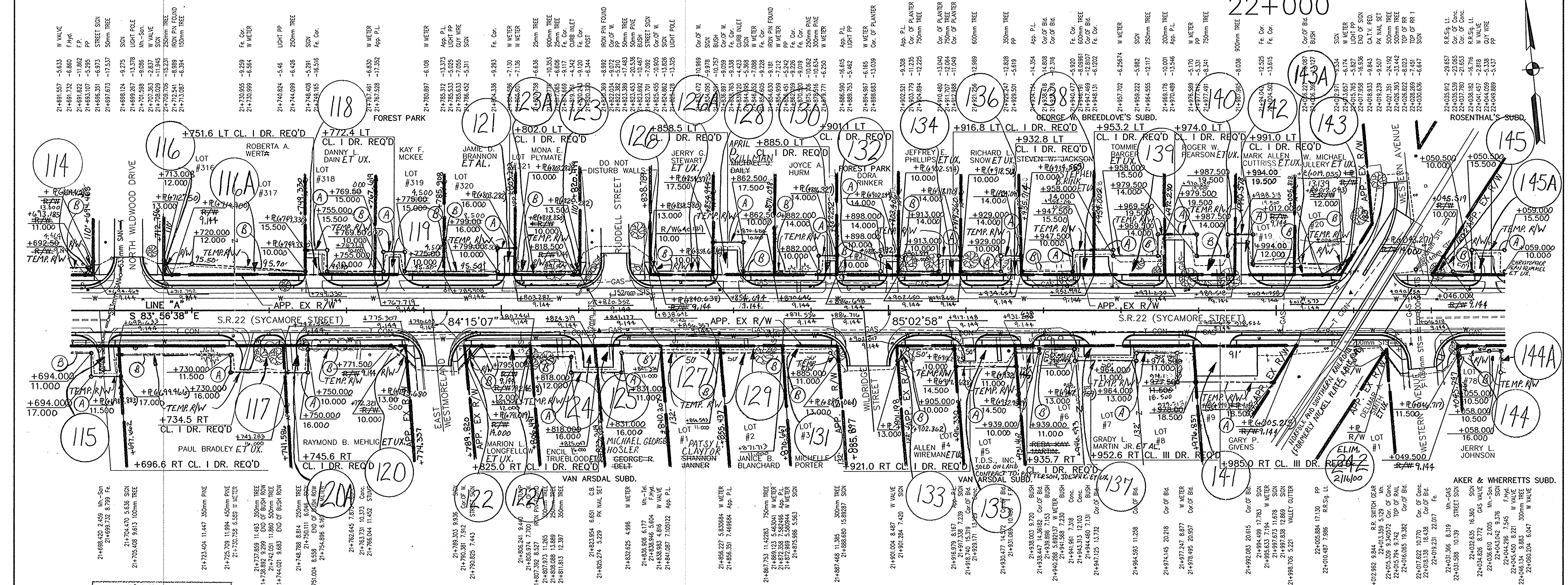
RECOMMENDED FOR APPROVAL: *Alan J. DeLuca* 12/14/99

DESIGNED: MAT DRAWN: DWD

CHECKED: AID CHECKED: AID

PLAN & PROFILE - STATE ROAD 22 LINE "A"

HORIZONTAL SCALE	BRIDGE FILE
1:500	
VERTICAL SCALE	DESIGNATION
1:100	8677420
SURVEY BOOK	SHEETS
ELECTRONIC	33 of 80
CONTRACT	PROJECT
	SIP-120-2(007)



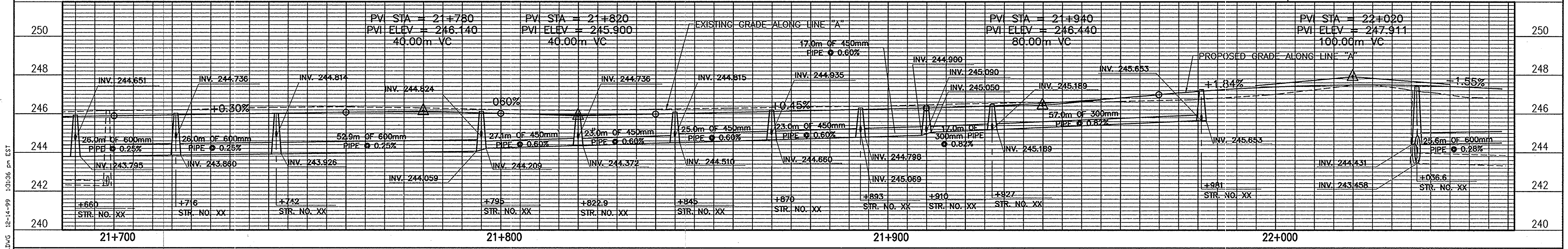
LEGEND
A - DRIVE CONSTRUCTION
B - YARD GRADING

SEC. 35 T-24-N R-3-E
CENTER TOWNSHIP,
HOWARD COUNTY

NOTE:
FOR DRAINAGE STRUCTURE CALL OUTS,
SEE CONSTRUCTION DETAIL SHEETS.

ALL R/W ON THIS SHEET TO BE AS SHOWN. ALL
R/W ON THIS SHEET DESCRIBED FROM LINE "A"
EXCEPT AS SHOWN.

BM#7 N.E. CORNER OF 2ND STEP OF SIDEWALK TO HOUSE 1703 W. SYCAMORE, STA. 21+688.361, 11.864 RT., EL. 246.464
BM#1 ALUM. MONUMENT NEXT TO TREE IN LAWN 1532 W. SYCAMORE, STA. 21+893.349, 5.761 LT., EL. 246.342



Professional Engineer Seal for Alan J. Conway, No. 20175, dated 12/14/99. Includes fields for Recommended for Approval, Design Engineer, and Date.

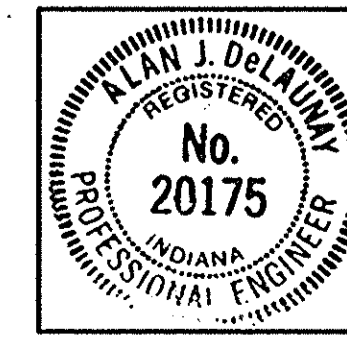
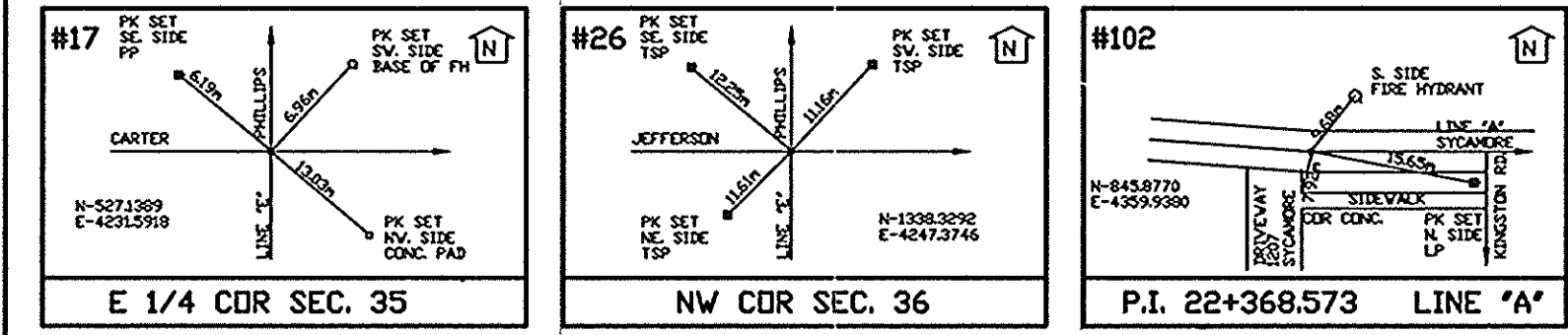
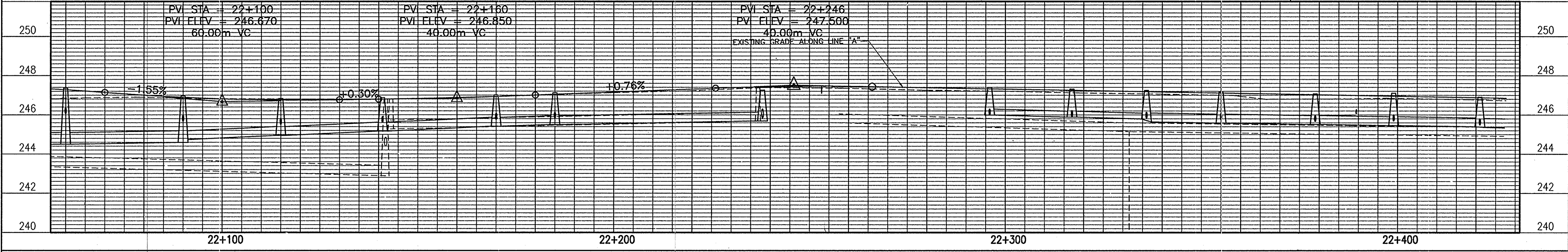
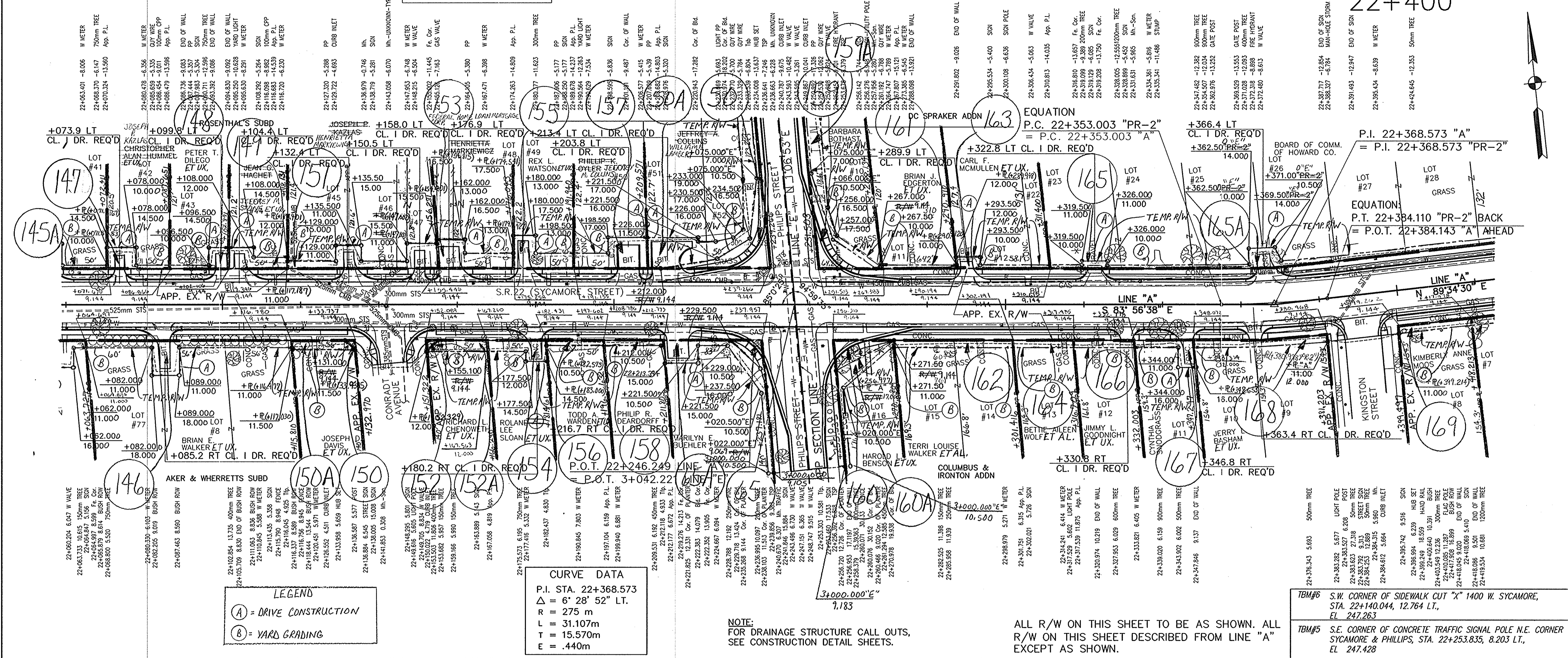
INDIANA DEPARTMENT OF TRANSPORTATION
PLAN & PROFILE - STATE ROAD 22
LINE "A"
Includes scales for horizontal and vertical dimensions, and a table for project details like survey book, sheets, and contract information.

P:\P2135\IN\CADD\PSH19.DWG 12-14-99 13:36 pm EST

FEDERAL ROAD DISTRICT NO.	STATE	PROJECT NO.	FISCAL YR.	SHEET NO.	TOTAL SHEETS
5	IND	STP-120-2(007)	2000	35	80

22+100 SEC. 35 T-24-N R-3-E 22+200 SEC. 36 T-24-N R-3-E 22+300
 CENTER TOWNSHIP HOWARD COUNTY CENTER TOWNSHIP HOWARD COUNTY

22+400



RECOMMENDED FOR APPROVAL: Alan J. Delaney, DESIGN ENGINEER, DATE: 12/14/99
 DESIGNED: MAT, DRAWN: DWD
 CHECKED: AJD, CHECKED: AJD

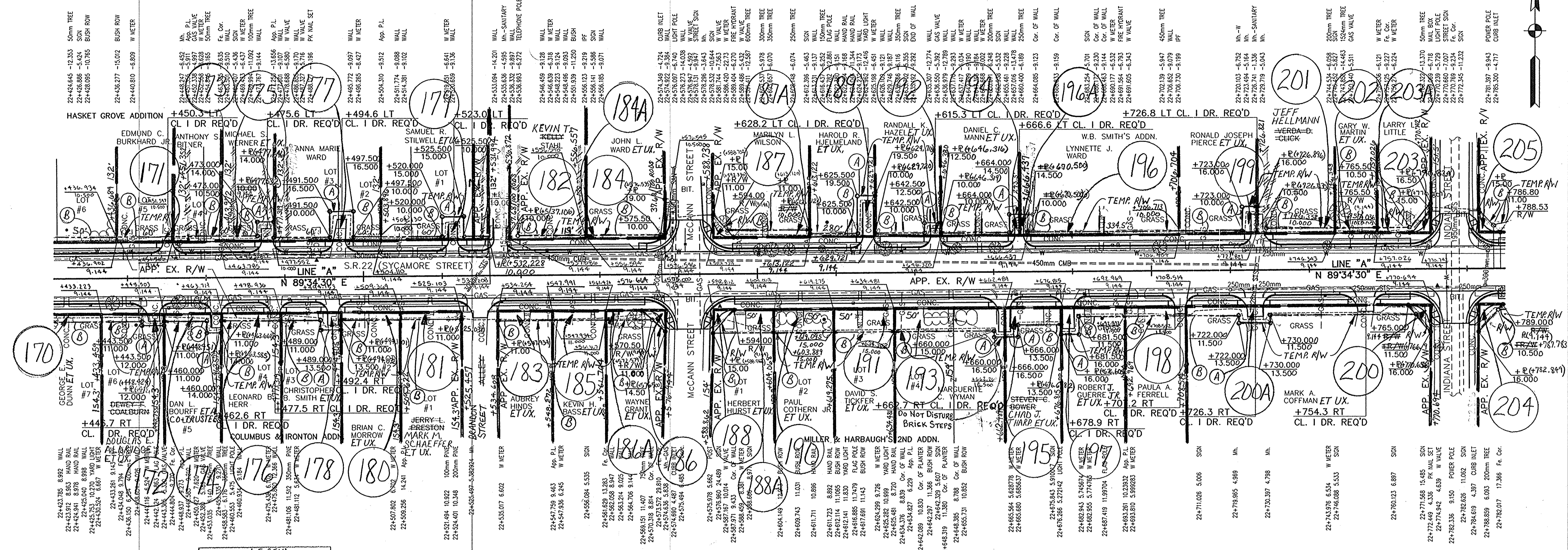
INDIANA DEPARTMENT OF TRANSPORTATION
 PLAN & PROFILE - STATE ROAD 22
 LINE "A"

HORIZONTAL SCALE	1:500	BRIDGE FILE	
VERTICAL SCALE	1:100	DESIGNATION	8677420
SURVEY BOOK	ELECTRONIC CONTRACT	SHEETS	35 of 80
		PROJECT	STP-120-2(007)

P:\P21951\CADD\RV\PE\SH10.DWG 12-20-99 9:58:54 pm BLACK

22+500 22+529.6 LINE "A" STREET APPROACH REQ'D LT. ALLEY
22+534.6 LINE "A" STREET APPROACH REQ'D LT. ALLEY
22+600 22+583.0 LINE "A" STREET APPROACH REQ'D LT. RT.

22+700 22+77.69 LINE "A" STREET APPROACH REQ'D LT. RT.



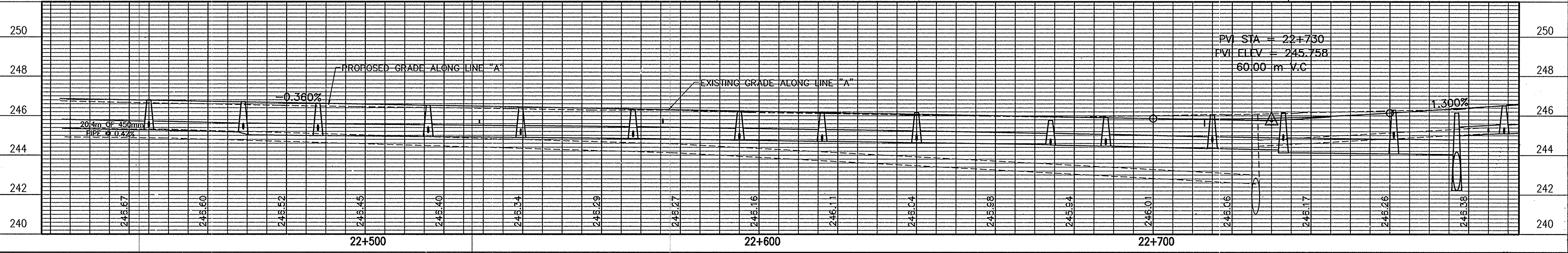
L.E. BEND
 (A) = DRIVE CONSTRUCTION
 (B) = YARD GRADING

SEC. 35 T-24-N R-3-E
 CENTER TOWNSHIP,
 HOWARD COUNTY

NOTE:
 FOR DRAINAGE STRUCTURE CALL OUTS,
 SEE CONSTRUCTION DETAIL SHEETS.

ALL R/W ON THIS SHEET TO BE AS SHOWN. ALL
 R/W ON THIS SHEET DESCRIBED FROM LINE "A"
 EXCEPT AS SHOWN.

TBM#4 S.E. CORNER OF SIDEWALK TO HOUSE CUT "X" 1022 W. SYCAMORE, STA 22+487.129, 12.354 LT., EL 246.986
 TBM#3 EAST END OF TOP 2ND STEP IN SIDEWALK TO HOUSE 824 W. SYCAMORE, STA 22+687.815, 11.26 LT., EL 246.321



P:\PROJECTS\INDIANA\INDIANAS\STP11.DWG 12-14-99 13395 PR EST

RECOMMENDED FOR APPROVAL
 [Signature] 12/16/99
 DESIGN ENGINEER

DESIGNED: MAT DRAWN: DWD
 CHECKED: AJD CHECKED: AJD

INDIANA DEPARTMENT OF TRANSPORTATION
 PLAN & PROFILE - STATE ROAD 22
 LINE "A"

HORIZONTAL SCALE	BRIDGE FILE
1:500	
VERTICAL SCALE	DESIGNATION
1:100	8877420
SURVEY BOOK	SHEETS
ELECTRONIC	36 of 80
CONTRACT	PROJECT
	STP-120-2(007)

22+800

22+900

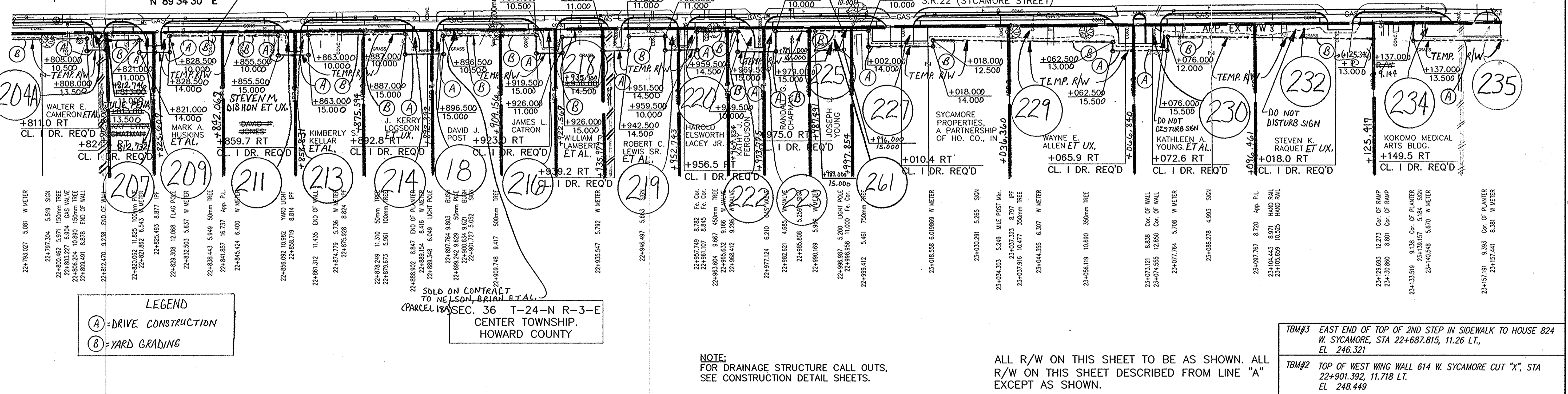
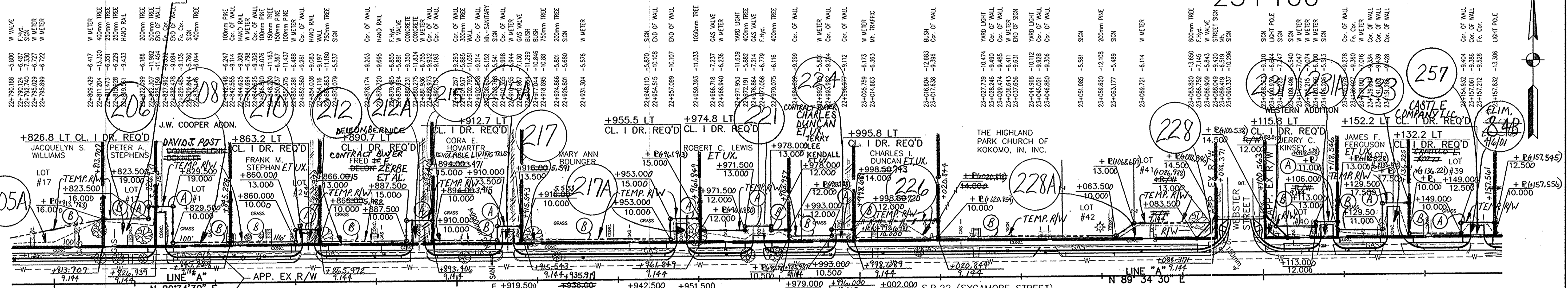
23+000

23+100

Do Not Disturb Drainage Tile, Building, Yard Light, Tree, Steps and Iron Railings.

23+094.3 LINE "A" STREET APPROACH REQ'D LT.

FEDERAL ROAD DISTRICT NO.	STATE	PROJECT NO.	FISCAL YR.	SHEET NO.	TOTAL SHEETS
5	IND	STP-120-2(007)	2000	37	80



LEGEND
 (A) = DRIVE CONSTRUCTION
 (B) = YARD GRADING

SOLD ON CONTRACT TO NELSON, BRIAN ET AL. (PARCEL 18) SEC. 36 T-24-N R-3-E CENTER TOWNSHIP, HOWARD COUNTY

NOTE: FOR DRAINAGE STRUCTURE CALL OUTS, SEE CONSTRUCTION DETAIL SHEETS.

ALL R/W ON THIS SHEET TO BE AS SHOWN. ALL R/W ON THIS SHEET DESCRIBED FROM LINE "A" EXCEPT AS SHOWN.

TBM#3 EAST END OF TOP OF 2ND STEP IN SIDEWALK TO HOUSE 824 W. SYCAMORE, STA 22+687.815, 11.26 LT., EL 246.321
 TBM#2 TOP OF WEST WING WALL 614 W. SYCAMORE CUT "X", STA 22+901.392, 11.718 LT., EL 248.449

P:\PREP\SI\CADD\PPSH\TIED\ING 12-14-99 14:25:58 PM EST



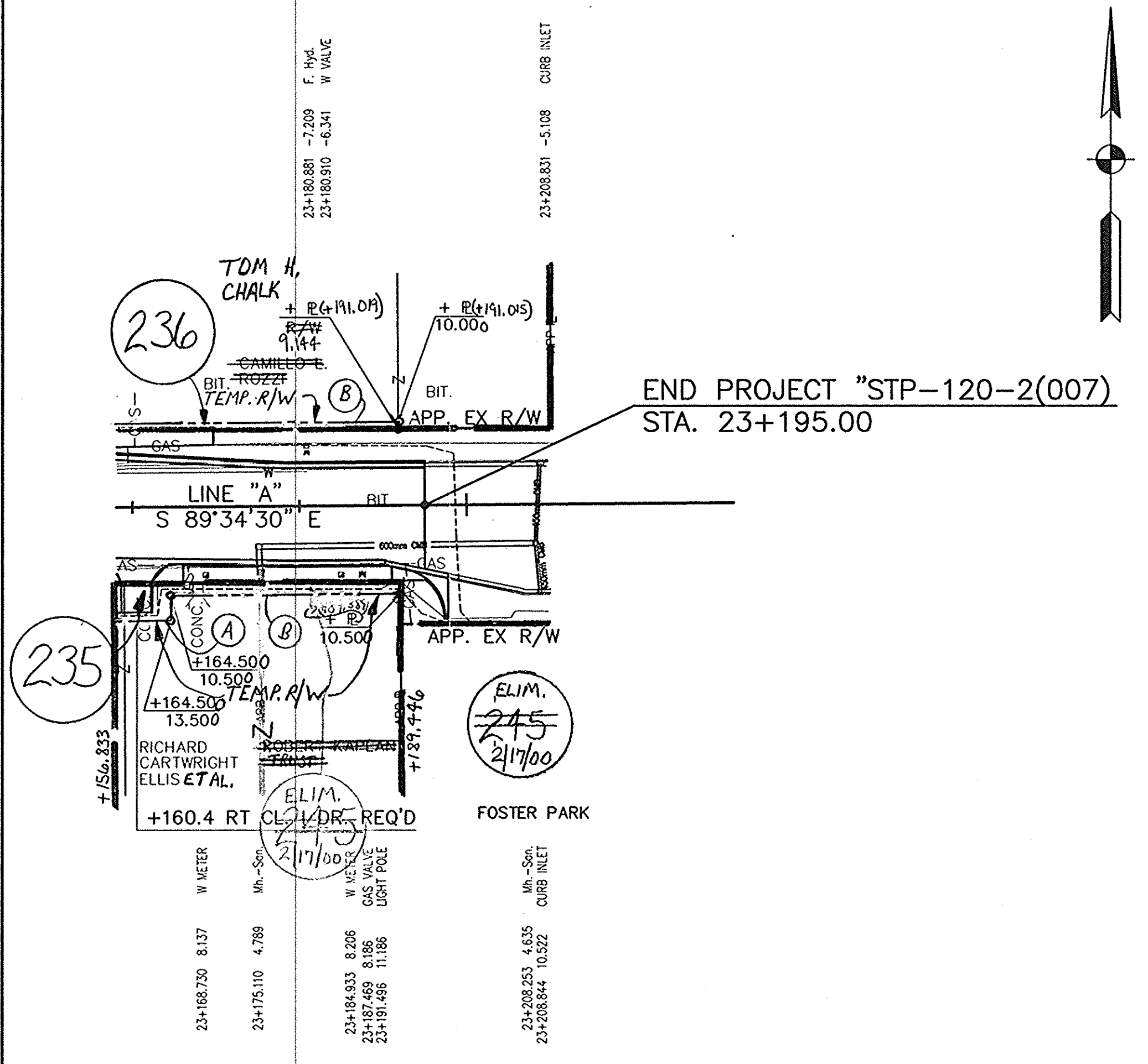
RECOMMENDED FOR APPROVAL: Alan J. DeLaney 12/14/99
 DESIGN ENGINEER DATE
 DESIGNED: MAT DRAWN: DWD
 CHECKED: AID CHECKED: AID

INDIANA DEPARTMENT OF TRANSPORTATION
 PLAN & PROFILE - STATE ROAD 22 LINE "A"

HORIZONTAL SCALE	BRIDGE FILE
1:500	
VERTICAL SCALE	DESIGNATION
1:100	8677420
SURVEY BOOK	SHEETS
ELECTRONIC CONTRACT	37 of 80
	PROJECT
	SIP-120-2(007)

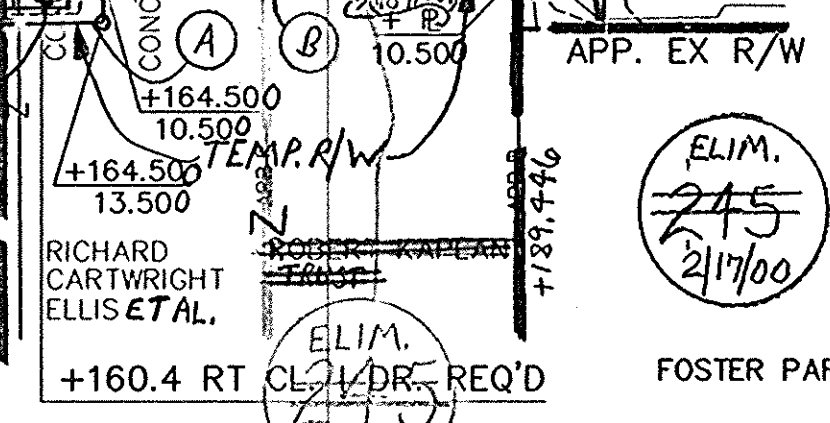
FEDERAL ROAD REGION NO.	STATE	PROJECT NO.	FISCAL YR.	SHEET NO.	TOTAL SHEETS
5	IND	STP-120-2(007)	2000	38	80

23+200



END PROJECT "STP-120-2(007)
STA. 23+195.00

235



ELIM.
215
217/00

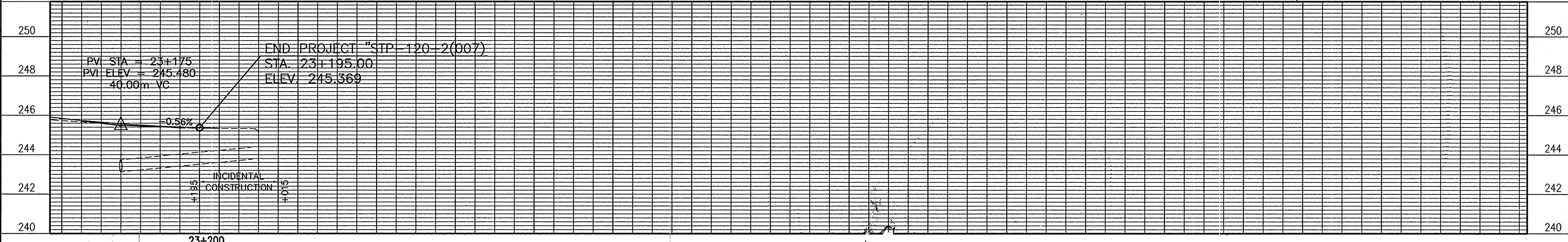
LEGEND
 (A) = DRIVE CONSTRUCTION
 (B) = YARD GRADING

SEC. 36 T-24-N R-3-E
 CENTER TOWNSHIP
 HOWARD COUNTY

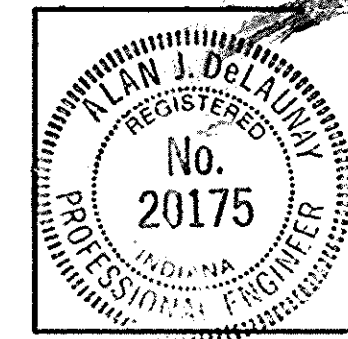
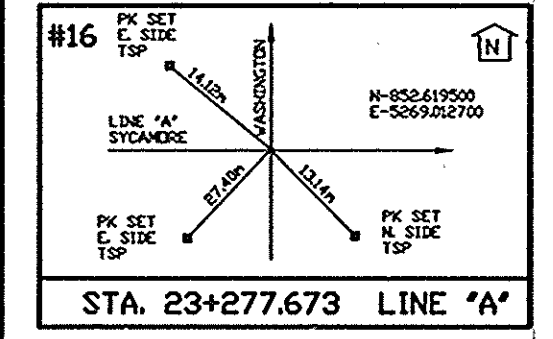
NOTE:
 FOR DRAINAGE STRUCTURE CALL OUTS,
 SEE CONSTRUCTION DETAIL SHEETS.

ALL R/W ON THIS SHEET TO BE AS SHOWN. ALL
 R/W ON THIS SHEET DESCRIBED FROM LINE "A"
 EXCEPT AS SHOWN.

TBM#2 TOP OF WEST WING WALL 614 W. SYCAMORE ST.,
 STA 22+901.392, 11.718 LT.
 EL 248.449



P:\PROJECTS\1400\1400\1400\1400.DWG 12-14-99 1:46:53 pm EST

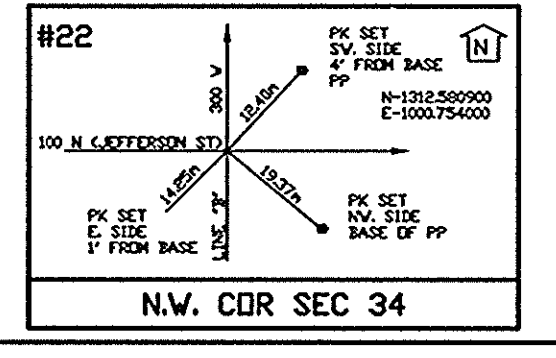
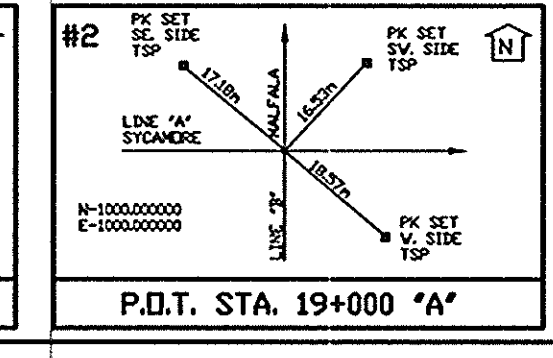
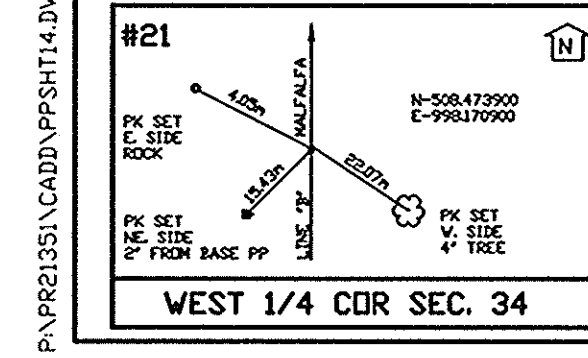
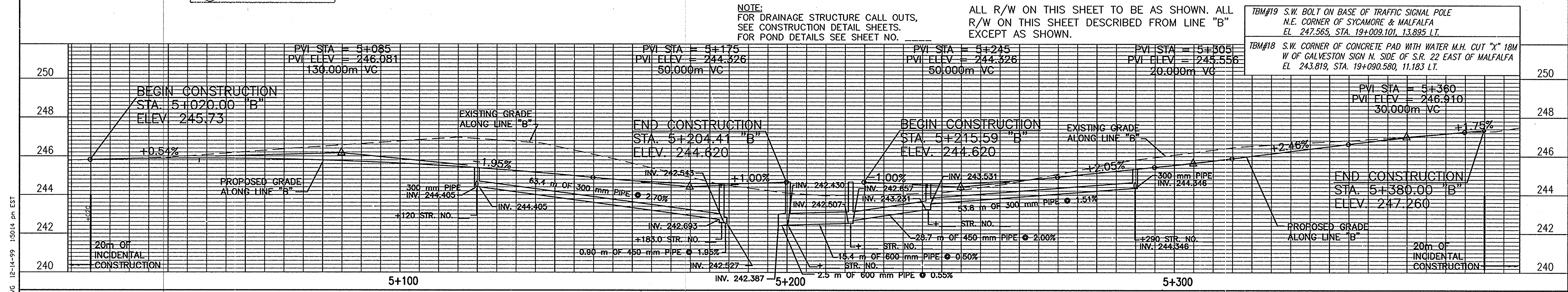
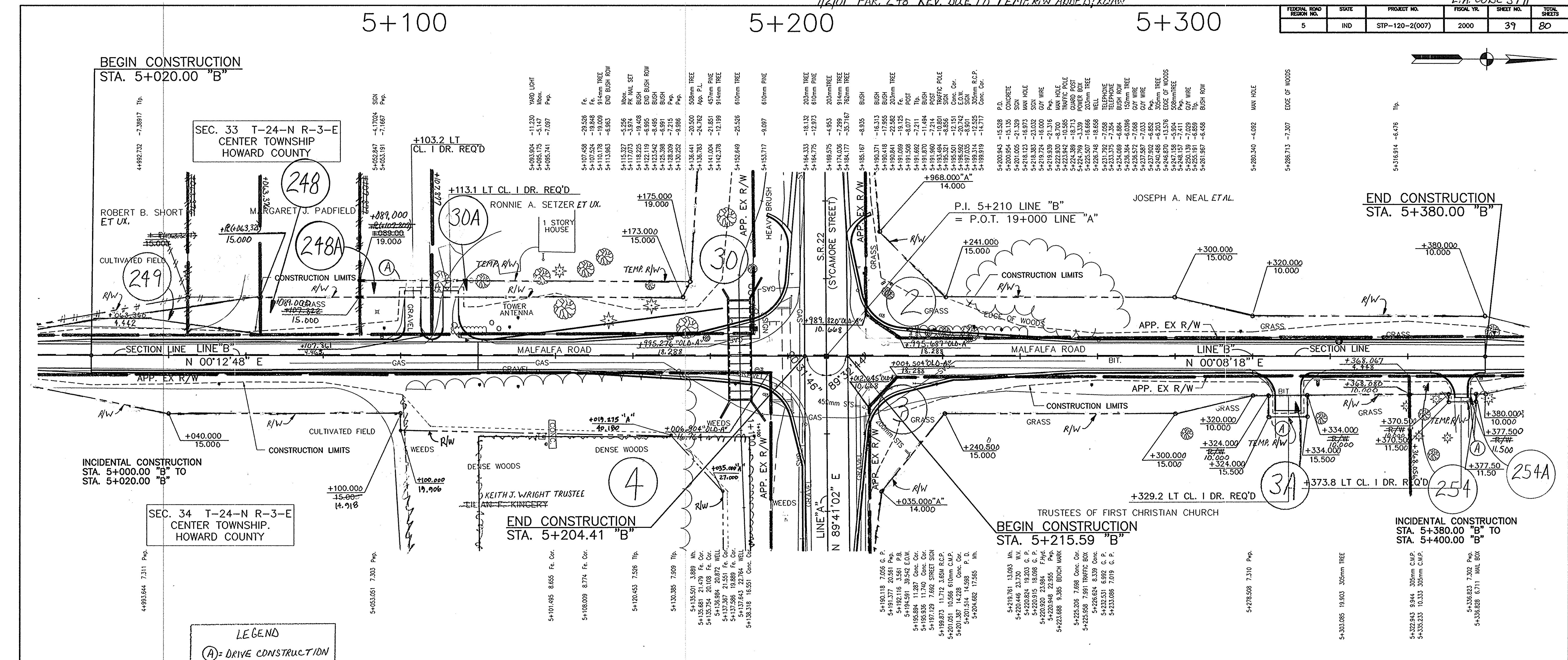


RECOMMENDED FOR APPROVAL: *Alan J. DeLainy* 12/14/99
 DESIGN ENGINEER DATE
 DESIGNED: MAT DRAWN: DWD
 CHECKED: AJD CHECKED: AJD

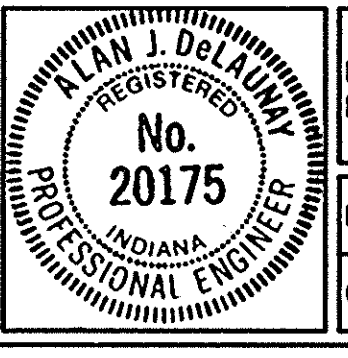
INDIANA DEPARTMENT OF TRANSPORTATION
 PLAN & PROFILE - STATE ROAD 22
 LINE "A"

HORIZONTAL SCALE 1:500	BRIDGE FILE
VERTICAL SCALE 1:100	DESIGNATION 8677420
SURVEY BOOK ELECTRONIC CONTRACT	SHEETS 38 of 80 PROJECT STP-120-2(007)

FEDERAL ROAD DISTRICT NO.	STATE	PROJECT NO.	FISCAL YR.	SHEET NO.	TOTAL SHEETS
5	IND	STP-120-2(007)	2000	39	80



REVISIONS		
NO.	DATE	REVISION
1	09/12/01	REVISED PARCEL 4 DUE TO DESIGN CHANGES - CHANGES DONE BY BURGESS & NIPLE, LIMITED



RECOMMENDED FOR APPROVAL	DESIGNED: MAT	DRAWN: DWD
CHECKED: AID	CHECKED: AID	DATE: 12/14/99

INDIANA DEPARTMENT OF TRANSPORTATION
 PLAN & PROFILE - MALFALFA RD. LINE "B"

HORIZONTAL SCALE	BRIDGE FILE
VERTICAL SCALE	DESIGNATION
SURVEY BOOK	SHEETS
ELECTRONIC CONTRACT	39 of 80
	PROJECT
	STP-120-2(007)

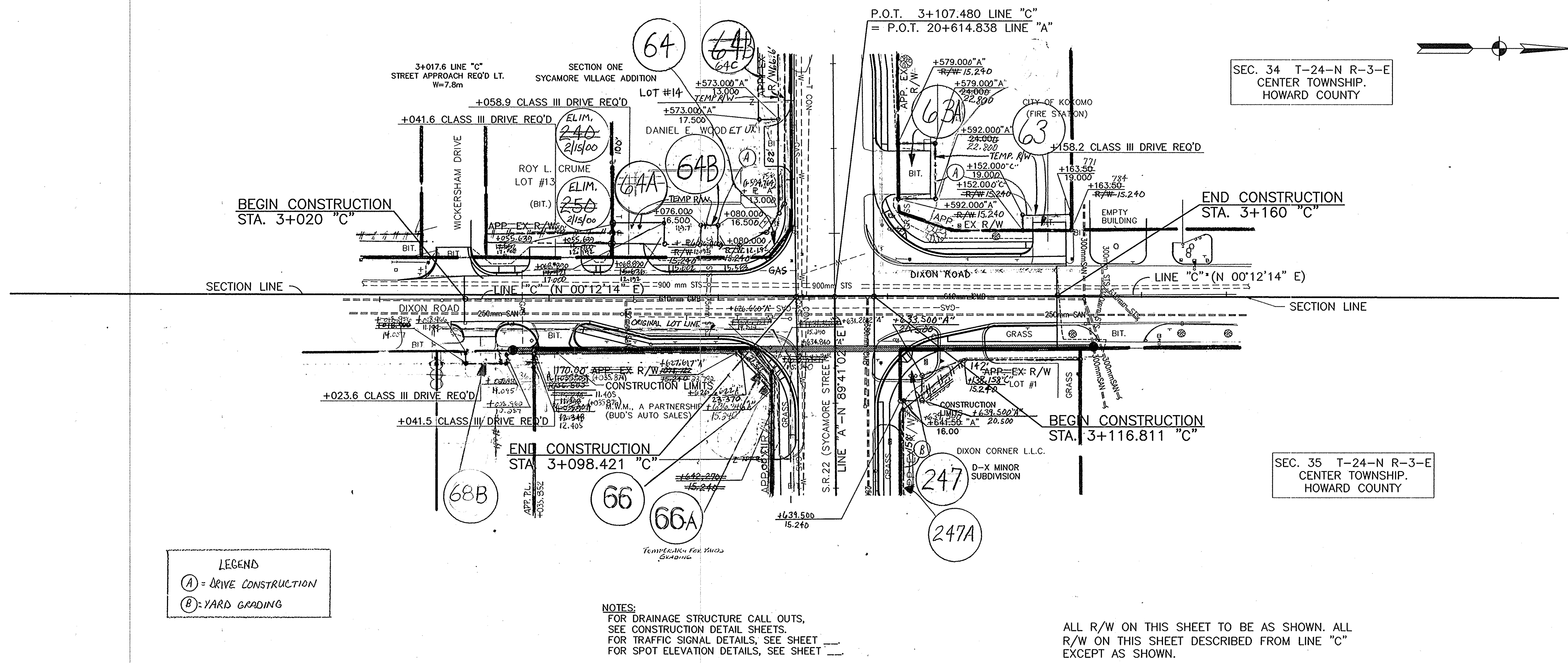
P:\PR21351\CADD\VP\SH14.DWG 12-14-99 15:04 PM EST

FEDERAL ROAD REGION NO.	STATE	PROJECT NO.	FISCAL YR.	SHEET NO.	TOTAL SHEETS
5	IND	STP-120-2(007)	2000	40	80

3+000

3+100

3+200



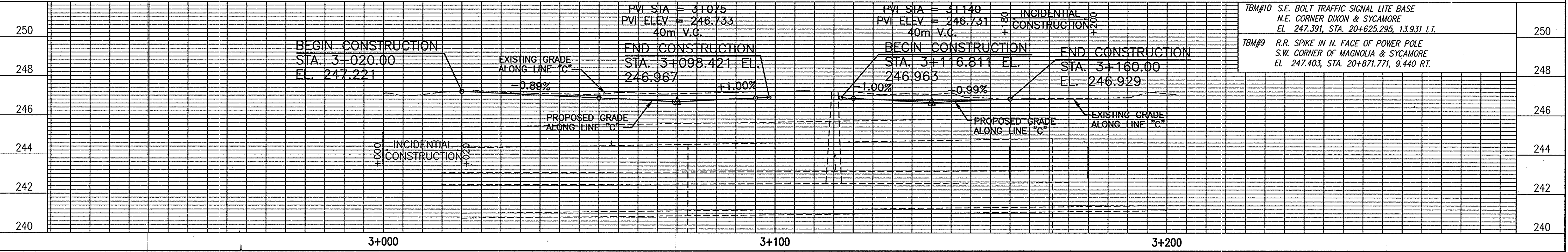
SEC. 34 T-24-N R-3-E
CENTER TOWNSHIP.
HOWARD COUNTY

SEC. 35 T-24-N R-3-E
CENTER TOWNSHIP.
HOWARD COUNTY

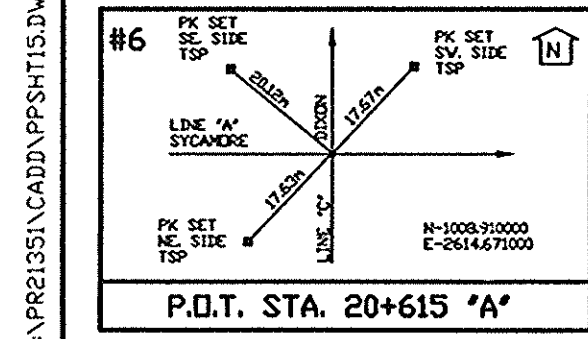
LEGEND
 (A) = DRIVE CONSTRUCTION
 (B) = YARD GRADING

NOTES:
 FOR DRAINAGE STRUCTURE CALL OUTS, SEE CONSTRUCTION DETAIL SHEETS.
 FOR TRAFFIC SIGNAL DETAILS, SEE SHEET ____
 FOR SPOT ELEVATION DETAILS, SEE SHEET ____

ALL R/W ON THIS SHEET TO BE AS SHOWN. ALL R/W ON THIS SHEET DESCRIBED FROM LINE "C" EXCEPT AS SHOWN.



TBM#10	S.E. BOLT TRAFFIC SIGNAL LITE BASE N.E. CORNER DIXON & SYCAMORE EL. 247.391, STA. 20+625.295, 13.931 LT.	250
TBM#9	R.R. SPIKE IN N. FACE OF POWER POLE S.W. CORNER OF MAGNOLIA & SYCAMORE EL. 247.403, STA. 20+871.771, 9.440 RT.	248



REVISIONS		
No.	DATE	REVISION
1	09/21/2001	REVISED PARCELS 64A, 64B, & 64C BY BURGESS & NIPLE, LIMITED DUE TO DESIGN CHANGES



RECOMMENDED FOR APPROVAL	<i>Alan J. Daulton</i> 12/14/99	DATE
DESIGNED:	MAT	DRAWN:
CHECKED:	AJD	CHECKED:

INDIANA DEPARTMENT OF TRANSPORTATION
 PLAN & PROFILE - DIXON ROAD
 LINE "C"

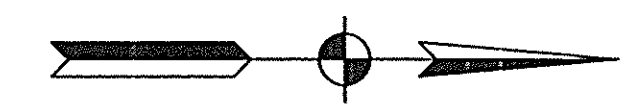
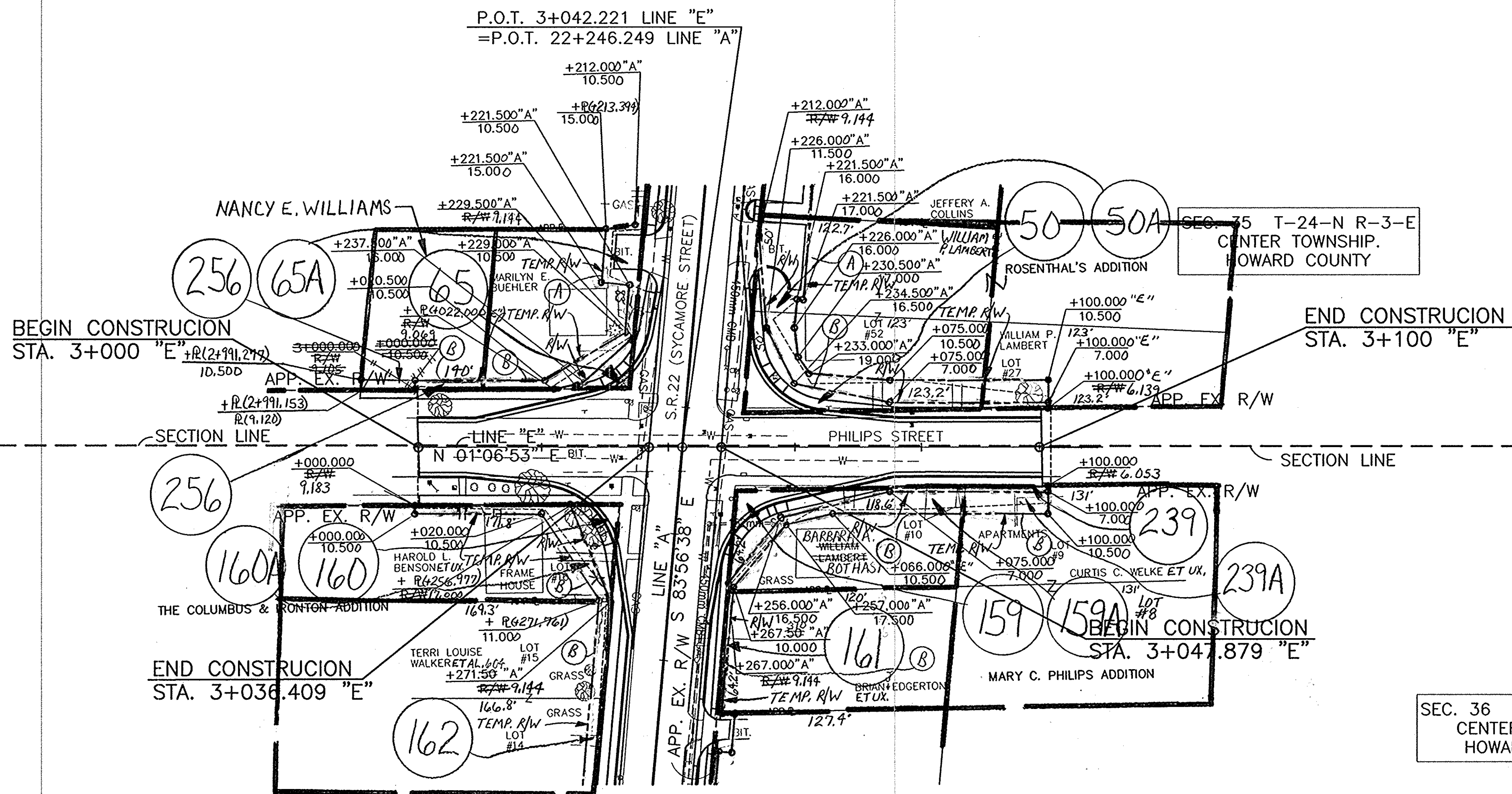
HORIZONTAL SCALE	1:500	BRIDGE FILE
VERTICAL SCALE	1:500	DESIGNATION
SURVEY BOOK	ELECTRONIC	SHEETS
CONTRACT	40 of 80	PROJECT
	STP-120-2(007)	

P:\PROJECTS\CADD\SPRINTS\12-14-99_152935.dwg 12-14-99 152935.dwg

FEDERAL ROAD REGION NO.	STATE	PROJECT NO.	FISCAL YR.	SHEET NO.	TOTAL SHEETS
5	IND	STP-120-2(007)	2000	42	80

3+000

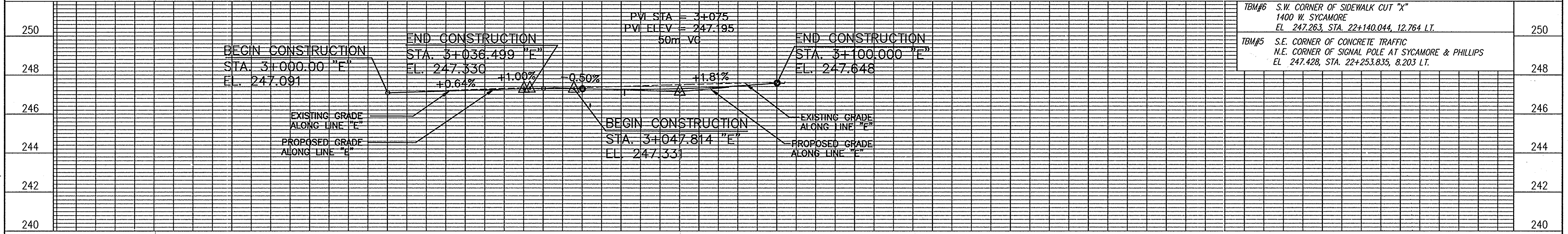
3+100



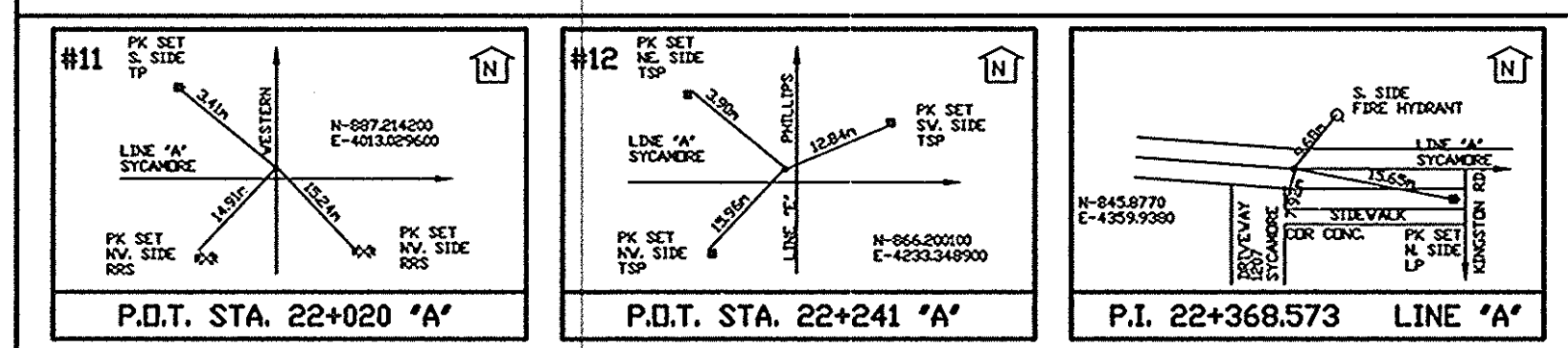
LEGEND
 (A) = DRIVE CONSTRUCTION
 (B) = YARD GRADING

NOTES:
 FOR DRAINAGE STRUCTURE CALL OUTS, SEE CONSTRUCTION DETAIL SHEETS.
 FOR TRAFFIC SIGNAL DETAILS, SEE SHEET ---
 FOR SPOT ELEVATION DETAILS, SEE SHEET ---

ALL R/W ON THIS SHEET TO BE AS SHOWN. ALL R/W ON THIS SHEET DESCRIBED FROM LINE "E" EXCEPT AS SHOWN.



P:\PR2151\CADD\PS\ST17.DWG 12-14-99 2:01:38 pm EST



RECOMMENDED FOR APPROVAL: *Alan J. Wolpert* 12/14/99
 DESIGN ENGINEER DATE
 DESIGNED: MAT DRAWN: DWD
 CHECKED: AJD CHECKED: AJD

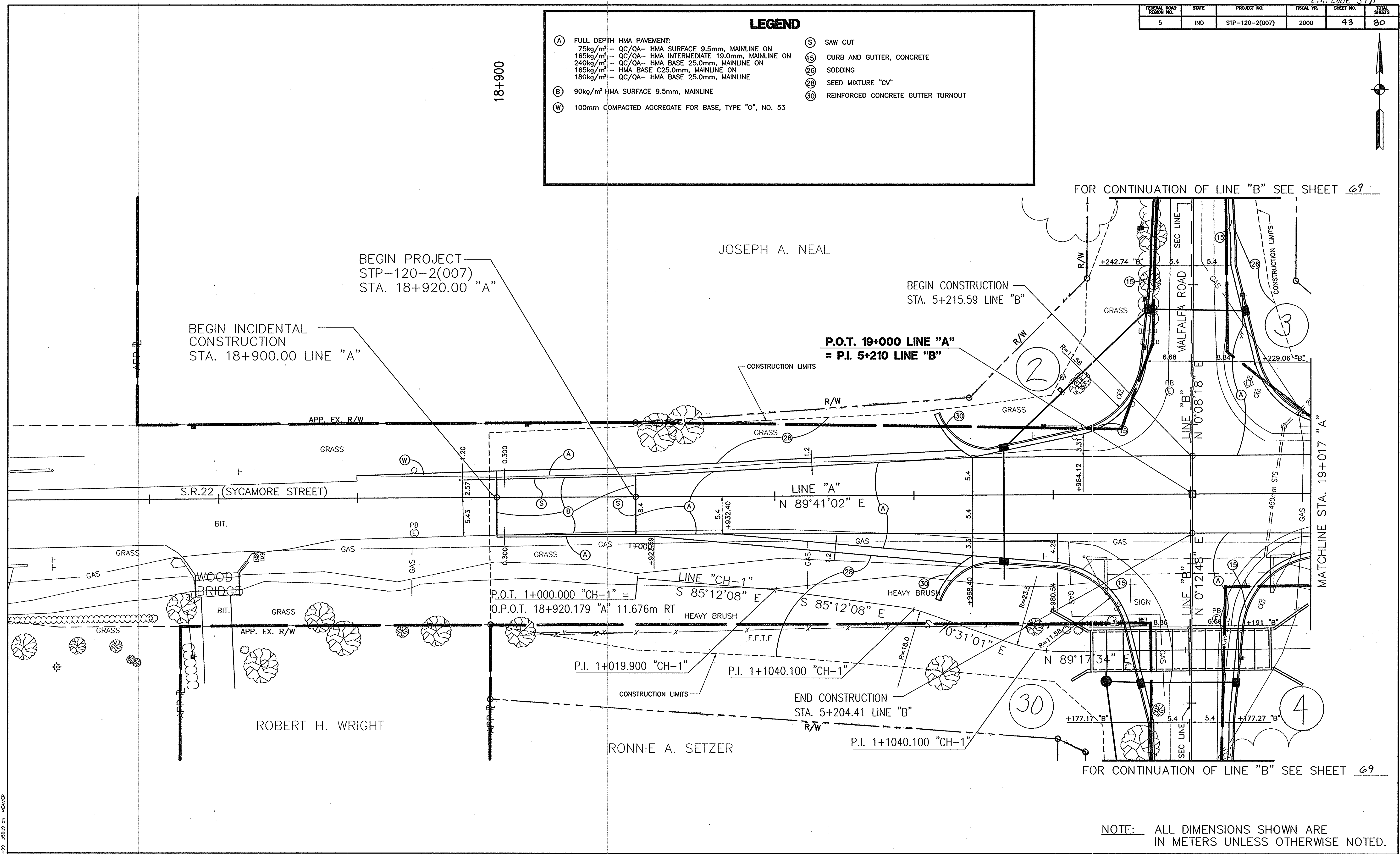
INDIANA DEPARTMENT OF TRANSPORTATION
 PLAN & PROFILE - PHILIPS ST. LINE "E"

HORIZONTAL SCALE 1:500	BRIDGE FILE
VERTICAL SCALE 1:100	DESIGNATION 8677420
SURVEY BOOK ELECTRONIC CONTRACT	SHEETS 42 of 80 PROJECT STP-120-2(007)

FEDERAL ROAD REGION NO.	STATE	PROJECT NO.	FISCAL YR.	SHEET NO.	TOTAL SHEETS
5	IND	STP-120-2(007)	2000	43	80

LEGEND

(A) FULL DEPTH HMA PAVEMENT: 75kg/m ² - QC/QA- HMA SURFACE 9.5mm, MAINLINE ON 165kg/m ² - QC/QA- HMA INTERMEDIATE 19.0mm, MAINLINE ON 240kg/m ² - QC/QA- HMA BASE 25.0mm, MAINLINE ON 165kg/m ² - HMA BASE C25.0mm, MAINLINE ON 180kg/m ² - QC/QA- HMA BASE 25.0mm, MAINLINE	(S) SAW CUT
(B) 90kg/m ² HMA SURFACE 9.5mm, MAINLINE	(15) CURB AND GUTTER, CONCRETE
(W) 100mm COMPACTED AGGREGATE FOR BASE, TYPE "0", NO. 53	(28) SODDING
	(29) SEED MIXTURE "CV"
	(30) REINFORCED CONCRETE GUTTER TURNOUT



NOTE: ALL DIMENSIONS SHOWN ARE IN METERS UNLESS OTHERWISE NOTED.

P:\PROJECTS\CAD\BUILDING 12-14-99 14819 pm WEAVER

	RECOMMENDED FOR APPROVAL	<i>Alan J. DeLuna</i>	12/14/99	INDIANA DEPARTMENT OF TRANSPORTATION CONSTRUCTION DETAILS - STATE ROAD 22 STA. 18+850 "A" TO STA. 19+017 "A"	HORIZONTAL SCALE	BRIDGE FILE
	DESIGNED:	DRAWN:	DATE		1:250	DESIGNATION
	CHECKED:	CHECKED:	DATE		1:50	8877420
					SURVEY BOOK	SHEETS
					ELECTRONIC	43 of 80
					CONTRACT	PROJECT
					STP-120-2(007)	

LEGEND

(A) FULL DEPTH HMA PAVEMENT:
 75kg/m² - QC/QA- HMA SURFACE 9.5mm, MAINLINE ON
 165kg/m² - QC/QA- HMA INTERMEDIATE 19.0mm, MAINLINE ON
 240kg/m² - QC/QA- HMA BASE 25.0mm, MAINLINE ON
 165kg/m² - HMA BASE C25.0mm, MAINLINE ON
 180kg/m² - QC/QA- HMA BASE 25.0mm, MAINLINE

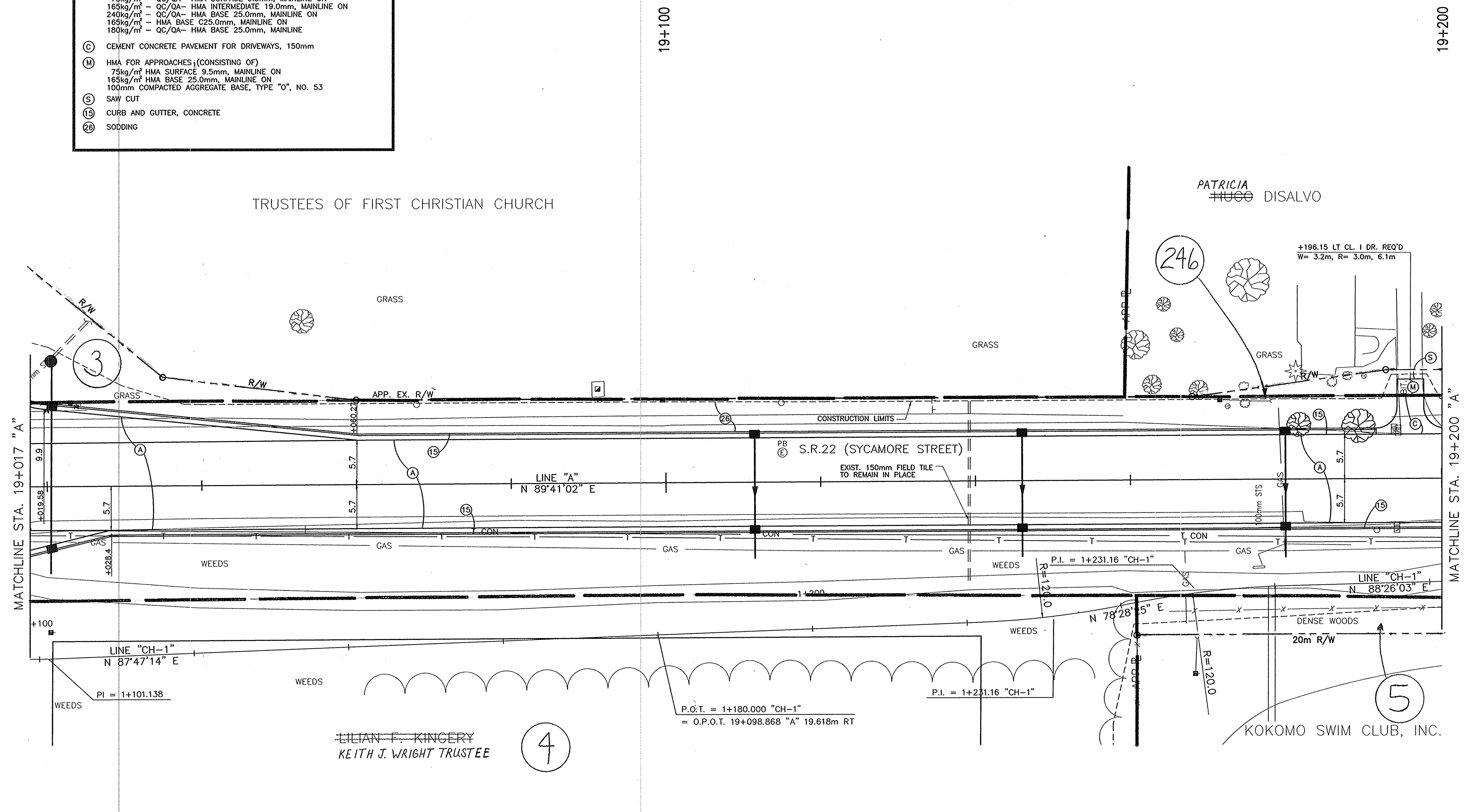
(C) CEMENT CONCRETE PAVEMENT FOR DRIVEWAYS, 150mm

(M) HMA FOR APPROACHES (CONSISTING OF)
 75kg/m² HMA SURFACE 9.5mm, MAINLINE ON
 165kg/m² HMA BASE 25.0mm, MAINLINE ON
 100mm COMPACTED AGGREGATE BASE, TYPE "O", NO. 53

(S) SAW CUT

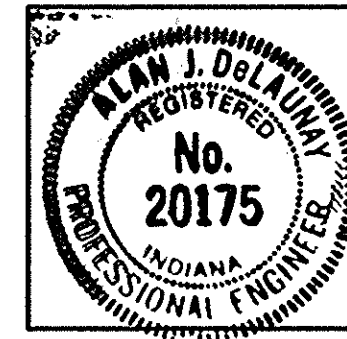
(15) CURB AND GUTTER, CONCRETE

(26) SODDING



LILIAN F. KINGERY
 KEITH J. WRIGHT TRUSTEE

NOTE: ALL DIMENSIONS SHOWN ARE IN METERS UNLESS OTHERWISE NOTED.



RECOMMENDED FOR APPROVAL	<i>Alan J. Delaney</i>	DATE	12/14/99
DESIGNED:	MAT	DRAWN:	DWD
CHECKED:	AJD	CHECKED:	AJD

INDIANA DEPARTMENT OF TRANSPORTATION

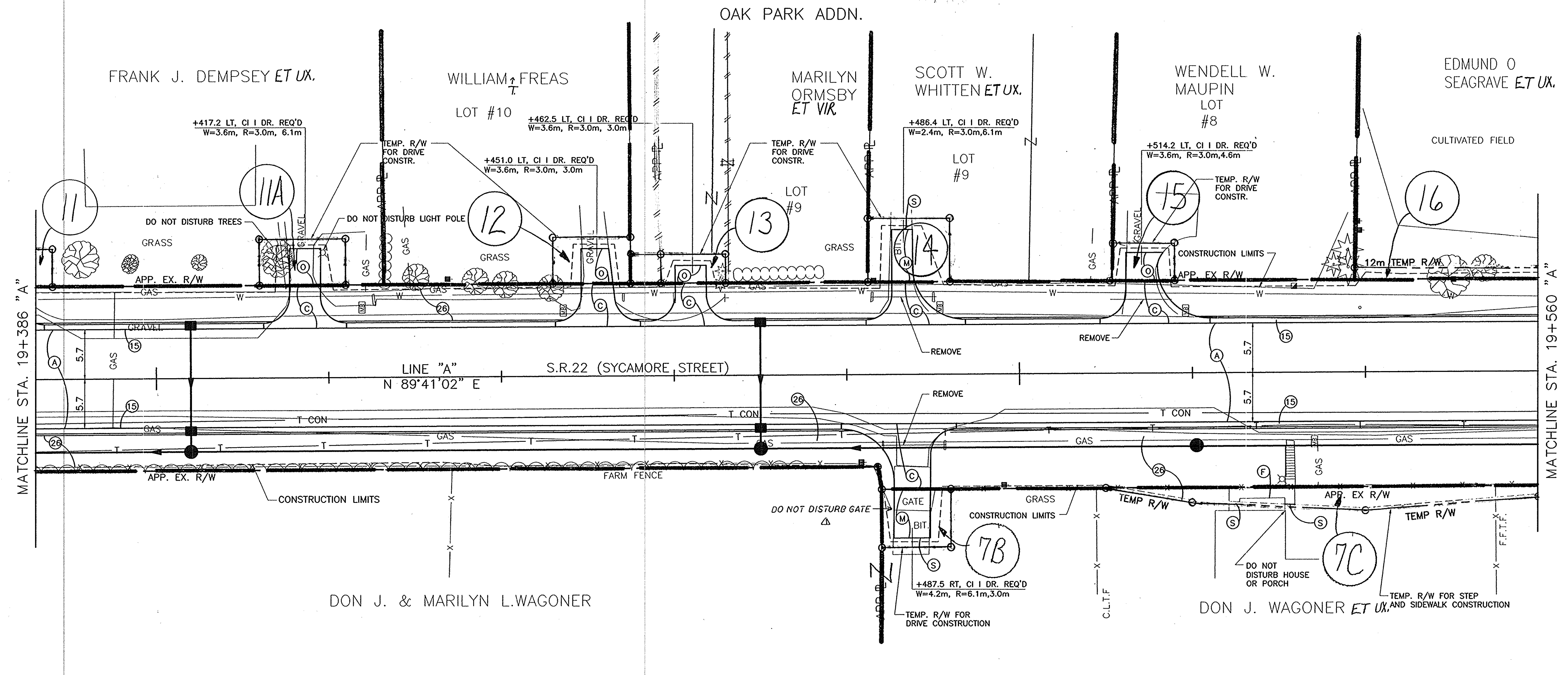
CONSTRUCTION DETAILS - STATE ROAD 22
 STA. 19+017 "A" TO STA. 19+200 "A"

HORIZONTAL SCALE	1:250	BRIDGE FILE	
VERTICAL SCALE	1:50	DESIGNATION	8677420
SURVEY BOOK		SHEETS	44 of 80
ELECTRONIC CONTRACT		PROJECT	STP-120-2(007)

18-14-99 80030 00 LCAVPS

LEGEND

(A) FULL DEPTH HMA PAVEMENT: 75kg/m ² - QC/QA- HMA SURFACE 9.5mm, MAINLINE ON 165kg/m ² - QC/QA- HMA INTERMEDIATE 19.0mm, MAINLINE ON 240kg/m ² - QC/QA- HMA BASE 25.0mm, MAINLINE ON 165kg/m ² - HMA BASE C25.0mm, MAINLINE ON 180kg/m ² - QC/QA- HMA BASE 25.0mm, MAINLINE	(S) SAW CUT
(C) CONCRETE APPROACH FOR DRIVEWAYS, 150mm	(15) CURB AND GUTTER, CONCRETE
(F) SIDEWALK, CONCRETE 150mm	(26) SODDING
(M) HMA FOR APPROACHES (CONSISTING OF): 75kg/m ² HMA SURFACE 9.5mm, MAINLINE ON 165kg/m ² HMA BASE 25.0mm, MAINLINE ON 100mm COMPACTED AGGREGATE BASE, TYPE "O", NO.53	
(O) 100mm COMPACTED AGGREGATE FOR SURFACE, TYPE "O", NO. 73	



NOTE: ALL DIMENSIONS SHOWN ARE IN METERS UNLESS OTHERWISE NOTED.

PAPER/ENCLOSURE/DATE 12-14-99 2:05:58 PM KEANE



RECOMMENDED FOR APPROVAL: *Alan J. DeLainy* 12/14/99
DESIGN ENGINEER DATE

DESIGNED: MAT DRAWN: DWD
CHECKED: AJD CHECKED: AJD

INDIANA DEPARTMENT OF TRANSPORTATION

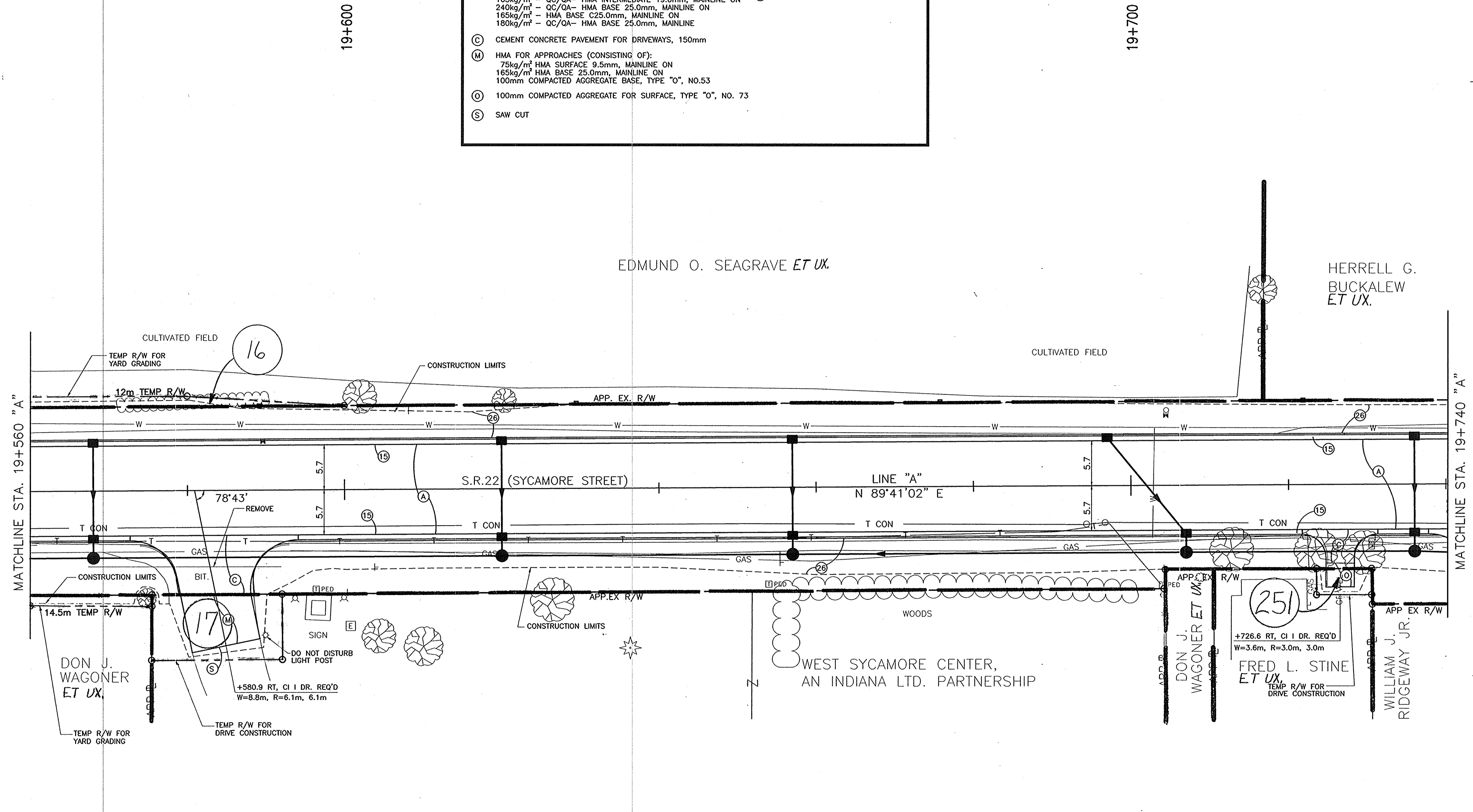
CONSTRUCTION DETAILS - STATE ROAD 22
STA. 19+386 "A" TO STA. 19+560 "A"

HORIZONTAL SCALE 1:250	BRIDGE FILE
VERTICAL SCALE 1:50	DESIGNATION 8677420
SURVEY BOOK ELECTRONIC CONTRACT	SHEETS 46 of 80 PROJECT STP-120-2(007)

FEDERAL ROAD REGION NO.	STATE	PROJECT NO.	FISCAL YR.	SHEET NO.	TOTAL SHEETS
5	IND	STP-120-2(007)	2000	47	80

LEGEND

(A) FULL DEPTH HMA PAVEMENT: 75kg/m ² - QC/QA- HMA SURFACE 9.5mm, MAINLINE ON 165kg/m ² - QC/QA- HMA INTERMEDIATE 19.0mm, MAINLINE ON 240kg/m ² - QC/QA- HMA BASE 25.0mm, MAINLINE ON 165kg/m ² - HMA BASE C25.0mm, MAINLINE ON 180kg/m ² - QC/QA- HMA BASE 25.0mm, MAINLINE	(15) CURB AND GUTTER, CONCRETE
(C) CEMENT CONCRETE PAVEMENT FOR DRIVEWAYS, 150mm	(26) SODDING
(M) HMA FOR APPROACHES (CONSISTING OF): 75kg/m ² HMA SURFACE 9.5mm, MAINLINE ON 165kg/m ² HMA BASE 25.0mm, MAINLINE ON 100mm COMPACTED AGGREGATE BASE, TYPE "O", NO.53	
(D) 100mm COMPACTED AGGREGATE FOR SURFACE, TYPE "O", NO. 73	
(S) SAW CUT	



NOTE: ALL DIMENSIONS SHOWN ARE IN METERS UNLESS OTHERWISE NOTED.

P:\PROJECTS\INDIANA\STP-120-2(007)\SHEET 47.DWG 2004 BY VEAGER



RECOMMENDED FOR APPROVAL	<i>Alan J. Delaney</i>	DATE	12/14/99
DESIGNED:	MAT	DRAWN:	DWD
CHECKED:	AJD	CHECKED:	AJD

INDIANA DEPARTMENT OF TRANSPORTATION

CONSTRUCTION DETAILS - STATE ROAD 22
STA. 19+560 "A" TO STA. 19+740 "A"

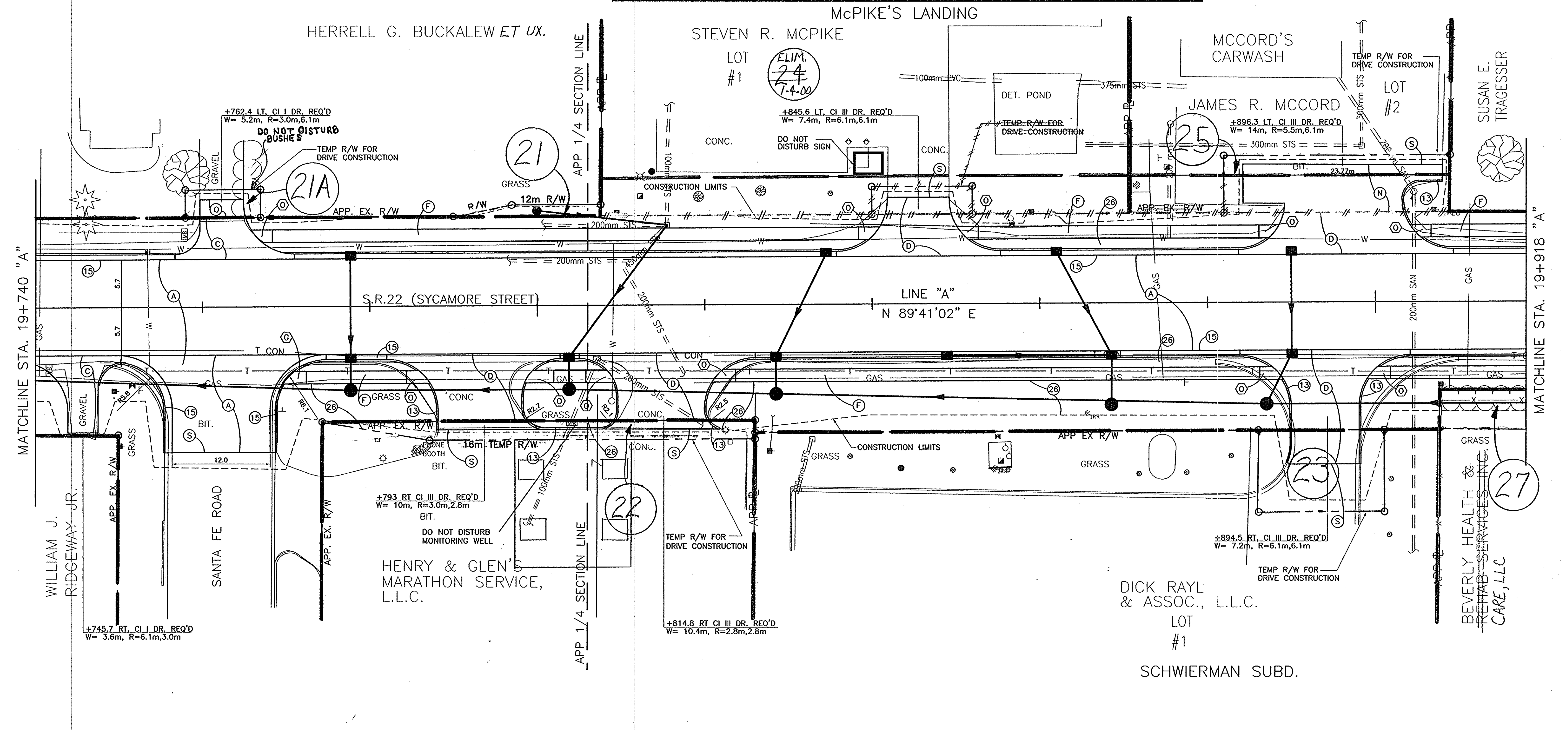
HORIZONTAL SCALE	BRIDGE FILE
1:250	
VERTICAL SCALE	DESIGNATION
1:50	8677420
SURVEY BOOK	SHEETS
ELECTRONIC CONTRACT	47 of 80
	PROJECT
	STP-120-2(007)

FEDERAL ROAD DISTRICT NO.	STATE	PROJECT NO.	FISCAL YR.	SHEET NO.	TOTAL SHEETS
5	IND	STP-120-2(007)	2000	48	80

REV. 4-25-01, ADDED DO NOT DISTURB NOTE @ STA. 19+766.594LT.
M.E. HALL

LEGEND

(A) FULL DEPTH HMA PAVEMENT: 75kg/m ² - QC/QA - HMA SURFACE 9.5mm, MAINLINE ON 165kg/m ² - QC/QA - HMA INTERMEDIATE 19.0mm, MAINLINE ON 240kg/m ² - QC/QA - HMA BASE 25.0mm, MAINLINE ON 165kg/m ² - HMA BASE C25.0mm, MAINLINE ON 180kg/m ² - QC/QA - HMA BASE 25.0mm, MAINLINE	(S) SAW CUT
(C) CEMENT CONCRETE PAVEMENT FOR DRIVEWAYS, 150mm	(R) CURB RAMP, (AS NOTED)
(D) CEMENT CONCRETE PAVEMENT FOR DRIVEWAYS, 150mm ON 150mm COMPACTED AGGREGATE FOR BASE, TYPE "O", NO. 53	(13) CONCRETE CURB
(F) SIDEWALK, CONCRETE 150mm	(15) CURB AND GUTTER, CONCRETE
(N) HMA FOR APPROACHES (CONSISTING OF): 75kg/m ² - QC/QA - HMA SURFACE 9.5mm, MAINLINE ON 165kg/m ² - QC/QA - HMA BASE 25.0mm, MAINLINE ON 200mm COMPACTED AGGREGATE BASE, TYPE "O", NO. 53	(26) SODDING
(O) 100mm COMPACTED AGGREGATE FOR SURFACE, TYPE "O", NO. 73	



MATCHLINE STA. 19+740 "A"

MATCHLINE STA. 19+918 "A"

19+800

19+900

NOTE: ALL DIMENSIONS SHOWN ARE IN METERS UNLESS OTHERWISE NOTED.



RECOMMENDED FOR APPROVAL	<i>Alan J. DeLaney</i> 12/14/99
DESIGNED:	MAT
DRAWN:	DWD
CHECKED:	AJD
CHECKED:	AJD

INDIANA DEPARTMENT OF TRANSPORTATION

CONSTRUCTION DETAILS - STATE ROAD 22
STA. 19+740 "A" TO STA. 19+918 "A"

HORIZONTAL SCALE	BRIDGE FILE
1:250	
VERTICAL SCALE	DESIGNATION
1:50	8677420
SURVEY BOOK	SHEETS
ELECTRONIC	48 of 80
CONTRACT	PROJECT
	STP-120-2(007)

P:\PROJECTS\2000\STP120\2000.DWG 12-14-99 9:42:07 AM VENER

FEDERAL ROAD REGION NO.	STATE	PROJECT NO.	FISCAL YR.	SHEET NO.	TOTAL SHEETS
5	IND	STP-120-2(007)	2000	49	80

LEGEND

(A) FULL DEPTH HMA PAVEMENT:
 75kg/m² - QC/QA- HMA SURFACE 9.5mm, MAINLINE ON
 165kg/m² - QC/QA- HMA INTERMEDIATE 19.0mm, MAINLINE ON
 240kg/m² - QC/QA- HMA BASE 25.0mm, MAINLINE ON
 165kg/m² - HMA BASE C25.0mm, MAINLINE ON
 180kg/m² - QC/QA- HMA BASE 25.0mm, MAINLINE

(C) CEMENT CONCRETE PAVEMENT FOR DRIVEWAYS, 150mm

(F) SIDEWALK, CONCRETE 150mm

(M) HMA FOR APPROACHES (CONSISTING OF):
 75kg/m² HMA SURFACE 9.5mm, MAINLINE ON
 165kg/m² HMA BASE 25.0mm, MAINLINE ON
 100mm COMPACTED AGGREGATE BASE, TYPE "O", NO. 53

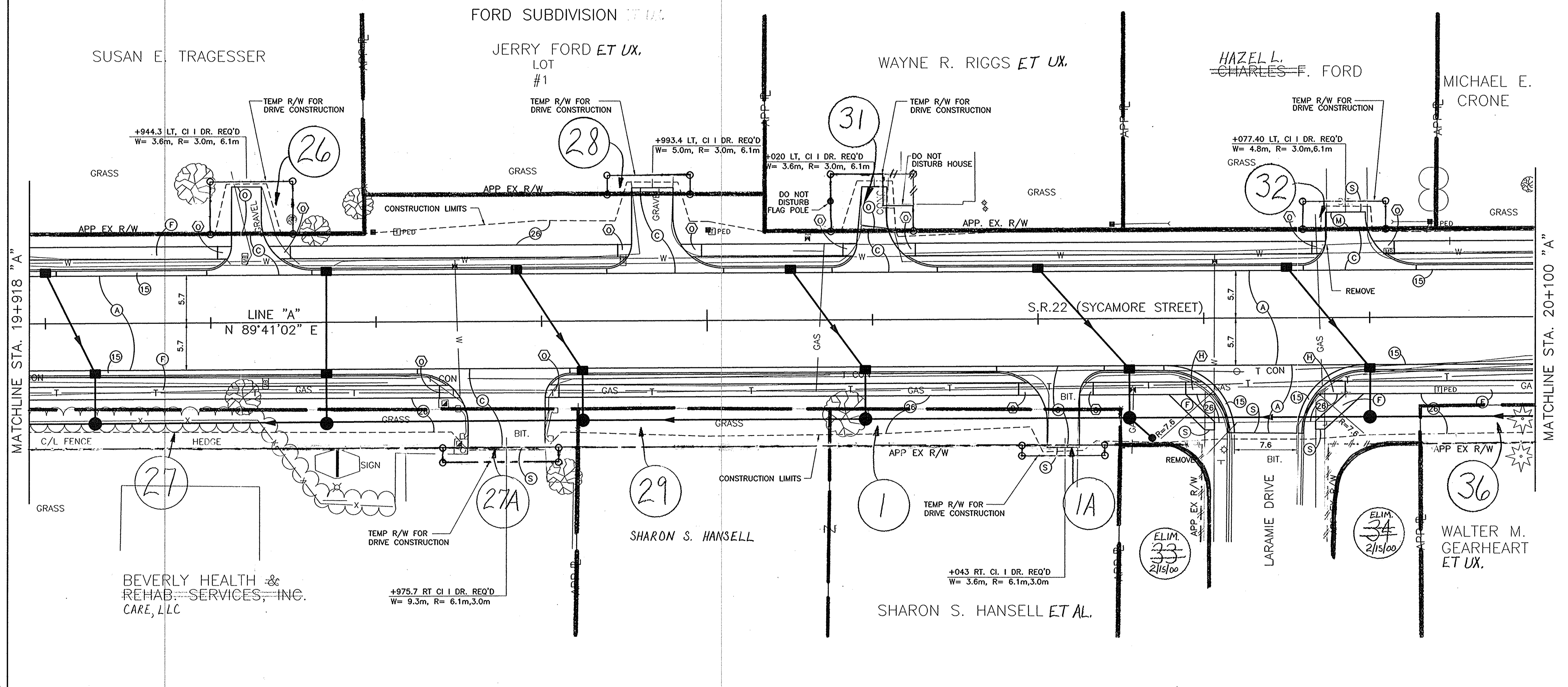
(O) 100mm COMPACTED AGGREGATE FOR SURFACE, TYPE "O", NO. 73

(S) SAW CUT

(◻) CURB RAMP (AS NOTED)

(15) CURB AND GUTTER, CONCRETE

(26) SODDING



NOTE: ALL DIMENSIONS SHOWN ARE IN METERS UNLESS OTHERWISE NOTED.

P:\PREL\30\CAD\SET\JOB_12-14-99_12-30-02.dwg GRIFT1



RECOMMENDED FOR APPROVAL	<i>Alan J. Delaney</i> 12/14/99	DATE
DESIGNED:	MAT	DRAWN:
CHECKED:	AJD	CHECKED:
		DWD
		AJD

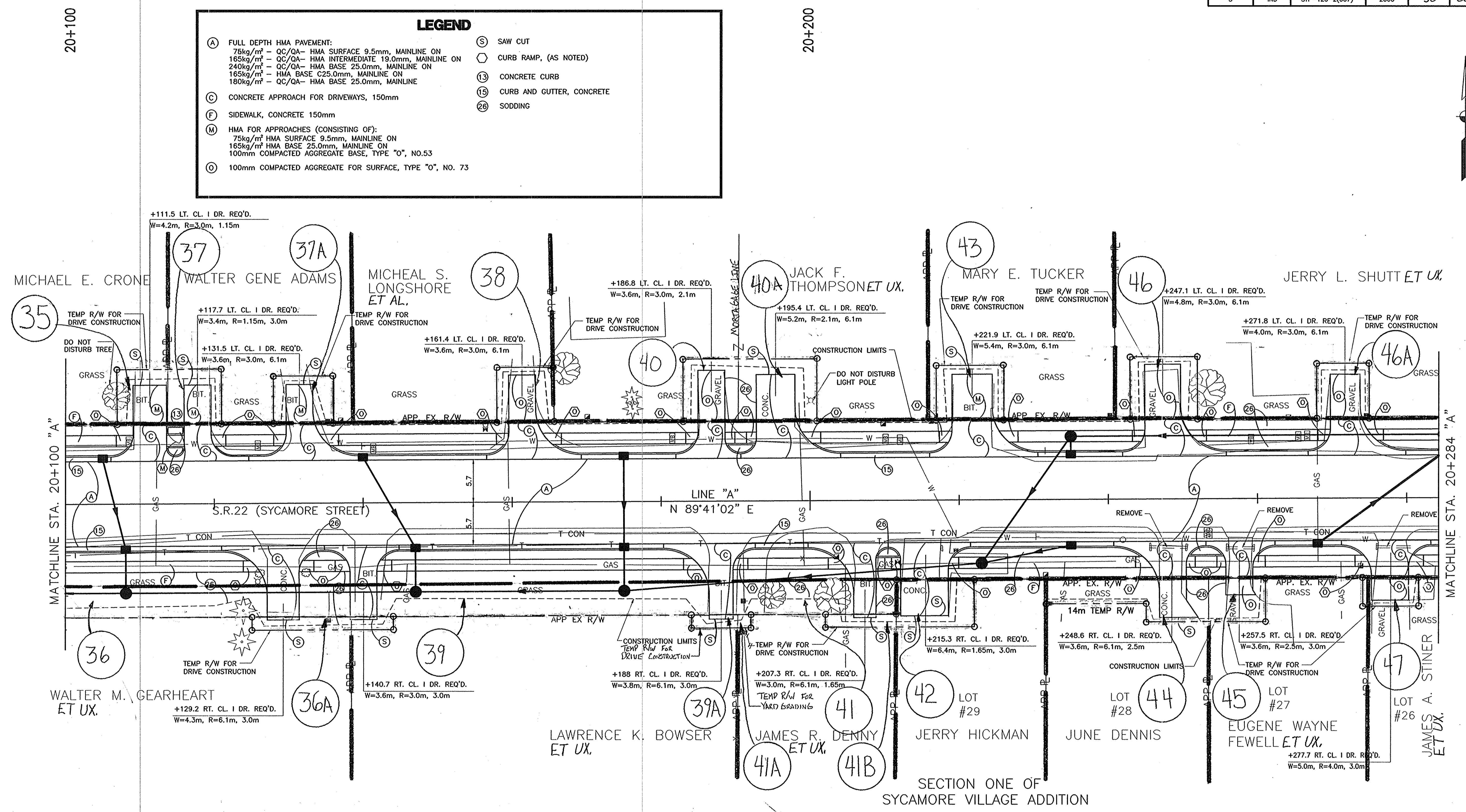
INDIANA DEPARTMENT OF TRANSPORTATION

CONSTRUCTION DETAILS - STATE ROAD 22
 STA. 19+918 "A" TO STA. 20+100 "A"

HORIZONTAL SCALE	1:250	BRIDGE FILE
VERTICAL SCALE	1:50	DESIGNATION
SURVEY BOOK		SHEETS
ELECTRONIC		49 of 80
CONTRACT		PROJECT
		STP-120-2(007)

LEGEND

(A) FULL DEPTH HMA PAVEMENT: 75kg/m ² - QC/QA - HMA SURFACE 9.5mm, MAINLINE ON 165kg/m ² - QC/QA - HMA INTERMEDIATE 19.0mm, MAINLINE ON 240kg/m ² - QC/QA - HMA BASE 25.0mm, MAINLINE ON 165kg/m ² - HMA BASE C25.0mm, MAINLINE ON 180kg/m ² - QC/QA - HMA BASE 25.0mm, MAINLINE	(S) SAW CUT
(C) CONCRETE APPROACH FOR DRIVEWAYS, 150mm	(O) CURB RAMP, (AS NOTED)
(F) SIDEWALK, CONCRETE 150mm	(13) CONCRETE CURB
(M) HMA FOR APPROACHES (CONSISTING OF): 75kg/m ² HMA SURFACE 9.5mm, MAINLINE ON 165kg/m ² HMA BASE 25.0mm, MAINLINE ON 100mm COMPACTED AGGREGATE BASE, TYPE "O", NO.53	(15) CURB AND GUTTER, CONCRETE
(O) 100mm COMPACTED AGGREGATE FOR SURFACE, TYPE "O", NO. 73	(28) SODDING



NOTE: ALL DIMENSIONS SHOWN ARE IN METERS UNLESS OTHERWISE NOTED.

P:\PROJECTS\CAD\STP120.DWG 12-14-99 11:46:43 am GRIFFI



RECOMMENDED FOR APPROVAL: *Alan J. DeLaney* 12/14/99
DESIGN ENGINEER DATE

DESIGNED: MAT DRAWN: DWD
CHECKED: AJD CHECKED: AJD

INDIANA DEPARTMENT OF TRANSPORTATION

CONSTRUCTION DETAILS - STATE ROAD 22
STA. 20+100 "A" TO STA. 20+284 "A"

HORIZONTAL SCALE 1:250	BRIDGE FILE
VERTICAL SCALE 1:50	DESIGNATION 8877420
SURVEY BOOK ELECTRONIC CONTRACT	SHEETS 50 of 80 PROJECT STP-120-2(007)

FEDERAL ROAD REGION NO.	STATE	PROJECT NO.	FISCAL YR.	SHEET NO.	TOTAL SHEETS
5	IND	STP-120-2(007)	2000	51	80

20+300

20+400

STA. 20+325.10 "A"
STREET APPROACH REQ'D RT.
W=6.7m

LEGEND

(A) FULL DEPTH HMA PAVEMENT:
75kg/m² - QC/QA- HMA SURFACE 9.5mm, MAINLINE ON
165kg/m² - QC/QA- HMA INTERMEDIATE 19.0mm, MAINLINE ON
240kg/m² - QC/QA- HMA BASE 25.0mm, MAINLINE ON
165kg/m² - HMA BASE C25.0mm, MAINLINE ON
180kg/m² - QC/QA- HMA BASE 25.0mm, MAINLINE

(B) HMA FOR APPROACHES (CONSISTING OF):
75kg/m² - QC/QA- HMA SURFACE 9.5mm, MAINLINE ON
165kg/m² - QC/QA- HMA BASE 25.0mm, MAINLINE ON
200mm COMPACTED AGGREGATE BASE, TYPE "O", NO. 53

(C) CEMENT CONCRETE PAVEMENT FOR DRIVEWAYS, 150mm

(D) CEMENT CONCRETE PAVEMENT FOR DRIVEWAYS, 150mm ON
150mm COMPACTED AGGREGATE FOR BASE, TYPE "O", NO. 53

(F) SIDEWALK, CONCRETE 150mm

(M) HMA FOR APPROACHES (CONSISTING OF):
75kg/m² HMA SURFACE 9.5mm, MAINLINE ON
165kg/m² HMA BASE 25.0mm, MAINLINE ON
100mm COMPACTED AGGREGATE BASE, TYPE "O", NO.53

(O) 100mm COMPACTED AGGREGATE FOR SURFACE, TYPE "O", NO. 73

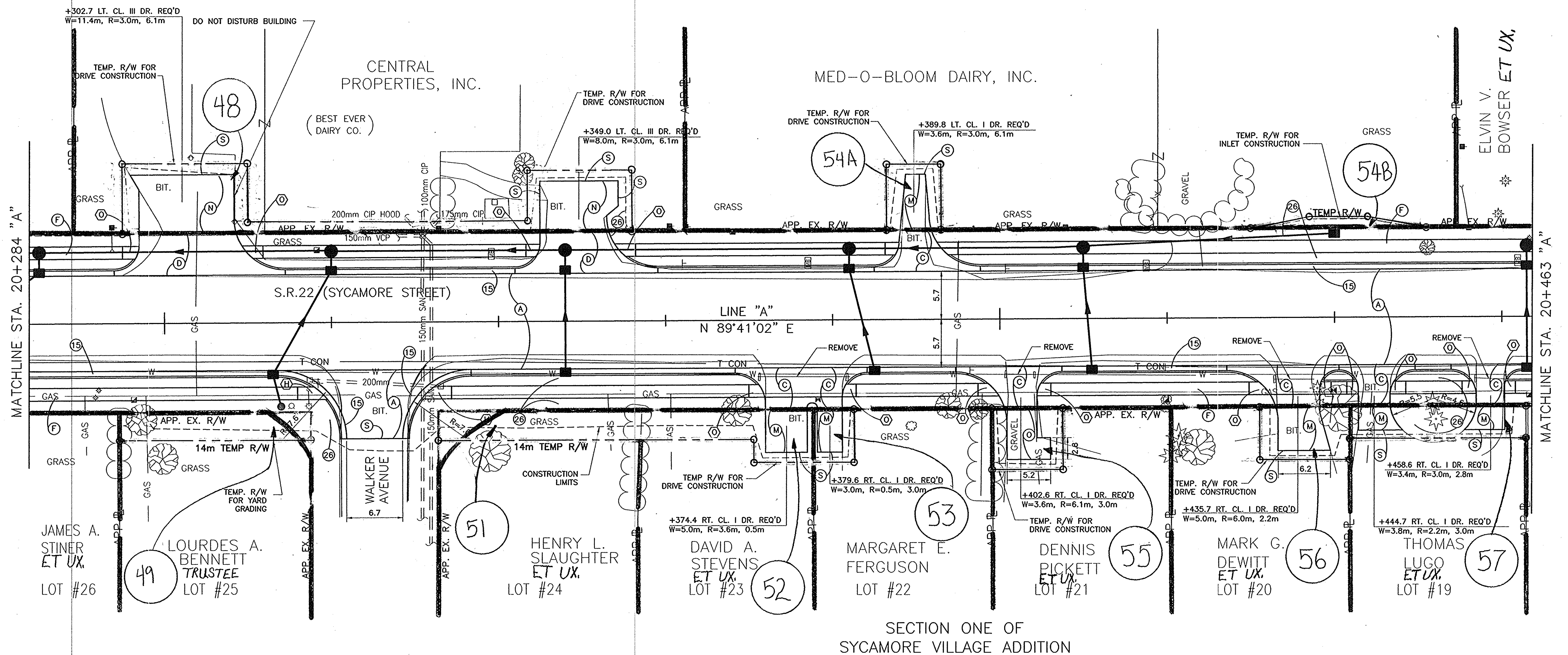
(N) HMA FOR APPROACHES (CONSISTING OF):
75kg/m² - QC/QA- HMA SURFACE 9.5mm, MAINLINE ON
165kg/m² - QC/QA- HMA BASE 25.0mm, MAINLINE ON
200mm COMPACTED AGGREGATE BASE, TYPE "O", NO. 53

(S) SAW CUT

(R) CURB RAMP, (AS NOTED)

(15) CURB AND GUTTER, CONCRETE

(26) SODDING



SECTION ONE OF SYCAMORE VILLAGE ADDITION

NOTE: ALL DIMENSIONS SHOWN ARE IN METERS UNLESS OTHERWISE NOTED.

P:\PROJECTS\INDIANA\STP-120-2(007)_12-14-99_114419.dwg GRIFT



RECOMMENDED FOR APPROVAL *Alan J. DeLaney* 12/14/99
DESIGN ENGINEER DATE

DESIGNED: MAT DRAWN: DWD
CHECKED: AJD CHECKED: AJD

INDIANA DEPARTMENT OF TRANSPORTATION

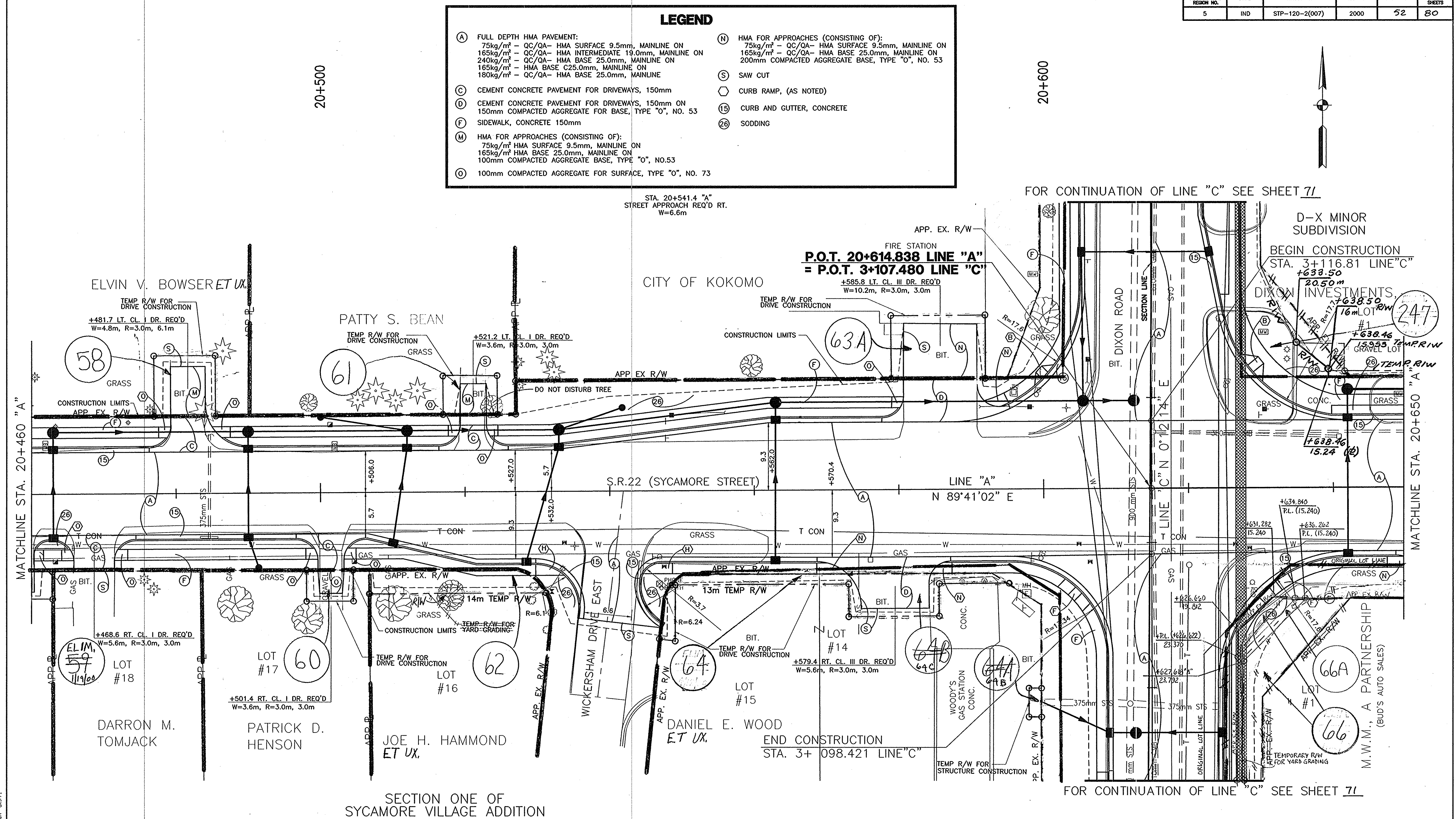
CONSTRUCTION DETAILS - STATE ROAD 22
STA. 20+284 "A" TO STA. 20+463 "A"

HORIZONTAL SCALE 1:250	BRIDGE FILE
VERTICAL SCALE 1:50	DESIGNATION 8677420
SURVEY BOOK ELECTRONIC CONTRACT	SHEETS 51 of 80 PROJECT STP-120-2(007)

FEDERAL ROAD REGION NO.	STATE	PROJECT NO.	FISCAL YR.	SHEET NO.	TOTAL SHEETS
5	IND	STP-120-2(007)	2000	52	80

LEGEND

(A) FULL DEPTH HMA PAVEMENT: 75kg/m ² - QC/QA- HMA SURFACE 9.5mm, MAINLINE ON 165kg/m ² - QC/QA- HMA INTERMEDIATE 19.0mm, MAINLINE ON 240kg/m ² - QC/QA- HMA BASE 25.0mm, MAINLINE ON 165kg/m ² - HMA BASE C25.0mm, MAINLINE ON 180kg/m ² - QC/QA- HMA BASE 25.0mm, MAINLINE	(N) HMA FOR APPROACHES (CONSISTING OF): 75kg/m ² - QC/QA- HMA SURFACE 9.5mm, MAINLINE ON 165kg/m ² - QC/QA- HMA BASE 25.0mm, MAINLINE ON 200mm COMPACTED AGGREGATE BASE, TYPE "O", NO. 53
(C) CEMENT CONCRETE PAVEMENT FOR DRIVEWAYS, 150mm	(S) SAW CUT
(D) CEMENT CONCRETE PAVEMENT FOR DRIVEWAYS, 150mm ON 150mm COMPACTED AGGREGATE FOR BASE, TYPE "O", NO. 53	(R) CURB RAMP, (AS NOTED)
(F) SIDEWALK, CONCRETE 150mm	(15) CURB AND GUTTER, CONCRETE
(M) HMA FOR APPROACHES (CONSISTING OF): 75kg/m ² HMA SURFACE 9.5mm, MAINLINE ON 165kg/m ² HMA BASE 25.0mm, MAINLINE ON 100mm COMPACTED AGGREGATE BASE, TYPE "O", NO.53	(26) SODDING
(O) 100mm COMPACTED AGGREGATE FOR SURFACE, TYPE "O", NO. 73	



STA. 20+541.4 "A"
STREET APPROACH REQ'D RT.
W=6.6m

FIRE STATION
P.O.T. 20+614.838 LINE "A"
= P.O.T. 3+107.480 LINE "C"
+585.8 LT. CL. III DR. REQ'D
W=10.2m, R=3.0m, 3.0m

FOR CONTINUATION OF LINE "C" SEE SHEET 71

D-X MINOR
SUBDIVISION

BEGIN CONSTRUCTION
STA. 3+116.81 LINE "C"

SECTION ONE OF
SYCAMORE VILLAGE ADDITION

FOR CONTINUATION OF LINE "C" SEE SHEET 71

NOTE: ALL DIMENSIONS SHOWN ARE
IN METERS UNLESS OTHERWISE NOTED.

P:\PROJECTS\CAD\BUDGETING_12-14-99_14-103.dwg GRAFT



RECOMMENDED FOR APPROVAL	<i>Alan J. DeLaney</i>	12/14/99	DATE
DESIGNED:	MAT	DRAWN:	DWD
CHECKED:	AJD	CHECKED:	AJD

INDIANA
DEPARTMENT OF TRANSPORTATION

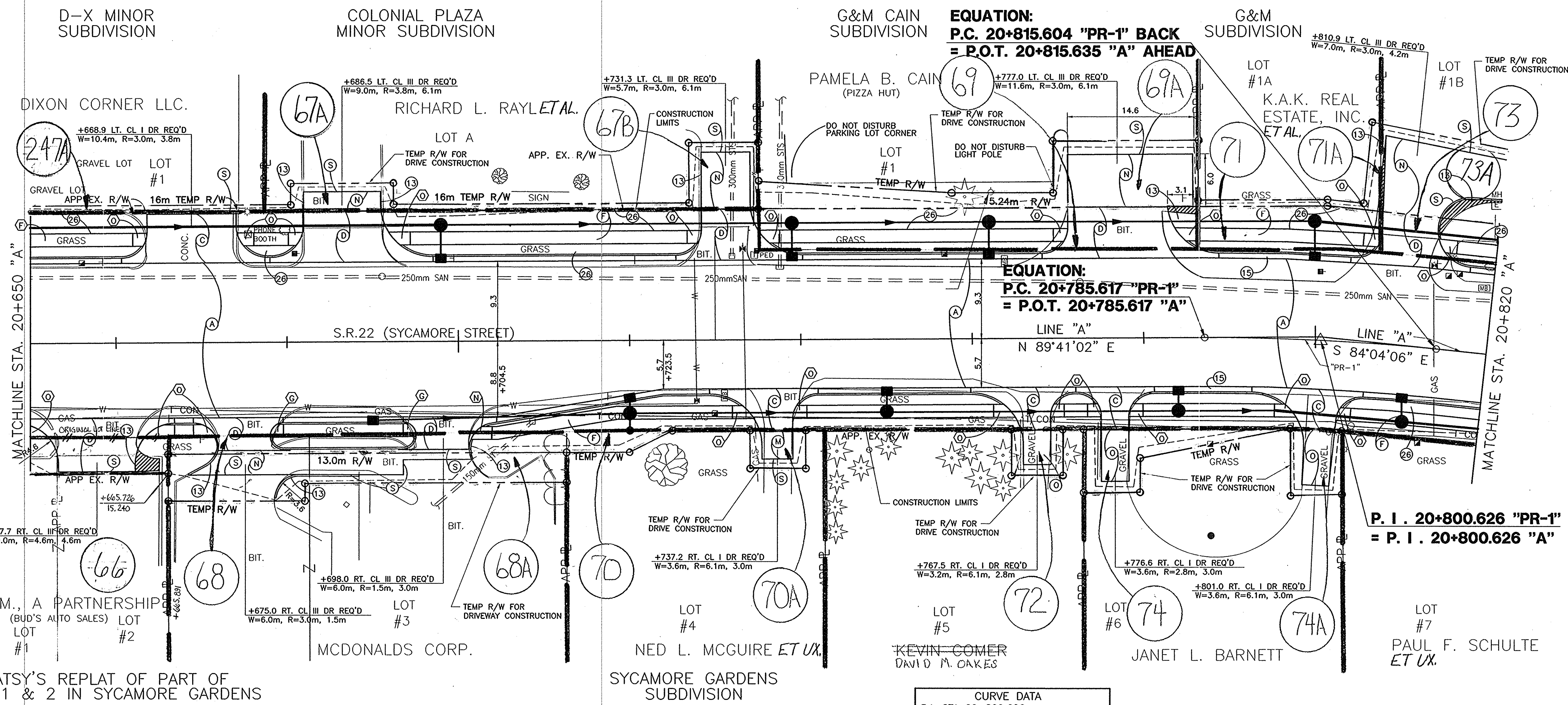
CONSTRUCTION DETAILS - STATE ROAD 22
STA. 20+460 "A" TO STA. 20+650

HORIZONTAL SCALE	BRIDGE FILE
1:250	
VERTICAL SCALE	DESIGNATION
	8677420
SURVEY BOOK	SHEETS
ELECTRONIC	52 of 80
CONTRACT	PROJECT
	STP-120-2(007)

FEDERAL ROAD DISTRICT NO.	STATE	PROJECT NO.	FISCAL YR.	SHEET NO.	TOTAL SHEETS
5	IND	STP-120-2(007)	2000	53	80

LEGEND

(A) FULL DEPTH HMA PAVEMENT: 75kg/m ² - QC/QA- HMA SURFACE 9.5mm, MAINLINE ON 165kg/m ² - QC/QA- HMA INTERMEDIATE 19.0mm, MAINLINE ON 240kg/m ² - QC/QA- HMA BASE 25.0mm, MAINLINE ON 165kg/m ² - HMA BASE C25.0mm, MAINLINE ON 180kg/m ² - QC/QA- HMA BASE 25.0mm, MAINLINE	(N) HMA FOR APPROACHES (CONSISTING OF): 75kg/m ² - QC/QA- HMA SURFACE 9.5mm, MAINLINE ON 165kg/m ² - QC/QA- HMA BASE 25.0mm, MAINLINE ON 200mm COMPACTED AGGREGATE BASE, TYPE "O", NO. 53
(C) CEMENT CONCRETE PAVEMENT FOR DRIVEWAYS, 150mm	(S) SAW CUT
(D) CEMENT CONCRETE PAVEMENT FOR DRIVEWAYS, 150mm ON 150mm COMPACTED AGGREGATE FOR BASE, TYPE "O", NO. 53	(13) CONCRETE CURB
(F) SIDEWALK, CONCRETE 150mm	(15) CURB AND GUTTER, CONCRETE
(M) HMA FOR APPROACHES (CONSISTING OF): 75kg/m ² HMA SURFACE 9.5mm, MAINLINE ON 165kg/m ² HMA BASE 25.0mm, MAINLINE ON 100mm COMPACTED AGGREGATE BASE, TYPE "O", NO.53	(26) SODDING
(O) 100mm COMPACTED AGGREGATE FOR SURFACE, TYPE "O", NO. 73	(Hatched) PAVEMENT REMOVAL

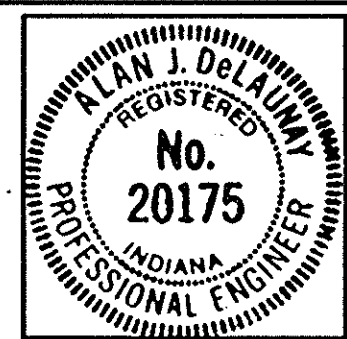


CURVE DATA

P.I. STA 20+800.626
Δ = 6°14'52"
R = 275m
L = 29.987m
T = 15.009m
E = 0.409m

NOTE: ALL DIMENSIONS SHOWN ARE IN METERS UNLESS OTHERWISE NOTED.

P:\PROJECTS\CLIP\DRAWING\12-20-99 09:49 am BLACK



RECOMMENDED FOR APPROVAL	<i>Alan J. DeLaney</i>	12/14/99
DESIGNED:	MAT	DRAWN: DWD
CHECKED:	AJD	CHECKED: AJD

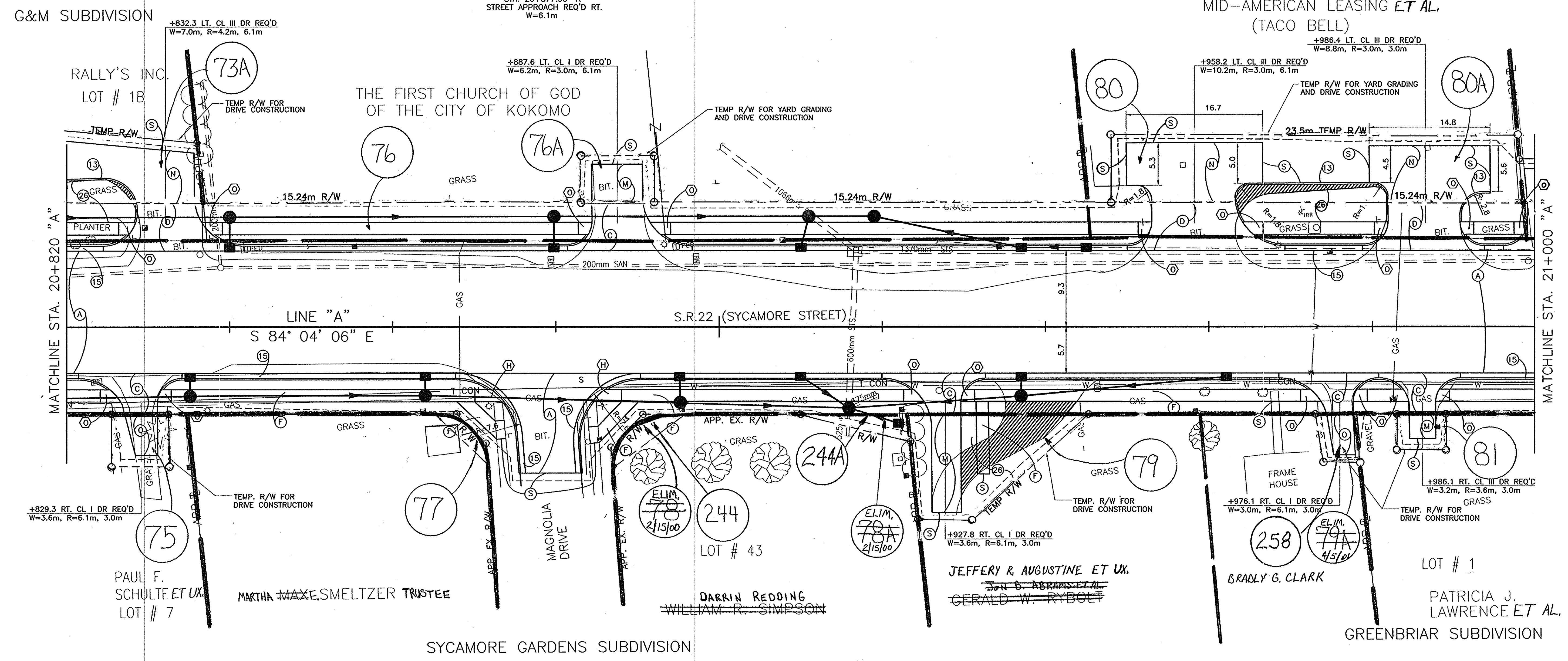
INDIANA DEPARTMENT OF TRANSPORTATION

CONSTRUCTION DETAILS - STATE ROAD 22
STA. 20+650 "A" TO STA. 20+820 "A"

HORIZONTAL SCALE	1:250	BRIDGE FILE	
VERTICAL SCALE	1:50	DESIGNATION	8677420
SURVEY BOOK		SHEETS	53 of 80
ELECTRONIC CONTRACT		PROJECT	STP-120-2(007)

FEDERAL ROAD DISTRICT NO.	STATE	PROJECT NO.	FISCAL YR.	SHEET NO.	TOTAL SHEETS
5	IND	STP-120-2(007)	2000	54	80

LEGEND	
(A) FULL DEPTH HMA PAVEMENT: 75kg/m ² - QC/QA- HMA SURFACE 9.5mm, MAINLINE ON 165kg/m ² - QC/QA- HMA INTERMEDIATE 19.0mm, MAINLINE ON 240kg/m ² - QC/QA- HMA BASE 25.0mm, MAINLINE ON 165kg/m ² - HMA BASE C25.0mm, MAINLINE ON 180kg/m ² - QC/QA- HMA BASE 25.0mm, MAINLINE	(N) HMA FOR APPROACHES (CONSISTING OF): 75kg/m ² - QC/QA- HMA SURFACE 9.5mm, MAINLINE ON 165kg/m ² - QC/QA- HMA BASE 25.0mm, MAINLINE ON 200mm COMPACTED AGGREGATE BASE, TYPE "O", NO. 53
(C) CEMENT CONCRETE PAVEMENT FOR DRIVEWAYS, 150mm	(S) SAW CUT
(D) CEMENT CONCRETE PAVEMENT FOR DRIVEWAYS, 150mm ON 150mm COMPACTED AGGREGATE FOR BASE, TYPE "O", NO. 53	(O) CURB RAMP, (AS NOTED)
(F) SIDEWALK, CONCRETE 150mm	(13) CONCRETE CURB
(M) HMA FOR APPROACHES (CONSISTING OF): 75kg/m ² HMA SURFACE 9.5mm, MAINLINE ON 165kg/m ² HMA BASE 25.0mm, MAINLINE ON 100mm COMPACTED AGGREGATE BASE, TYPE "O", NO.53	(15) CURB AND GUTTER, CONCRETE
(O) 100mm COMPACTED AGGREGATE FOR SURFACE, TYPE "O", NO. 73	(26) SODDING
	(Hatched) PAVEMENT REMOVAL



NOTE: ALL DIMENSIONS SHOWN ARE IN METERS UNLESS OTHERWISE NOTED:

P:\PROJECTS\CONTRACTS\12-14-99 105823.dwg



RECOMMENDED FOR APPROVAL	<i>Alan J. Delaney</i>	12/14/99
DESIGNED:	MAT	DRAWN: DWD
CHECKED:	AJD	CHECKED: AJD

INDIANA DEPARTMENT OF TRANSPORTATION

CONSTRUCTION DETAILS - STATE ROAD 22
STA. 20+820 "A" TO STA. 21+000 "A"

HORIZONTAL SCALE	BRIDGE FILE
1:250	
VERTICAL SCALE	DESIGNATION
1:50	8677420
SURVEY BOOK	SHEETS
ELECTRONIC CONTRACT	54 of 80
	PROJECT
	STP-120-2(007)

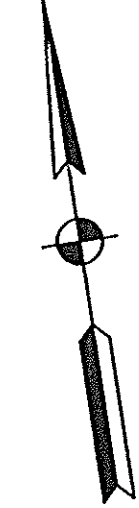
FEDERAL ROAD REGION NO.	STATE	PROJECT NO.	FISCAL YR.	SHEET NO.	TOTAL SHEETS
5	IND	STP-120-2(007)	2000	55	80

LEGEND

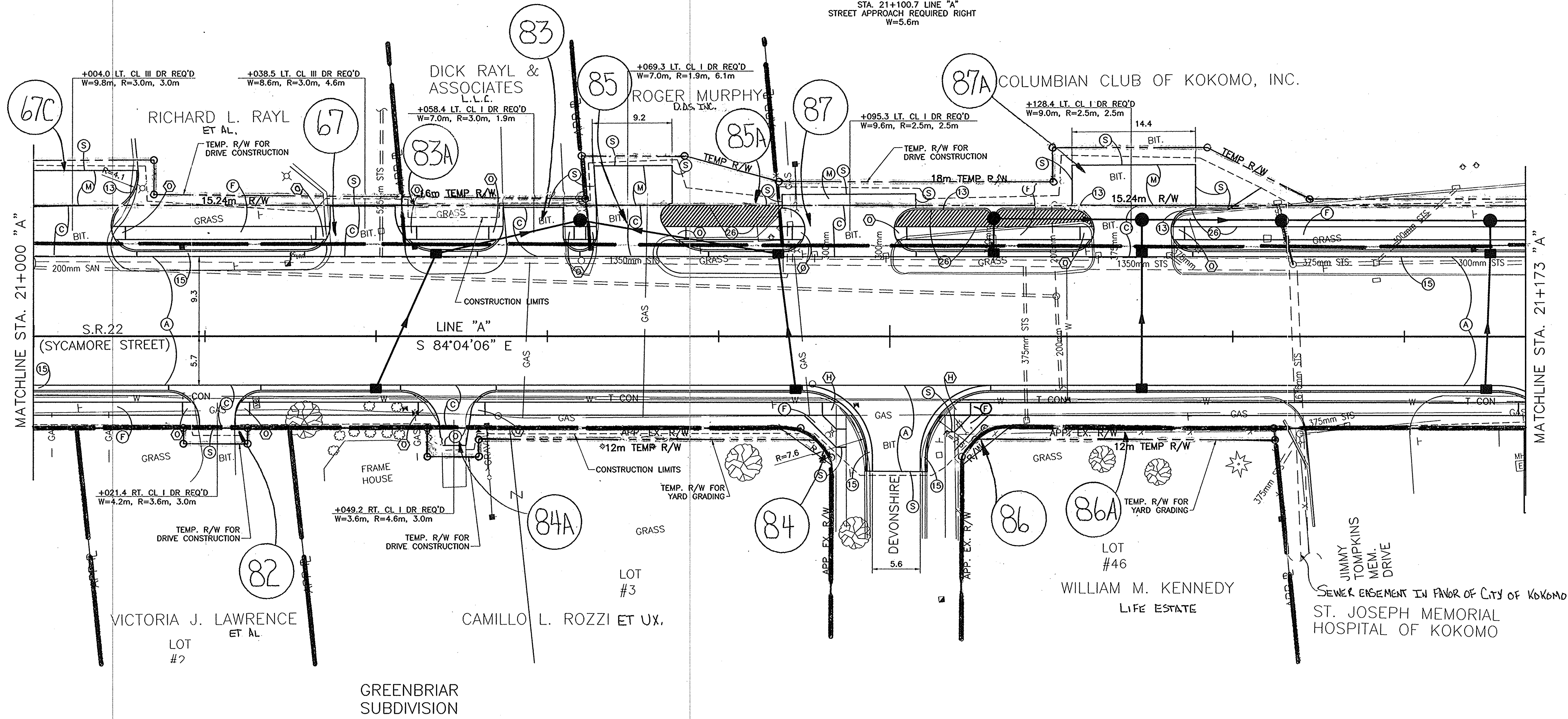
(A) FULL DEPTH HMA PAVEMENT: 75kg/m ² - QC/OA- HMA SURFACE 9.5mm, MAINLINE ON 165kg/m ² - QC/OA- HMA INTERMEDIATE 19.0mm, MAINLINE ON 240kg/m ² - QC/OA- HMA BASE 25.0mm, MAINLINE ON 165kg/m ² - HMA BASE C25.0mm, MAINLINE ON 180kg/m ² - QC/OA- HMA BASE 25.0mm, MAINLINE	(S) SAW CUT (CR) CURB RAMP, (AS NOTED) (13) CONCRETE CURB (15) CURB AND GUTTER, CONCRETE (26) SODDING [Hatched] PAVEMENT REMOVAL
(C) CEMENT CONCRETE PAVEMENT FOR DRIVEWAYS, 150mm	
(F) SIDEWALK, CONCRETE 150mm	
(M) HMA FOR APPROACHES (CONSISTING OF): 75kg/m ² HMA SURFACE 9.5mm, MAINLINE ON 165kg/m ² HMA BASE 25.0mm, MAINLINE ON 100mm COMPACTED AGGREGATE BASE, TYPE "O", NO.53	
(O) 100mm COMPACTED AGGREGATE FOR SURFACE, TYPE "O", NO. 73	

21+000

21+100



STA. 21+100.7 LINE "A"
STREET APPROACH REQUIRED RIGHT
W=5.6m



NOTE: ALL DIMENSIONS SHOWN ARE IN METERS UNLESS OTHERWISE NOTED.

PROPOSED/ADJUSTED/ISSUED 12-14-99 11:55:51 am G8PFI



RECOMMENDED FOR APPROVAL	<i>Alan J. DeLuna</i> 12/14/99	DESIGN ENGINEER	DATE
DESIGNED:	KLB	DRAWN:	DWD
CHECKED:	KJB	CHECKED:	KJB

INDIANA DEPARTMENT OF TRANSPORTATION

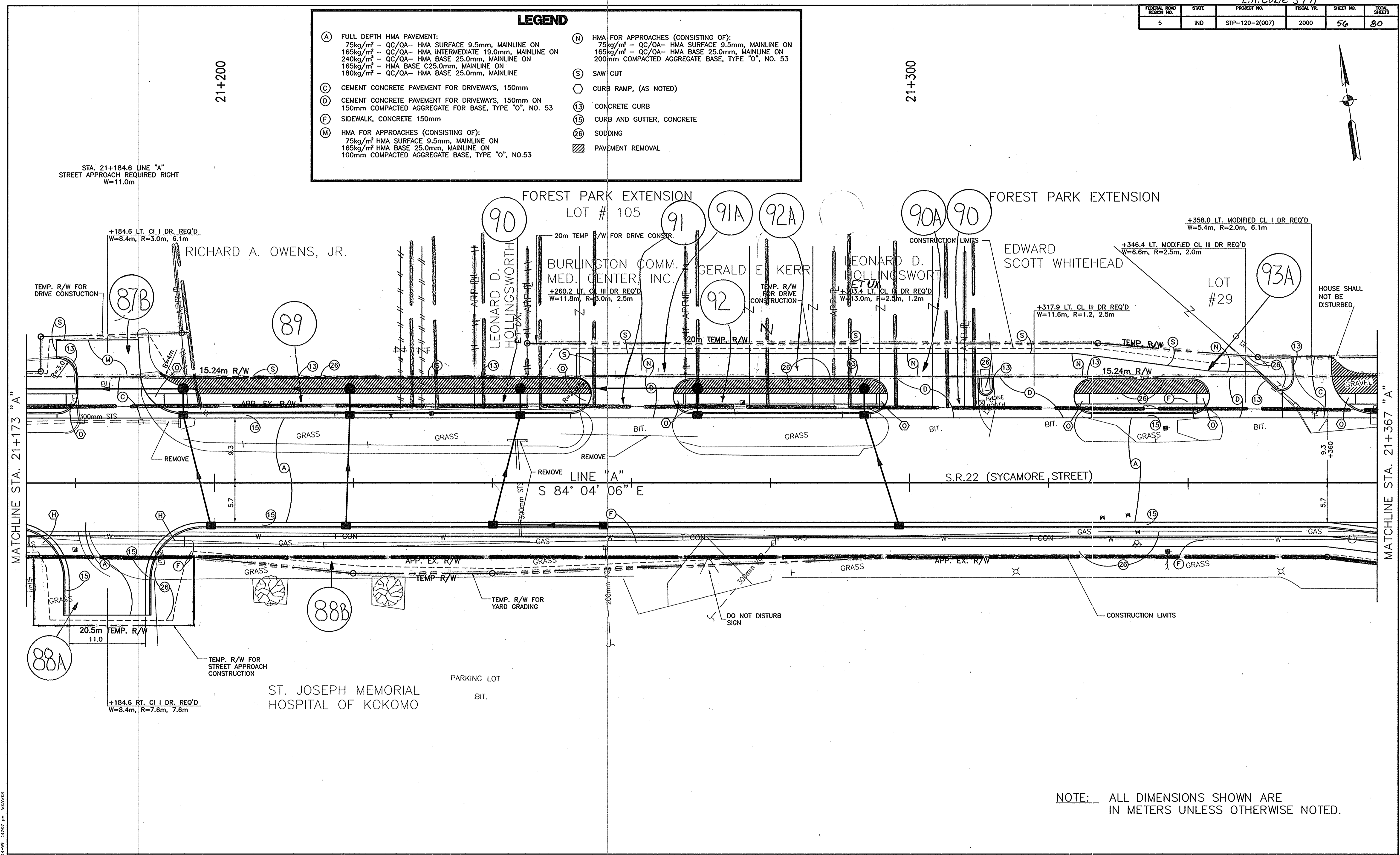
CONSTRUCTION DETAILS - STATE ROAD 22
KOKOMO, INDIANA

HORIZONTAL SCALE	BRIDGE FILE
1:250	
VERTICAL SCALE	DESIGNATION
1:50	8677420
SURVEY BOOK	SHEETS
ELECTRONIC	55 of 80
CONTRACT	PROJECT
	STP-120-2(007)

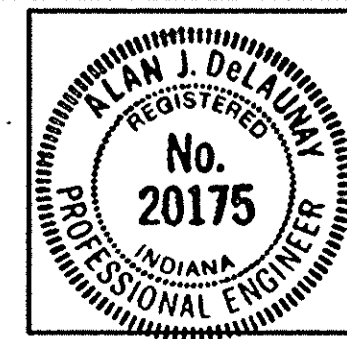
FEDERAL ROAD REGION NO.	STATE	PROJECT NO.	FISCAL YR.	SHEET NO.	TOTAL SHEETS
5	IND	SIP-120-2(007)	2000	56	80

LEGEND

- | | |
|---|--|
| <p>(A) FULL DEPTH HMA PAVEMENT:
75kg/m² - QC/QA - HMA SURFACE 9.5mm, MAINLINE ON
165kg/m² - QC/QA - HMA INTERMEDIATE 19.0mm, MAINLINE ON
240kg/m² - QC/QA - HMA BASE 25.0mm, MAINLINE ON
165kg/m² - HMA BASE C25.0mm, MAINLINE ON
180kg/m² - QC/QA - HMA BASE 25.0mm, MAINLINE</p> <p>(C) CEMENT CONCRETE PAVEMENT FOR DRIVEWAYS, 150mm</p> <p>(D) CEMENT CONCRETE PAVEMENT FOR DRIVEWAYS, 150mm ON 150mm COMPACTED AGGREGATE FOR BASE, TYPE "O", NO. 53</p> <p>(F) SIDEWALK, CONCRETE 150mm</p> <p>(M) HMA FOR APPROACHES (CONSISTING OF):
75kg/m² HMA SURFACE 9.5mm, MAINLINE ON
165kg/m² HMA BASE 25.0mm, MAINLINE ON
100mm COMPACTED AGGREGATE BASE, TYPE "O", NO.53</p> | <p>(N) HMA FOR APPROACHES (CONSISTING OF):
75kg/m² - QC/QA - HMA SURFACE 9.5mm, MAINLINE ON
165kg/m² - QC/QA - HMA BASE 25.0mm, MAINLINE ON
200mm COMPACTED AGGREGATE BASE, TYPE "O", NO. 53</p> <p>(S) SAW CUT</p> <p>(O) CURB RAMP, (AS NOTED)</p> <p>(13) CONCRETE CURB</p> <p>(15) CURB AND GUTTER, CONCRETE</p> <p>(26) SODDING</p> <p>(X) PAVEMENT REMOVAL</p> |
|---|--|



NOTE: ALL DIMENSIONS SHOWN ARE IN METERS UNLESS OTHERWISE NOTED.



RECOMMENDED FOR APPROVAL	<i>Alan J. DeLaney</i>	12/14/99	DATE
DESIGNED:	MAT	DRAWN:	DWD
CHECKED:	AJD	CHECKED:	ALD

INDIANA DEPARTMENT OF TRANSPORTATION

CONSTRUCTION DETAILS - STATE ROAD 22
STA. 21+173 "A" TO STA. 21+367 "A"

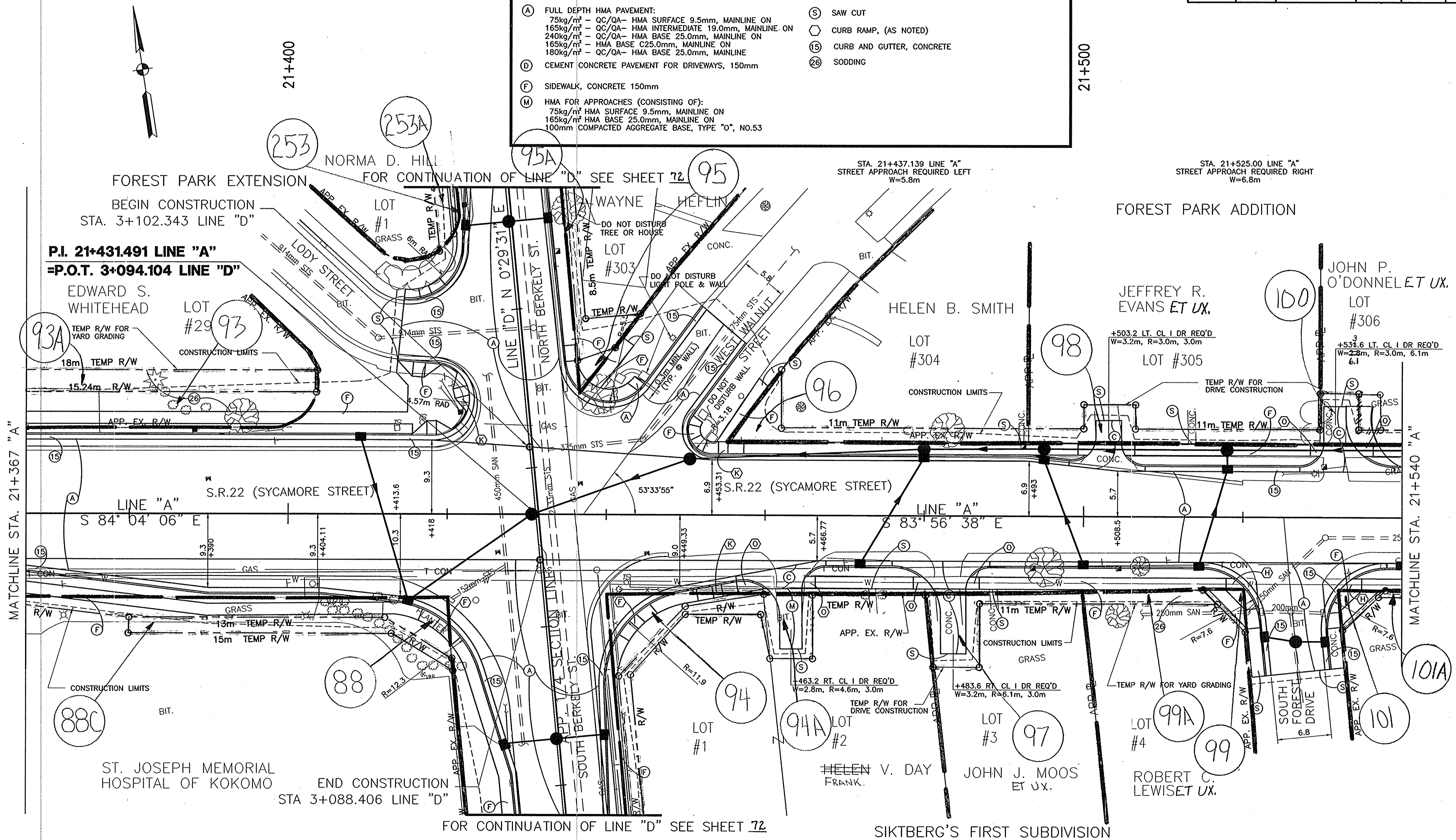
HORIZONTAL SCALE	1:250	BRIDGE FILE	
VERTICAL SCALE	1:50	DESIGNATION	8677420
SURVEY BOOK		SHEETS	56 of 80
ELECTRONIC CONTRACT		PROJECT	SIP-120-2(007)

P:\PERS\ALC\ADD\SET14.DWG 12-14-99 11:07 PM VEINER

FEDERAL ROAD DISTRICT NO.	STATE	PROJECT NO.	FISCAL YR.	SHEET NO.	TOTAL SHEETS
5	IND	STP-120-2(007)	2000	57	80

LEGEND

(A) FULL DEPTH HMA PAVEMENT: 75kg/m ² - QC/QA - HMA SURFACE 9.5mm, MAINLINE ON 165kg/m ² - QC/QA - HMA INTERMEDIATE 19.0mm, MAINLINE ON 240kg/m ² - QC/QA - HMA BASE 25.0mm, MAINLINE ON 165kg/m ² - HMA BASE C25.0mm, MAINLINE ON 180kg/m ² - QC/QA - HMA BASE 25.0mm, MAINLINE	(S) SAW CUT
(D) CEMENT CONCRETE PAVEMENT FOR DRIVEWAYS, 150mm	(C) CURB RAMP, (AS NOTED)
(F) SIDEWALK, CONCRETE 150mm	(15) CURB AND GUTTER, CONCRETE
(M) HMA FOR APPROACHES (CONSISTING OF): 75kg/m ² HMA SURFACE 9.5mm, MAINLINE ON 165kg/m ² HMA BASE 25.0mm, MAINLINE ON 100mm COMPACTED AGGREGATE BASE, TYPE "O", NO.53	(26) SODDING



21+400

21+500

FOREST PARK EXTENSION
BEGIN CONSTRUCTION
STA. 3+102.343 LINE "D"

P.I. 21+431.491 LINE "A"
=P.O.T. 3+094.104 LINE "D"

EDWARD S. WHITEHEAD LOT #29

LOT #303

LOT #304

HELEN B. SMITH LOT #305

JEFFREY R. EVANS ET UX. LOT #306

JOHN P. O'DONNELL ET UX. LOT #306

LOT #93

LOT #94

LOT #97

LOT #99A

LOT #101

LOT #101A

ST. JOSEPH MEMORIAL HOSPITAL OF KOKOMO
END CONSTRUCTION
STA 3+088.406 LINE "D"

FOR CONTINUATION OF LINE "D" SEE SHEET 72

FOR CONTINUATION OF LINE "D" SEE SHEET 72

FOR CONTINUATION OF LINE "D" SEE SHEET 72

STA. 21+437.139 LINE "A"
STREET APPROACH REQUIRED LEFT
W=5.8m

STA. 21+525.00 LINE "A"
STREET APPROACH REQUIRED RIGHT
W=6.8m

FOREST PARK ADDITION

LINE "A" S 84° 04' 06" E

LINE "A" S 83° 56' 38" E

LINE "D" N 0°29'31" E

SOUTH BERKELEY ST.

WEST WALNUT ST.

SOUTH FOREST DRIVE

SIKTBERG'S FIRST SUBDIVISION

NOTE: FOR ADDITIONAL INTERSECTION DETAILS SEE CONSTRUCTION DETAIL SHEET 72.

NOTE: ALL DIMENSIONS SHOWN ARE IN METERS UNLESS OTHERWISE NOTED.

P:\PROJECTS\CAD\NETS\DWG 12-14-99 10:34 PM WEAVER



RECOMMENDED FOR APPROVAL
Alan J. Delaney 12/14/99
DESIGN ENGINEER DATE

DESIGNED: MAT DRAWN: DWD
CHECKED: AJD CHECKED: AJD

INDIANA DEPARTMENT OF TRANSPORTATION

CONSTRUCTION DETAILS - STATE ROAD 22
STA. 21+367 "A" TO STA. 21+540 "A"

HORIZONTAL SCALE 1:250	BRIDGE FILE
VERTICAL SCALE 1:50	DESIGNATION 8677420
SURVEY BOOK ELECTRONIC CONTRACT	SHEETS 57 of 80 PROJECT STP-120-2(007)

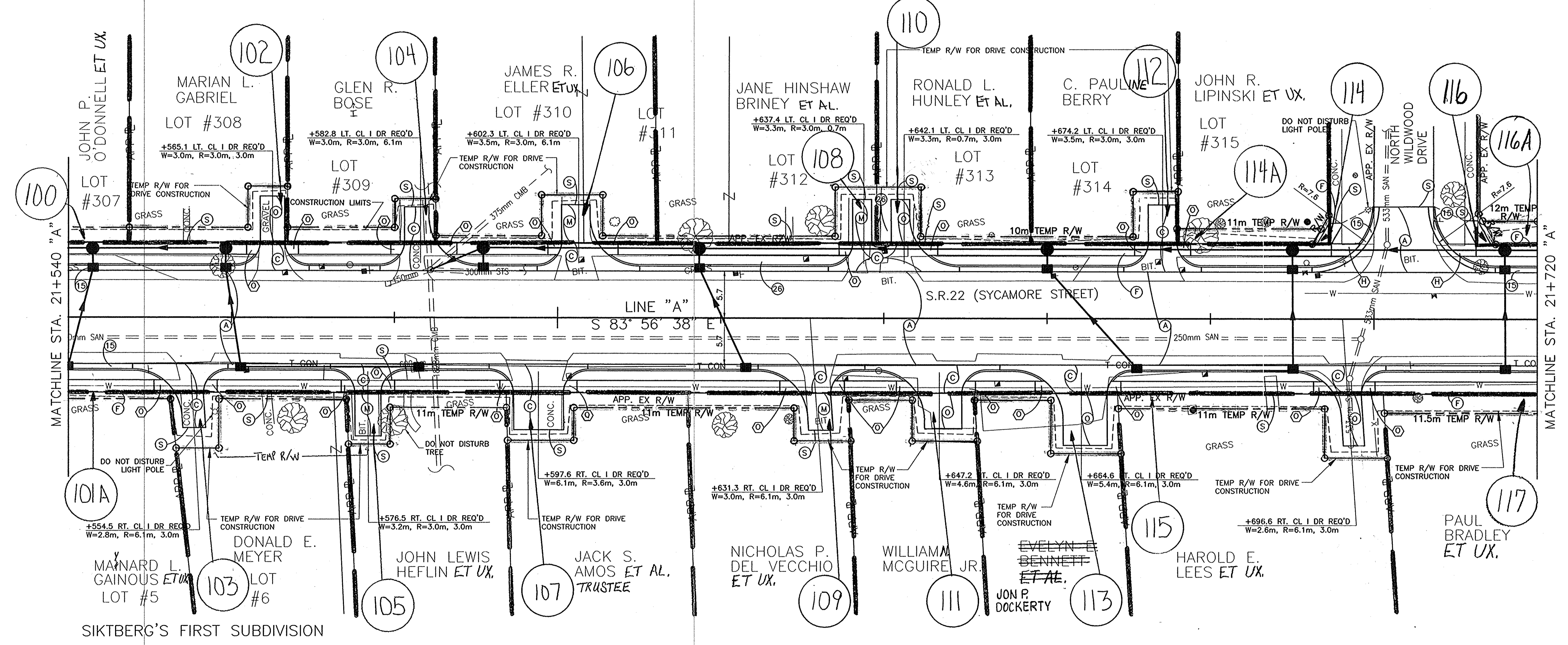
FEDERAL ROAD DISTRICT NO.	STATE	PROJECT NO.	FISCAL YR.	SHEET NO.	TOTAL SHEETS
5	IND	STP-120-2(007)	2000	58	80

LEGEND

(A) FULL DEPTH HMA PAVEMENT: 75kg/m ² - QC/QA- HMA SURFACE 9.5mm, MAINLINE ON 165kg/m ² - QC/QA- HMA INTERMEDIATE 19.0mm, MAINLINE ON 240kg/m ² - QC/QA- HMA BASE 25.0mm, MAINLINE ON 165kg/m ² - HMA BASE C25.0mm, MAINLINE ON 180kg/m ² - QC/QA- HMA BASE 25.0mm, MAINLINE	(S) SAW CUT
(C) CEMENT CONCRETE PAVEMENT FOR DRIVEWAYS, 150mm	(H) CURB RAMP, (AS NOTED)
(F) SIDEWALK, CONCRETE 150mm	(13) CONCRETE CURB
(M) HMA FOR APPROACHES (CONSISTING OF): 75kg/m ² HMA SURFACE 9.5mm, MAINLINE ON 165kg/m ² HMA BASE 25.0mm, MAINLINE ON 100mm COMPACTED AGGREGATE BASE, TYPE "O", NO.53	(15) CURB AND GUTTER, CONCRETE
(O) 100mm COMPACTED AGGREGATE FOR SURFACE, TYPE "O", NO. 73	(26) SODDING

FOREST PARK ADDITION

STA. 21+703.6
STREET APPROACH REQUIRED LEFT
W=6.0m



NOTE: ALL DIMENSIONS SHOWN ARE IN METERS UNLESS OTHERWISE NOTED.

P:\PROJECTS\2000\STP120\21+540 A TO 21+720 A.DWG 12-14-99 11:24 PM WEAVER



RECOMMENDED FOR APPROVAL	<i>Alan J. DeLaney</i> 12/14/99	DATE
DESIGNED:	KJB	DRAWN: DWD
CHECKED:	KJB	CHECKED: KJB

INDIANA DEPARTMENT OF TRANSPORTATION

CONSTRUCTION DETAILS - STATE ROAD 22
STA. 21+540 "A" TO STA. 21+720 "A"

HORIZONTAL SCALE	BRIDGE FILE
1:250	
VERTICAL SCALE	DESIGNATION
1:50	8677420
SURVEY BOOK	SHEETS
ELECTRONIC	58 of 80
CONTRACT	PROJECT
	STP-120-2(007)

FEDERAL ROAD REGION NO.	STATE	PROJECT NO.	FISCAL YR.	SHEET NO.	TOTAL SHEETS
5	IND	STP-120-2(007)	2000	59	80

LEGEND

(A) FULL DEPTH HMA PAVEMENT:
 75kg/m² - QC/OA- HMA SURFACE 9.5mm, MAINLINE ON
 165kg/m² - QC/OA- HMA INTERMEDIATE 19.0mm, MAINLINE ON
 240kg/m² - QC/OA- HMA BASE 25.0mm, MAINLINE ON
 165kg/m² - HMA BASE C25.0mm, MAINLINE ON
 180kg/m² - QC/OA- HMA BASE 25.0mm, MAINLINE

(C) CEMENT CONCRETE PAVEMENT FOR DRIVEWAYS, 150mm

(F) SIDEWALK, CONCRETE 150mm

(M) HMA FOR APPROACHES (CONSISTING OF):
 75kg/m² HMA SURFACE 9.5mm, MAINLINE ON
 165kg/m² HMA BASE 25.0mm, MAINLINE ON
 100mm COMPACTED AGGREGATE BASE, TYPE "O", NO.53

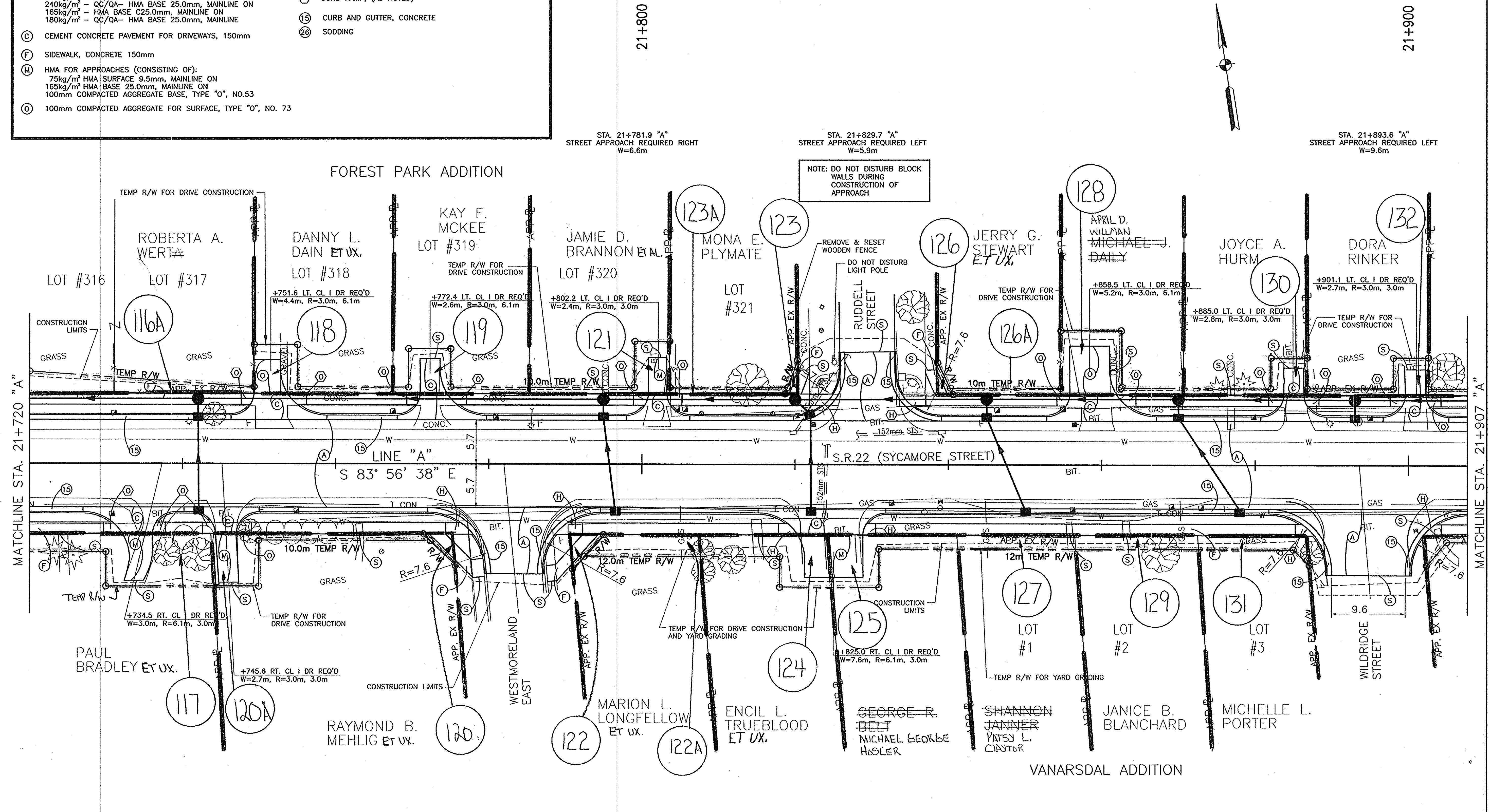
(O) 100mm COMPACTED AGGREGATE FOR SURFACE, TYPE "O", NO. 73

(S) SAW CUT

(CR) CURB RAMP, (AS NOTED)

(CG) CURB AND GUTTER, CONCRETE

(SD) SODDING



21+800

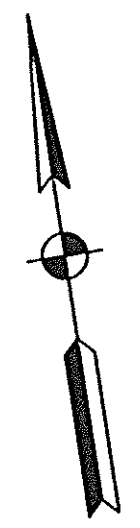
21+900

STA. 21+781.9 "A" STREET APPROACH REQUIRED RIGHT W=6.6m

STA. 21+829.7 "A" STREET APPROACH REQUIRED LEFT W=5.9m

STA. 21+893.6 "A" STREET APPROACH REQUIRED LEFT W=9.6m

NOTE: DO NOT DISTURB BLOCK WALLS DURING CONSTRUCTION OF APPROACH



MATCHLINE STA. 21+720 "A"

MATCHLINE STA. 21+907 "A"

NOTE: ALL DIMENSIONS SHOWN ARE IN METERS UNLESS OTHERWISE NOTED.

P:\PROJECTS\INDIANAS\STP120\DWG 12-14-99 1:2010 pm WEVER



RECOMMENDED FOR APPROVAL	<i>Alan J. DeLaney</i>	DATE
DESIGNED:	MAT	DRAWN:
CHECKED:	AJD	CHECKED:
		AJD

INDIANA DEPARTMENT OF TRANSPORTATION

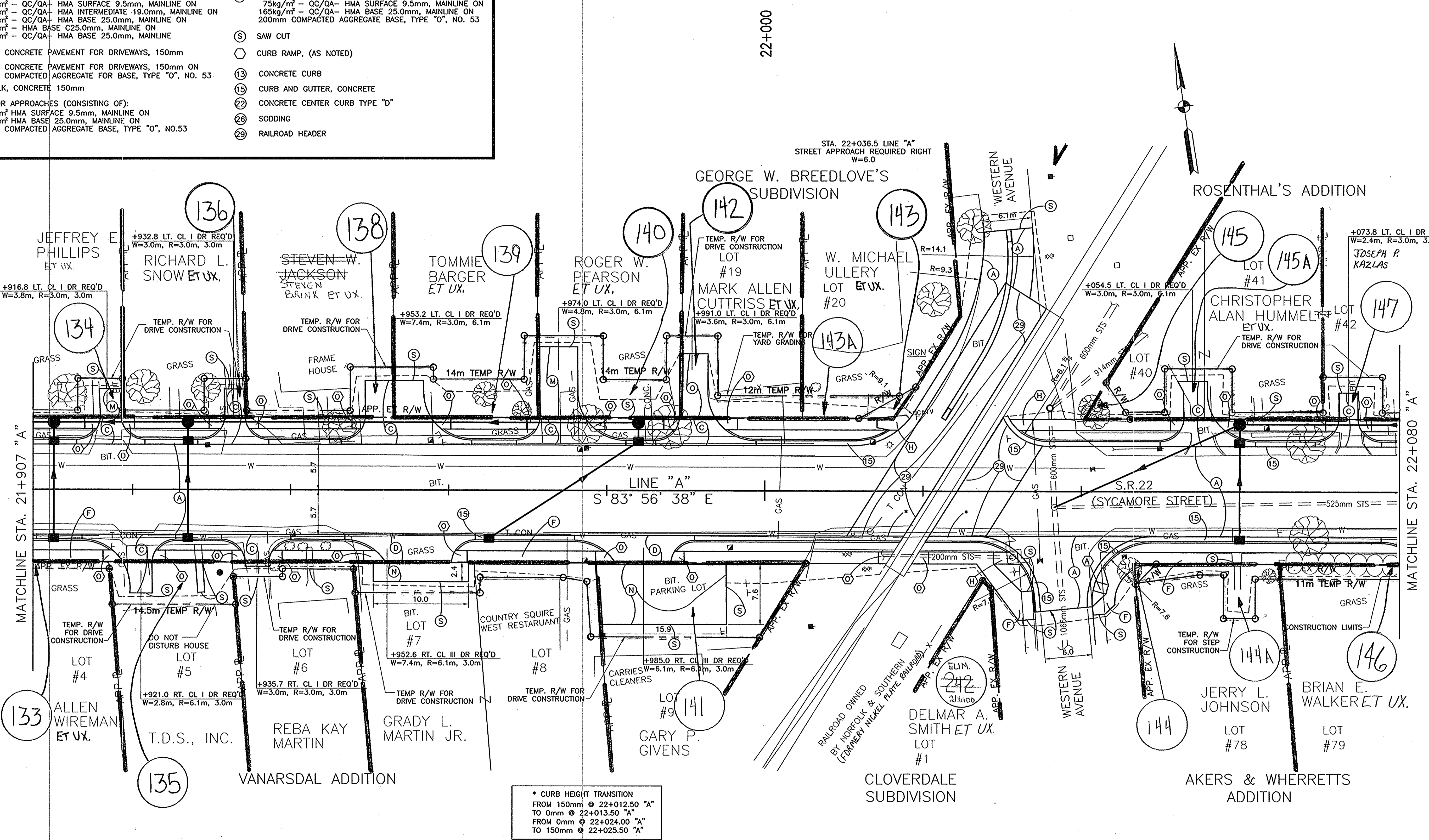
CONSTRUCTION DETAILS - STATE ROAD 22
 STA. 21+720 "A" TO STA. 21+907 "A"

HORIZONTAL SCALE	BRIDGE FILE
1:250	
VERTICAL SCALE	DESIGNATION
1:50	8677420
SURVEY BOOK	SHEETS
ELECTRONIC	59 of 80
CONTRACT	PROJECT
	STP-120-2(007)

FEDERAL ROAD DISTRICT NO.	STATE	PROJECT NO.	FISCAL YR.	SHEET NO.	TOTAL SHEETS
5	IND	STP-120-2(007)	2000	60	80

LEGEND

(A) FULL DEPTH HMA PAVEMENT: 75kg/m ² - QC/QA - HMA SURFACE 9.5mm, MAINLINE ON 165kg/m ² - QC/QA - HMA INTERMEDIATE 19.0mm, MAINLINE ON 240kg/m ² - QC/QA - HMA BASE 25.0mm, MAINLINE ON 165kg/m ² - HMA BASE C25.0mm, MAINLINE ON 180kg/m ² - QC/QA - HMA BASE 25.0mm, MAINLINE	(N) HMA FOR APPROACHES (CONSISTING OF): 75kg/m ² - QC/QA - HMA SURFACE 9.5mm, MAINLINE ON 165kg/m ² - QC/QA - HMA BASE 25.0mm, MAINLINE ON 200mm COMPACTED AGGREGATE BASE, TYPE "O", NO. 53
(C) CEMENT CONCRETE PAVEMENT FOR DRIVEWAYS, 150mm	(S) SAW CUT
(D) CEMENT CONCRETE PAVEMENT FOR DRIVEWAYS, 150mm ON 150mm COMPACTED AGGREGATE FOR BASE, TYPE "O", NO. 53	(H) CURB RAMP, (AS NOTED)
(F) SIDEWALK, CONCRETE 150mm	(13) CONCRETE CURB
(M) HMA FOR APPROACHES (CONSISTING OF): 75kg/m ² HMA SURFACE 9.5mm, MAINLINE ON 165kg/m ² HMA BASE 25.0mm, MAINLINE ON 100mm COMPACTED AGGREGATE BASE, TYPE "O", NO.53	(15) CURB AND GUTTER, CONCRETE
	(22) CONCRETE CENTER CURB TYPE "D"
	(26) SODDING
	(29) RAILROAD HEADER



* CURB HEIGHT TRANSITION
FROM 150mm @ 22+012.50 "A"
TO 0mm @ 22+013.50 "A"
FROM 0mm @ 22+024.00 "A"
TO 150mm @ 22+025.50 "A"

NOTE: ALL DIMENSIONS SHOWN ARE IN METERS UNLESS OTHERWISE NOTED.

P:\PROJECTS\2000\STP120\2000\22+907 TO 22+080.DWG 12-14-99 1:25:38 PM WEAVER



RECOMMENDED FOR APPROVAL: *Alan J. Delaney* 12/14/99
DESIGN ENGINEER DATE

DESIGNED: MAT DRAWN: DWD
CHECKED: AJD CHECKED: AJD

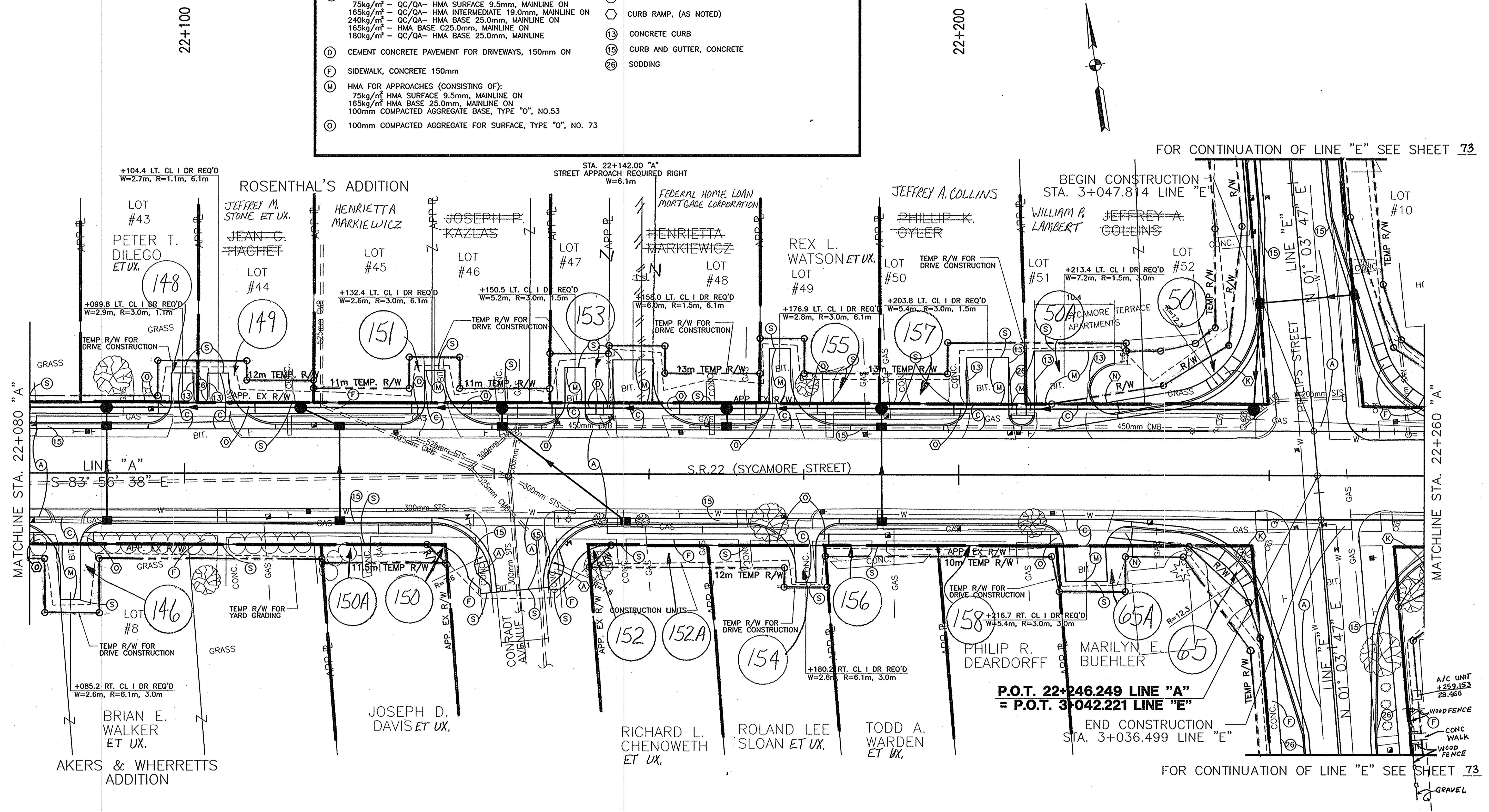
INDIANA DEPARTMENT OF TRANSPORTATION

CONSTRUCTION DETAILS - STATE ROAD 22
STA. 21+907 "A" TO STA. 22+080 "A"

HORIZONTAL SCALE 1:250	BRIDGE FILE
VERTICAL SCALE 1:50	DESIGNATION 8677420
SURVEY BOOK ELECTRONIC CONTRACT	SHEETS 60 of 80 PROJECT STP-120-2(007)

LEGEND

(A) FULL DEPTH HMA PAVEMENT: 75kg/m ² - QC/QA- HMA SURFACE 9.5mm, MAINLINE ON 165kg/m ² - QC/QA- HMA INTERMEDIATE 19.0mm, MAINLINE ON 240kg/m ² - QC/QA- HMA BASE 25.0mm, MAINLINE ON 165kg/m ² - HMA BASE C25.0mm, MAINLINE ON 180kg/m ² - QC/QA- HMA BASE 25.0mm, MAINLINE	(S) SAW CUT
(D) CEMENT CONCRETE PAVEMENT FOR DRIVEWAYS, 150mm ON	(C) CURB RAMP, (AS NOTED)
(F) SIDEWALK, CONCRETE 150mm	(13) CONCRETE CURB
(M) HMA FOR APPROACHES (CONSISTING OF): 75kg/m ² HMA SURFACE 9.5mm, MAINLINE ON 165kg/m ² HMA BASE 25.0mm, MAINLINE ON 100mm COMPACTED AGGREGATE BASE, TYPE "O", NO.53	(15) CURB AND GUTTER, CONCRETE
(O) 100mm COMPACTED AGGREGATE FOR SURFACE, TYPE "O", NO. 73	(26) SODDING



P:\PROJECTS\CLASH\NETS\DWG 12-14-99 10:02 pm WEAVER

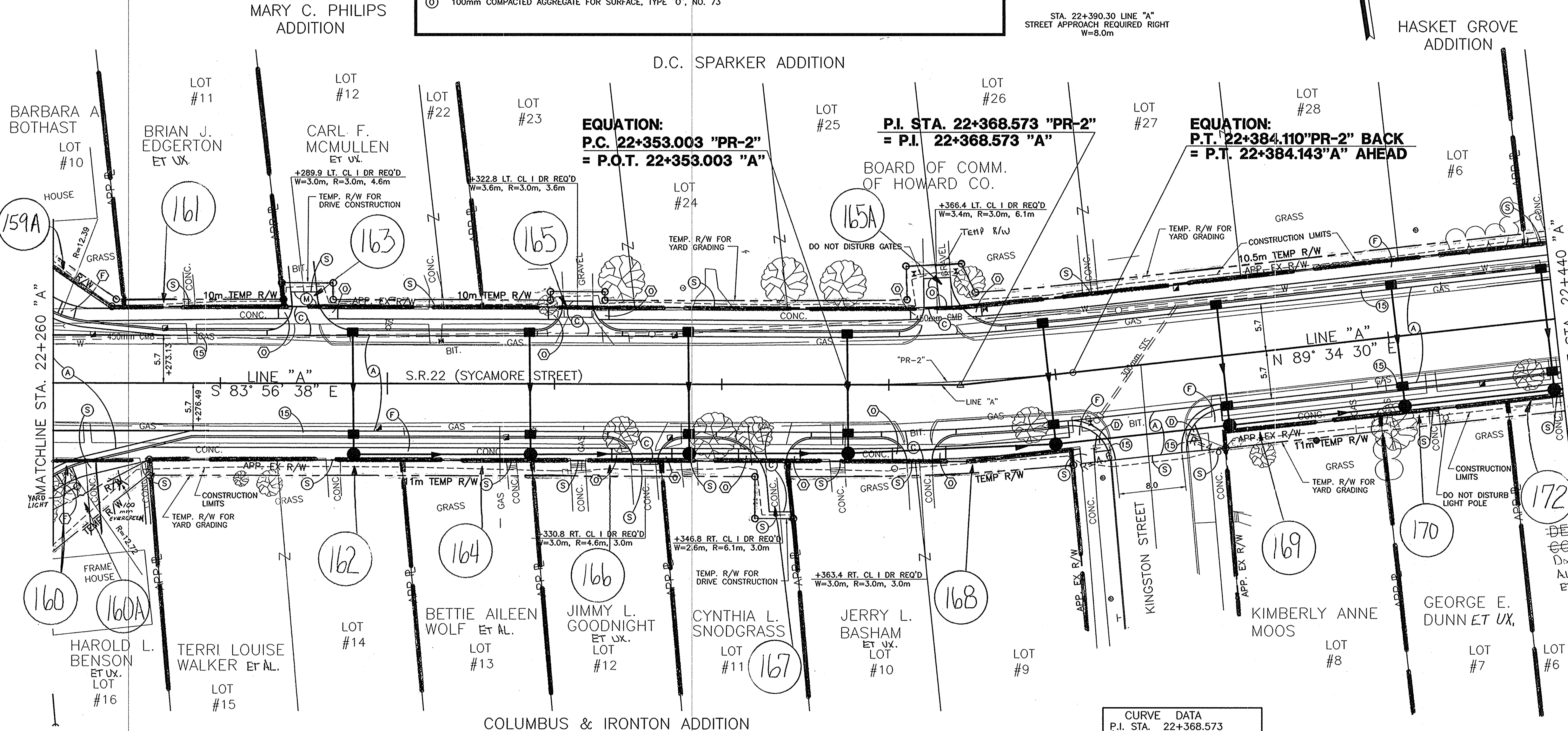
NOTE: ALL DIMENSIONS SHOWN ARE IN METERS UNLESS OTHERWISE NOTED.

	RECOMMENDED FOR APPROVAL: <i>Alan J. DeLaney</i> 12/14/99 DESIGN ENGINEER DATE	INDIANA DEPARTMENT OF TRANSPORTATION CONSTRUCTION DETAILS - STATE ROAD 22 STA. 22+080 'A' TO STA. 22+260 'A'	HORIZONTAL SCALE: 1:250	BRIDGE FILE	
	DESIGNED: MAT DRAWN: DWD		VERTICAL SCALE: 1:50	DESIGNATION: 8677420	
	CHECKED: AJD CHECKED: AJD		SURVEY BOOK: ELECTRONIC CONTRACT	SHEETS: 61 of 80	PROJECT: STP-120-2(007)

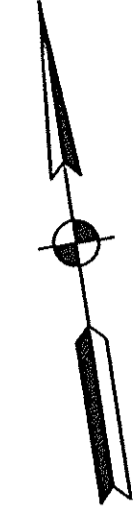
FEDERAL ROAD REGION NO.	STATE	PROJECT NO.	FISCAL YR.	SHEET NO.	TOTAL SHEETS
5	IND	STP-120-2(007)	2000	62	80

LEGEND

(A) FULL DEPTH HMA PAVEMENT: 75kg/m ² - QC/QA - HMA SURFACE 9.5mm, MAINLINE ON 165kg/m ² - QC/QA - HMA INTERMEDIATE 19.0mm, MAINLINE ON 240kg/m ² - QC/QA - HMA BASE 25.0mm, MAINLINE ON 165kg/m ² - HMA BASE C25.0mm, MAINLINE ON 180kg/m ² - QC/QA - HMA BASE 25.0mm, MAINLINE	(S) SAW CUT
(D) CEMENT CONCRETE PAVEMENT FOR DRIVEWAYS, 150mm	(C) CURB RAMP, (AS NOTED)
(F) SIDEWALK, CONCRETE 150mm	(13) CONCRETE CURB
(M) HMA FOR APPROACHES (CONSISTING OF): 75kg/m ² HMA SURFACE 9.5mm, MAINLINE ON 165kg/m ² HMA BASE 25.0mm, MAINLINE ON 100mm COMPACTED AGGREGATE BASE, TYPE "O", NO.53	(26) SODDING
(O) 100mm COMPACTED AGGREGATE FOR SURFACE, TYPE "O", NO. 73	(15) CURB AND GUTTER, CONCRETE



STA. 22+390.30 LINE "A"
STREET APPROACH REQUIRED RIGHT
W=8.0m



CURVE DATA

P.I. STA.	22+368.573
Δ	6°-28'-52" LT
R	275m
L	31.107m
E	15.570m
E	0.440m

NOTE: ALL DIMENSIONS SHOWN ARE IN METERS UNLESS OTHERWISE NOTED.

P:\PROJECTS\CAD\DWG\NET2003\12-20-99_9:48:54 pm BLACK

	RECOMMENDED FOR APPROVAL: <i>Alan J. DeLaney</i> 12/14/99 DESIGN ENGINEER DATE	INDIANA DEPARTMENT OF TRANSPORTATION	HORIZONTAL SCALE: 1:250	BRIDGE FILE
	DESIGNED: MAT DRAWN: DWD		CONSTRUCTION DETAILS - STATE ROAD 22 STA. 22+260 "A" TO STA. 22+440 "A"	VERTICAL SCALE
CHECKED: AJD	CHECKED: AJD		SURVEY BOOK ELECTRONIC CONTRACT	SHEETS: 62 of 80 PROJECT: STP-120-2(007)

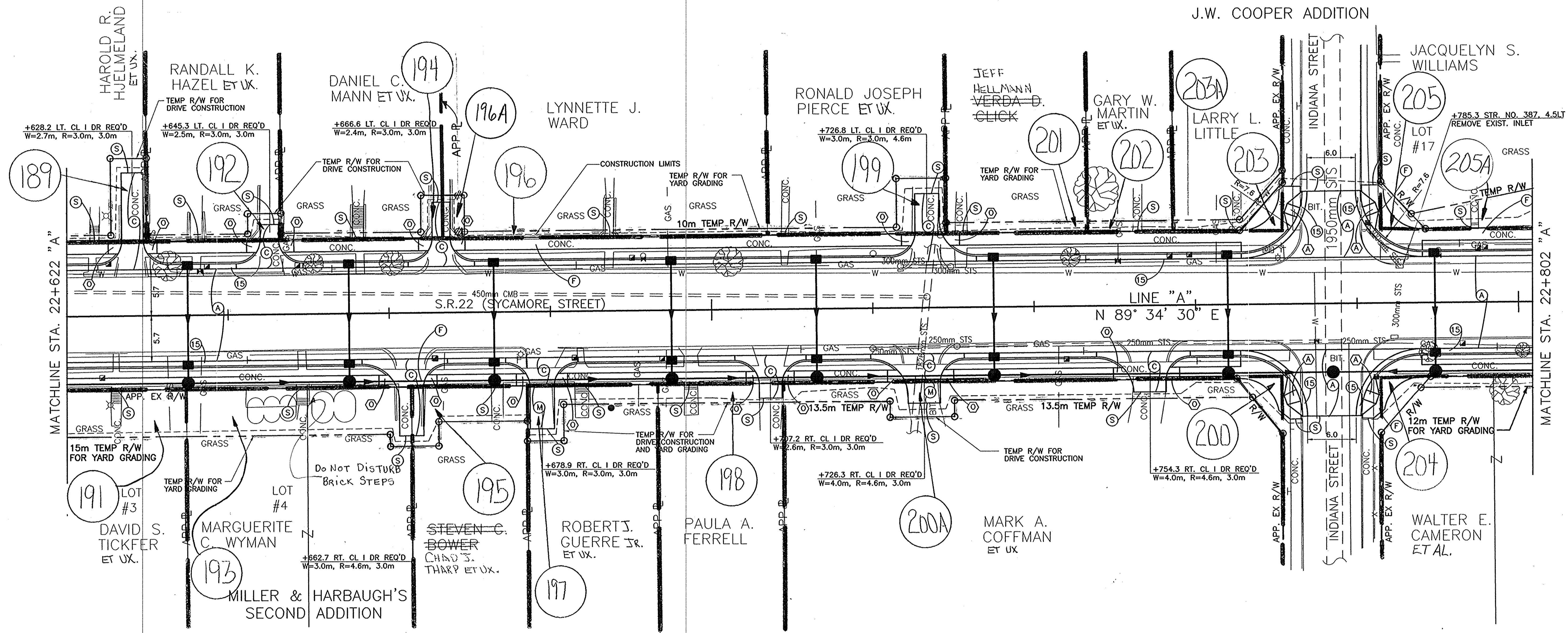
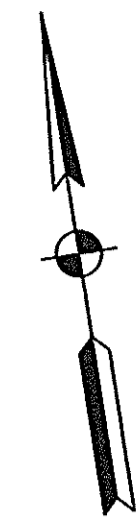
FEDERAL ROAD REGION NO.	STATE	PROJECT NO.	FISCAL YR.	SHEET NO.	TOTAL SHEETS
5	IND	STP-120-2(007)	2000	64	80

REV 4-18-01, ADDED DO NOT DISTURB NOTE ON PAR. 193.
M.E. HALL.

LEGEND

- (A) FULL DEPTH HMA PAVEMENT:
75kg/m² - QC/QA - HMA SURFACE 9.5mm, MAINLINE ON
165kg/m² - QC/QA - HMA INTERMEDIATE 19.0mm, MAINLINE ON
240kg/m² - QC/QA - HMA BASE 25.0mm, MAINLINE ON
165kg/m² - HMA BASE C25.0mm, MAINLINE ON
180kg/m² - QC/QA - HMA BASE 25.0mm, MAINLINE
- (C) CEMENT CONCRETE PAVEMENT FOR DRIVEWAYS, 150mm
- (F) SIDEWALK, CONCRETE 150mm
- (M) HMA FOR APPROACHES (CONSISTING OF):
75kg/m² HMA SURFACE 9.5mm, MAINLINE ON
165kg/m² HMA BASE 25.0mm, MAINLINE ON
100mm COMPACTED AGGREGATE BASE, TYPE "0", NO.53
- (S) SAW CUT
- (C) CURB RAMP. (AS NOTED)
- (13) CONCRETE CURB
- (15) CURB AND GUTTER, CONCRETE
- (26) SODDING

STA. 22+776.90 LINE "A"
STREET APPROACH REQUIRED LEFT AND RIGHT
W=6.0m



NOTE: ALL DIMENSIONS SHOWN ARE IN METERS UNLESS OTHERWISE NOTED.



RECOMMENDED FOR APPROVAL	<i>Alan J. Delaney</i>	12/14/99	DATE
DESIGNED:	MAT	DRAWN:	DWD
CHECKED:	AJD	CHECKED:	AJD

INDIANA DEPARTMENT OF TRANSPORTATION
CONSTRUCTION DETAILS - STATE ROAD 22
STA. 22+622 "A" TO STA. 22+802 "A"

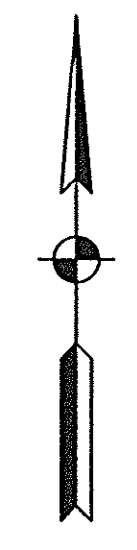
HORIZONTAL SCALE	BRIDGE FILE
1:250	
VERTICAL SCALE	DESIGNATION
1:50	8677420
SURVEY BOOK	SHEETS
ELECTRONIC	64 of 80
CONTRACT	PROJECT
	STP-120-2(007)

P:\PROJECTS\INDIAN\ST22.DWG 12-14-99 10:09 PM VCAVER

FEDERAL ROAD DISTRICT NO.	STATE	PROJECT NO.	FISCAL YR.	SHEET NO.	TOTAL SHEETS
5	IND	STP-120-2(007)	2000	65	80

LEGEND

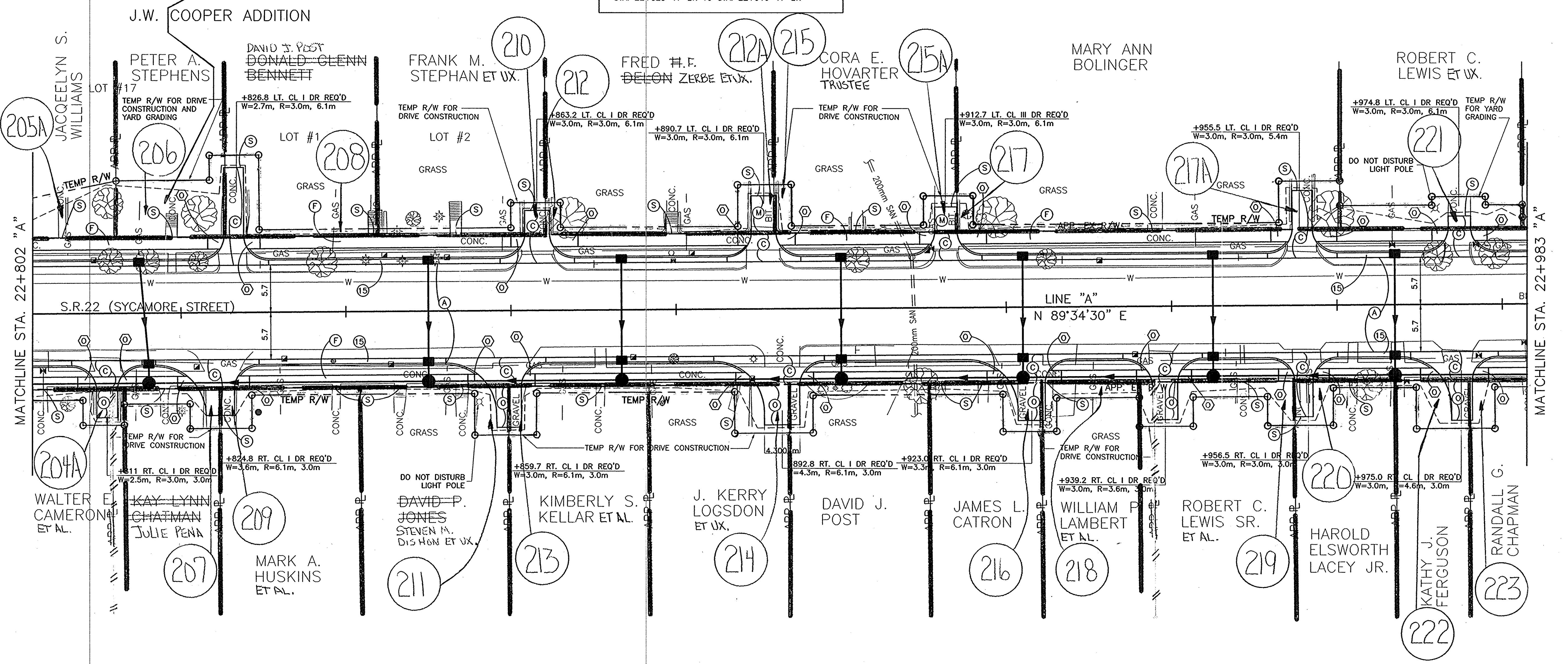
(A) FULL DEPTH HMA PAVEMENT: 75kg/m ² - QC/QA - HMA SURFACE 9.5mm, MAINLINE ON 165kg/m ² - QC/QA - HMA INTERMEDIATE 19.0mm, MAINLINE ON 240kg/m ² - QC/QA - HMA BASE 25.0mm, MAINLINE ON 165kg/m ² - HMA BASE C25.0mm, MAINLINE ON 180kg/m ² - QC/QA - HMA BASE 25.0mm, MAINLINE	(D) 100mm COMPACTED AGGREGATE FOR SURFACE, TYPE "O", No. 73
(C) CEMENT CONCRETE PAVEMENT FOR DRIVEWAYS, 150mm	(S) SAW CUT
(F) SIDEWALK, CONCRETE 150mm	(R) CURB RAMP, (AS NOTED)
(M) HMA FOR APPROACHES (CONSISTING OF): 75kg/m ² HMA SURFACE 9.5mm, MAINLINE ON 165kg/m ² HMA BASE 25.0mm, MAINLINE ON 100mm COMPACTED AGGREGATE BASE, TYPE "O", NO.53	(15) CURB AND GUTTER, CONCRETE
	(26) SODDING



22+900

Do Not Disturb Drainage Tile, Building, Yard Light, Tree, Steps and Iron Railings.

NOTE: CONCRETE SIDEWALK TO BE CONSTRUCTED TO FACE OF EXISTING RETAINING WALLS. DO NOT DISTURB WALLS. STA. 22+828 "A" LT. TO STA. 22+910 "A" LT.



NOTE: ALL DIMENSIONS SHOWN ARE IN METERS UNLESS OTHERWISE NOTED.

PAPER 25 IN. CADD, NETS.DWG 12-14-99 12:50:35 PM WEAVER



RECOMMENDED FOR APPROVAL: *Alan J. DeLaney* 12/14/99 DATE
DESIGN ENGINEER

DESIGNED: MAT DRAWN: DWD
CHECKED: AJD CHECKED: AJD

INDIANA DEPARTMENT OF TRANSPORTATION

CONSTRUCTION DETAILS - STATE ROAD 22 STA. 22+802 "A" TO STA. 22+983 "A"

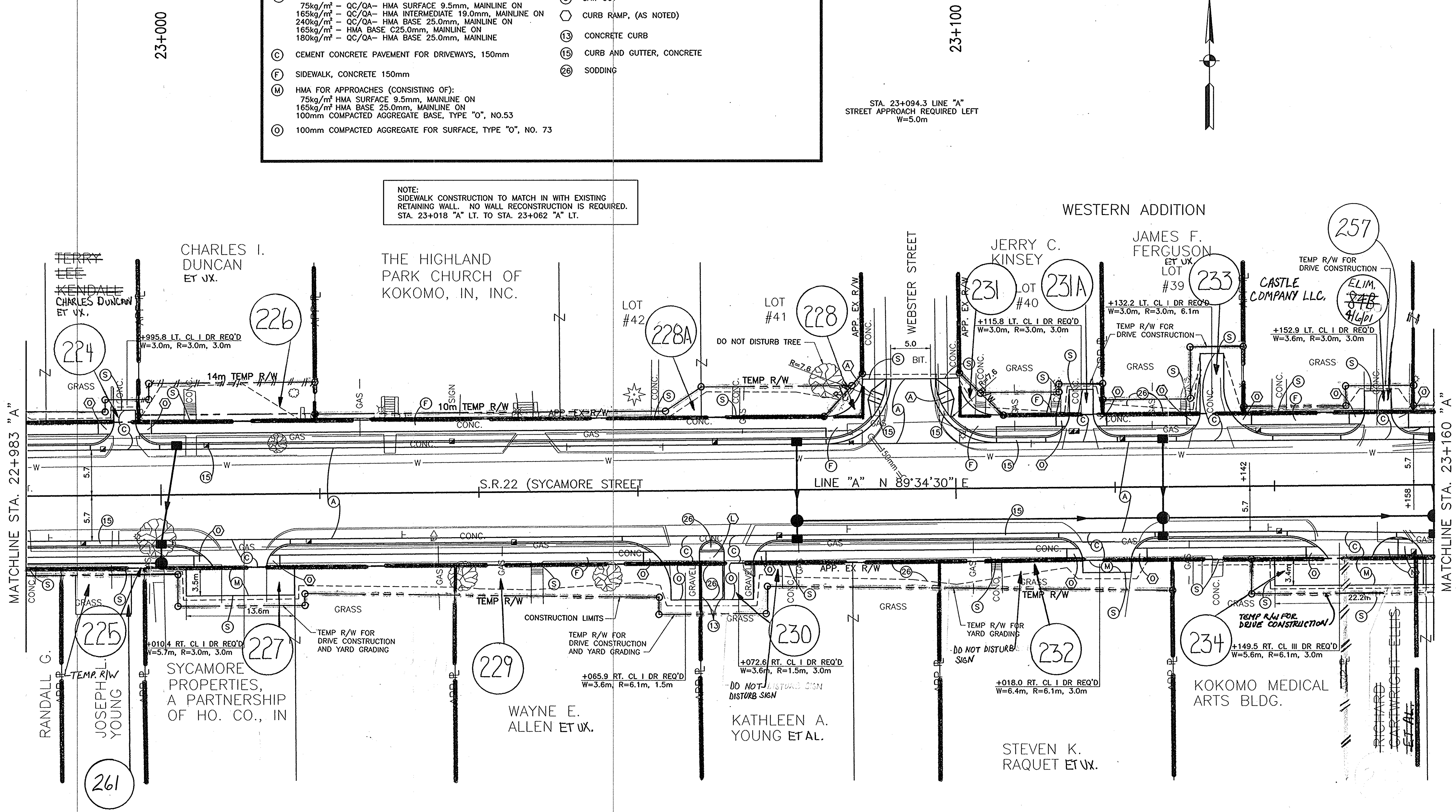
HORIZONTAL SCALE	BRIDGE FILE
1:250	
VERTICAL SCALE	DESIGNATION
1:50	867420
SURVEY BOOK	SHEETS
ELECTRONIC	65 of 80
CONTRACT	PROJECT
	STP-120-2(007)

FEDERAL ROAD REGION NO.	STATE	PROJECT NO.	FISCAL YR.	SHEET NO.	TOTAL SHEETS
5	IND	STP-120-2(007)	2000	66	80

LEGEND

(A) FULL DEPTH HMA PAVEMENT: 75kg/m ² - QC/QA- HMA SURFACE 9.5mm, MAINLINE ON 165kg/m ² - QC/QA- HMA INTERMEDIATE 19.0mm, MAINLINE ON 240kg/m ² - QC/QA- HMA BASE 25.0mm, MAINLINE ON 165kg/m ² - HMA BASE C25.0mm, MAINLINE ON 180kg/m ² - QC/QA- HMA BASE 25.0mm, MAINLINE	(S) SAW CUT
(C) CEMENT CONCRETE PAVEMENT FOR DRIVEWAYS, 150mm	(6) CURB RAMP, (AS NOTED)
(F) SIDEWALK, CONCRETE 150mm	(13) CONCRETE CURB
(M) HMA FOR APPROACHES (CONSISTING OF): 75kg/m ² HMA SURFACE 9.5mm, MAINLINE ON 165kg/m ² HMA BASE 25.0mm, MAINLINE ON 100mm COMPACTED AGGREGATE BASE, TYPE "O", NO.53	(15) CURB AND GUTTER, CONCRETE
(D) 100mm COMPACTED AGGREGATE FOR SURFACE, TYPE "O", NO. 73	(26) SODDING

NOTE:
SIDEWALK CONSTRUCTION TO MATCH IN WITH EXISTING
RETAINING WALL. NO WALL RECONSTRUCTION IS REQUIRED.
STA. 23+018 "A" LT. TO STA. 23+062 "A" LT.



NOTE: ALL DIMENSIONS SHOWN ARE IN METERS UNLESS OTHERWISE NOTED.

P:\PROJECTS\2000\STP-120-2\23-160\23-160.dwg 12-14-99 10:47 am VEWER



RECOMMENDED FOR APPROVAL	<i>Alan J. Delaney</i>	DATE	12/14/99
DESIGNED:	MAT	DRAWN:	DWD
CHECKED:	AJD	CHECKED:	AJD

INDIANA DEPARTMENT OF TRANSPORTATION

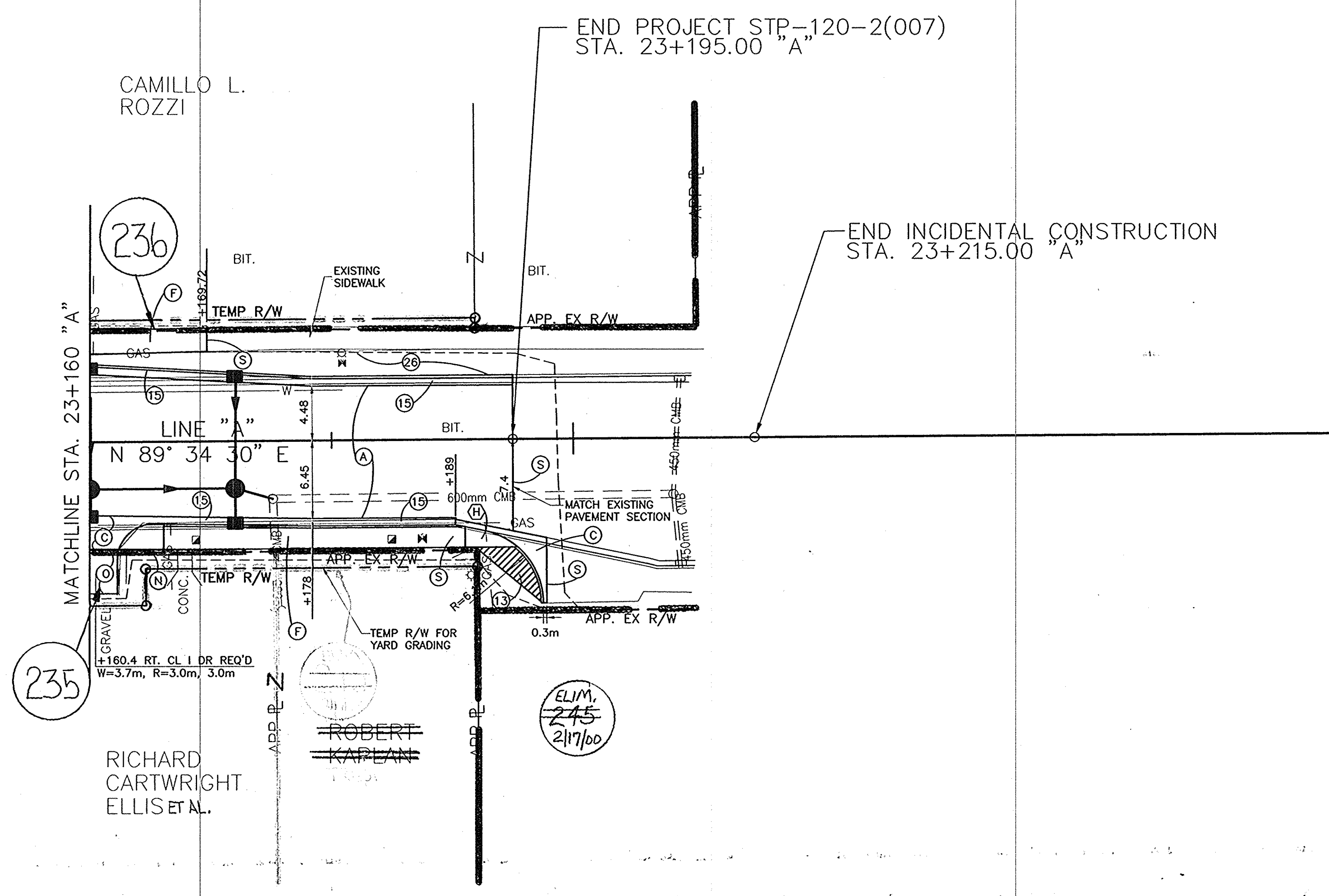
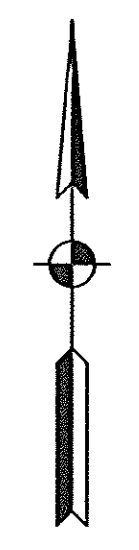
CONSTRUCTION DETAILS - STATE ROAD 22
STA. 22+983 "A" TO STA. 23+160 "A"

HORIZONTAL SCALE	BRIDGE FILE
1:250	
VERTICAL SCALE	DESIGNATION
1:50	8677420
SURVEY BOOK	SHEETS
ELECTRONIC CONTRACT	66 of 80 PROJECT
	STP-120-2(007)

FEDERAL ROAD REGION NO.	STATE	PROJECT NO.	FISCAL YR.	SHEET NO.	TOTAL SHEETS
5	IND	STP-120-2(007)	2000	67	80

LEGEND

(A) FULL DEPTH HMA PAVEMENT: 75kg/m ² - QC/QA- HMA SURFACE 9.5mm, MAINLINE ON 165kg/m ² - QC/QA- HMA INTERMEDIATE 19.0mm, MAINLINE ON 240kg/m ² - QC/QA- HMA BASE 25.0mm, MAINLINE ON 165kg/m ² - HMA BASE C25.0mm, MAINLINE ON 180kg/m ² - QC/QA- HMA BASE 25.0mm, MAINLINE	(S) SAW CUT
(C) CEMENT CONCRETE PAVEMENT FOR DRIVEWAYS, 150mm	(13) CONCRETE CURB
(F) SIDEWALK, CONCRETE 150mm	(15) CURB AND GUTTER, CONCRETE
(O) 100mm COMPACTED AGGREGATE FOR SURFACE, TYPE "O", NO. 73	(26) SODDING
	[Hatched Box] PAVEMENT REMOVAL



NOTE: ALL DIMENSIONS SHOWN ARE IN METERS UNLESS OTHERWISE NOTED.

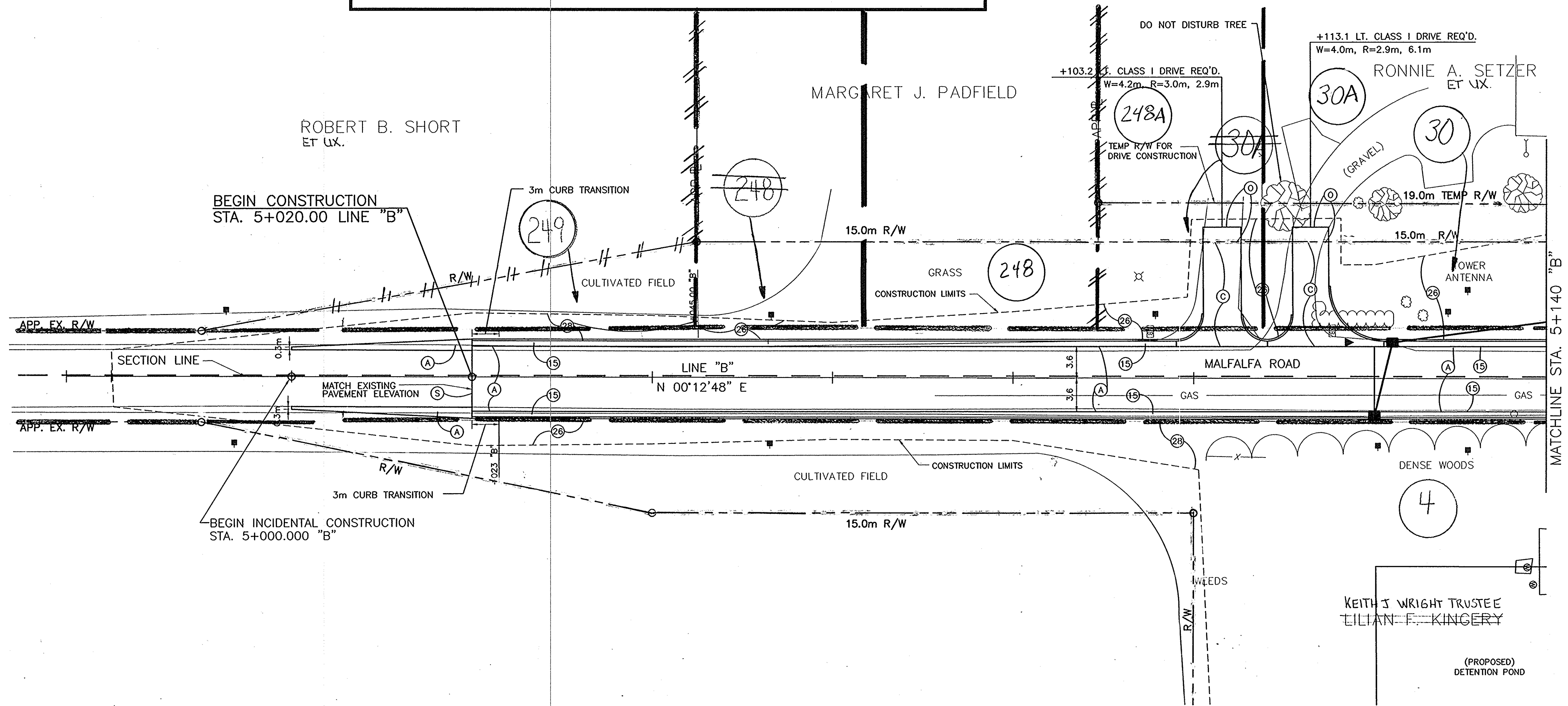
P:\PROJECTS\STATE\STP-120-2(007)\DWG 12-14-99 10:58 PM WEAVER

	RECOMMENDED FOR APPROVAL	<i>Alan J. DeLaney</i> 12/14/99	DESIGN ENGINEER	DATE
	DESIGNED:	MAT	DRAWN:	DWD
	CHECKED:	AJD	CHECKED:	AJD
	INDIANA DEPARTMENT OF TRANSPORTATION		CONSTRUCTION DETAILS - STATE ROAD 22 STA. 23+160 "A" TO STA. 23+215 "A"	
HORIZONTAL SCALE 1:250		BRIDGE FILE		
VERTICAL SCALE 1:50		DESIGNATION B677420		
SURVEY BOOK ELECTRONIC CONTRACT		SHEETS 67 of 80 PROJECT STP-120-2(007)		

FEDERAL ROAD DISTRICT NO.	STATE	PROJECT NO.	FISCAL YR.	SHEET NO.	TOTAL SHEETS
5	IND	STP-120-2(007)	2000	68	80

LEGEND

(A) FULL DEPTH HMA PAVEMENT: 75kg/m ² - QC/QA - HMA SURFACE 9.5mm, MAINLINE ON 165kg/m ² - QC/QA - HMA INTERMEDIATE 19.0mm, MAINLINE ON 240kg/m ² - QC/QA - HMA BASE 25.0mm, MAINLINE ON 165kg/m ² - HMA BASE C25.0mm, MAINLINE ON 180kg/m ² - QC/QA - HMA BASE 25.0mm, MAINLINE	(S) SAW CUT
(C) CEMENT CONCRETE PAVEMENT FOR DRIVEWAYS, 150mm	(15) CURB AND GUTTER, CONCRETE
(F) SIDEWALK, CONCRETE 150mm	(26) SODDING
(O) 100mm COMPACTED AGGREGATE FOR SURFACE, TYPE "O", NO. 73	(28) SEED MIXTURE, CV



BEGIN CONSTRUCTION STA. 5+020.00 LINE "B"

BEGIN INCIDENTAL CONSTRUCTION STA. 5+000.000 "B"

FOR DETENTION POND DETAILS SEE SHEET NO. _____

NOTE: ALL DIMENSIONS SHOWN ARE IN METERS UNLESS OTHERWISE NOTED.

P:\PR21351\CADD\DET250.DWG 12-14-99 103343 pm WEAVER



RECOMMENDED FOR APPROVAL	<i>Alan J. Delaney</i> 12/14/99	DESIGN ENGINEER	DATE
DESIGNED:	MAT	DRAWN:	DWD
CHECKED:	AJD	CHECKED:	AJD

INDIANA DEPARTMENT OF TRANSPORTATION

CONSTRUCTION DETAILS - MALFALFA ROAD
STA. 5+000 "B" TO STA. 5+140 "B"

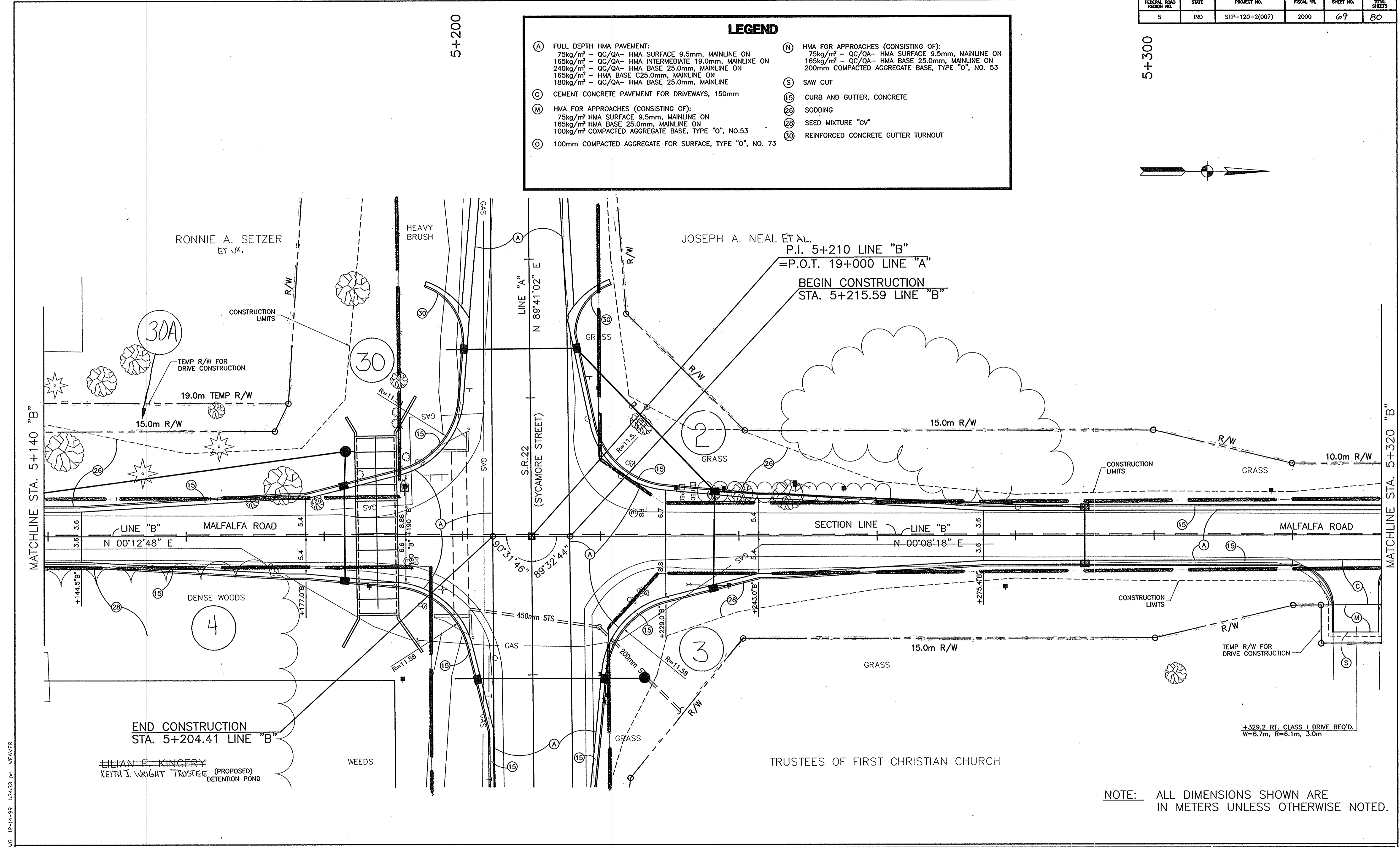
HORIZONTAL SCALE	BRIDGE FILE
1:250	
VERTICAL SCALE	DESIGNATION
	8677420
SURVEY BOOK	SHEETS
ELECTRONIC	68 of 80
CONTRACT	PROJECT
	STP-120-2(007)

FEDERAL ROAD REGION NO.	STATE	PROJECT NO.	FISCAL YR.	SHEET NO.	TOTAL SHEETS
5	IND	STP-120-2(007)	2000	69	80

LEGEND

<p>(A) FULL DEPTH HMA PAVEMENT: 75kg/m² - QC/QA- HMA SURFACE 9.5mm, MAINLINE ON 165kg/m² - QC/QA- HMA INTERMEDIATE 19.0mm, MAINLINE ON 240kg/m² - QC/QA- HMA BASE 25.0mm, MAINLINE ON 165kg/m² - HMA BASE C25.0mm, MAINLINE ON 180kg/m² - QC/QA- HMA BASE 25.0mm, MAINLINE</p> <p>(C) CEMENT CONCRETE PAVEMENT FOR DRIVEWAYS, 150mm</p> <p>(M) HMA FOR APPROACHES (CONSISTING OF): 75kg/m² HMA SURFACE 9.5mm, MAINLINE ON 165kg/m² HMA BASE 25.0mm, MAINLINE ON 100kg/m² COMPACTED AGGREGATE BASE, TYPE "O", NO. 53</p> <p>(O) 100mm COMPACTED AGGREGATE FOR SURFACE, TYPE "O", NO. 73</p>	<p>(N) HMA FOR APPROACHES (CONSISTING OF): 75kg/m² - QC/QA- HMA SURFACE 9.5mm, MAINLINE ON 165kg/m² - QC/QA- HMA BASE 25.0mm, MAINLINE ON 200mm COMPACTED AGGREGATE BASE, TYPE "O", NO. 53</p> <p>(S) SAW CUT</p> <p>(15) CURB AND GUTTER, CONCRETE</p> <p>(26) SODDING</p> <p>(28) SEED MIXTURE "CV"</p> <p>(50) REINFORCED CONCRETE GUTTER TURNOUT</p>
--	---

5+300



P:\R125\13\CAD\DWG\12-14-99_134033.dwg 12-14-99 134033 pm WEAVER

END CONSTRUCTION
STA. 5+204.41 LINE "B"

LILIAN F. KINGERY
KEITH J. WRIGHT TRUSTEE (PROPOSED)
DETENTION POND

TRUSTEES OF FIRST CHRISTIAN CHURCH

NOTE: ALL DIMENSIONS SHOWN ARE
IN METERS UNLESS OTHERWISE NOTED.



RECOMMENDED FOR APPROVAL	<i>Alan J. DeLainy</i>	12/14/99
DESIGNED:	MAT	DRAWN: DWD
CHECKED:	AJD	CHECKED: AJD

INDIANA
DEPARTMENT OF TRANSPORTATION

CONSTRUCTION DETAILS - MALFALFA ROAD
STA. 5+140 "B" TO STA. 5+320 "B"

HORIZONTAL SCALE	BRIDGE FILE
1:250	
VERTICAL SCALE	DESIGNATION
	8677420
SURVEY BOOK	SHEETS
ELECTRONIC	69 of 80
CONTRACT	PROJECT
	STP-120-2(007)

FEDERAL ROAD REGION NO.	STATE	PROJECT NO.	FISCAL YR.	SHEET NO.	TOTAL SHEETS
5	IND	STP-120-2(007)	2000	70	80

LEGEND

(A) FULL DEPTH HMA PAVEMENT:
 75kg/m² - QC/QA - HMA SURFACE 9.5mm, MAINLINE ON
 165kg/m² - QC/QA - HMA INTERMEDIATE 19.0mm, MAINLINE ON
 240kg/m² - QC/QA - HMA BASE 25.0mm, MAINLINE ON
 165kg/m² - HMA BASE C25.0mm, MAINLINE ON
 180kg/m² - QC/QA - HMA BASE 25.0mm, MAINLINE

(C) CEMENT CONCRETE PAVEMENT FOR DRIVEWAYS, 150mm

(M) HMA FOR APPROACHES (CONSISTING OF):
 75kg/m² HMA SURFACE 9.5mm, MAINLINE ON
 165kg/m² HMA BASE 25.0mm, MAINLINE ON
 100kg/m² COMPACTED AGGREGATE BASE, TYPE "O", NO.53

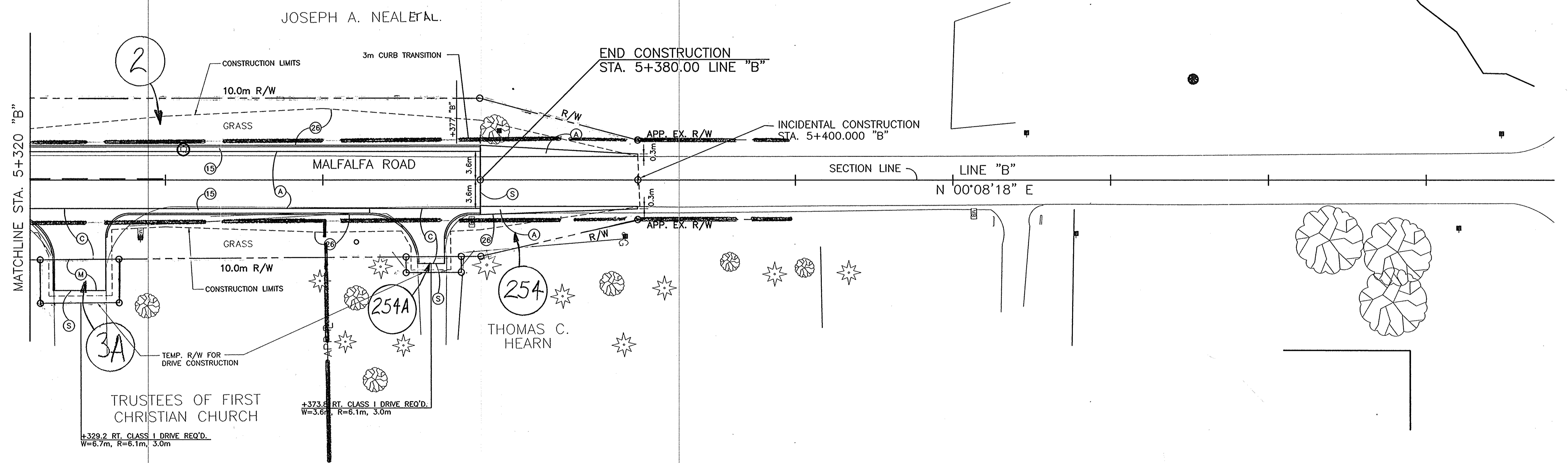
(O) 100mm COMPACTED AGGREGATE FOR SURFACE, TYPE "O", NO. 73

(S) SAW CUT

(15) CURB AND GUTTER, CONCRETE

(26) SODDING

5+400



NOTE: ALL DIMENSIONS SHOWN ARE IN METERS UNLESS OTHERWISE NOTED.

P:\PROJECTS\CAJUN\DET31.DWG 12-14-99 10:53:11 PM WEAVER



RECOMMENDED FOR APPROVAL	<i>Alan J. DeLuca</i>	12/14/99	DATE
DESIGNED:	MAT	DRAWN:	DWD
CHECKED:	AJD	CHECKED:	AJD

INDIANA DEPARTMENT OF TRANSPORTATION

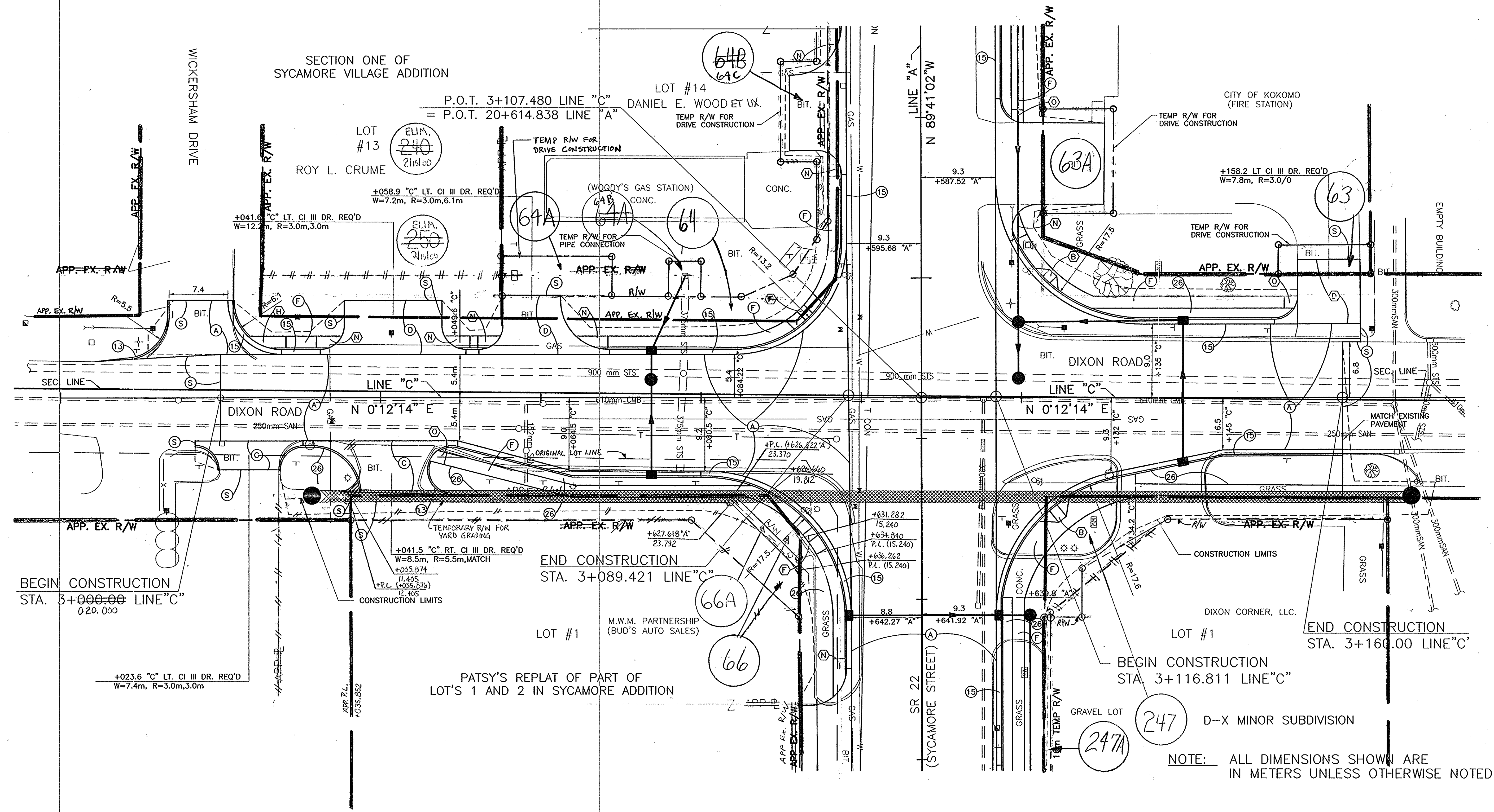
CONSTRUCTION DETAILS - MALFALFA ROAD
 STA. 5+320 "B" TO STA. 5+540 "B"

HORIZONTAL SCALE	BRIDGE FILE
1:250	
VERTICAL SCALE	DESIGNATION
	8677420
SURVEY BOOK	SHEETS
ELECTRONIC	70 of 80
CONTRACT	PROJECT
	STP-120-2(007)

FEDERAL ROAD REGION NO.	STATE	PROJECT NO.	FISCAL YR.	SHEET NO.	TOTAL SHEETS
5	IND	STP-120-2(007)	2000	71	80

LEGEND

(A) FULL DEPTH HMA PAVEMENT: 75kg/m ² - QC/QA- HMA SURFACE 9.5mm, MAINLINE ON 165kg/m ² - QC/QA- HMA INTERMEDIATE 19.0mm, MAINLINE ON 240kg/m ² - QC/QA- HMA BASE 25.0mm, MAINLINE ON 165kg/m ² - HMA BASE C25.0mm, MAINLINE ON 180kg/m ² - QC/QA- HMA BASE 25.0mm, MAINLINE	(S) SAW CUT
(C) CEMENT CONCRETE PAVEMENT FOR DRIVEWAYS, 150mm	(O) CURB RAMP, (AS NOTED)
(D) CEMENT CONCRETE PAVEMENT FOR DRIVEWAYS, 150mm ON 150mm COMPACTED AGGREGATE FOR BASE, TYPE "O", NO. 53	(13) CONCRETE CURB
(F) SIDEWALK, CONCRETE 150mm	(15) CURB AND GUTTER, CONCRETE
	(26) SODDING



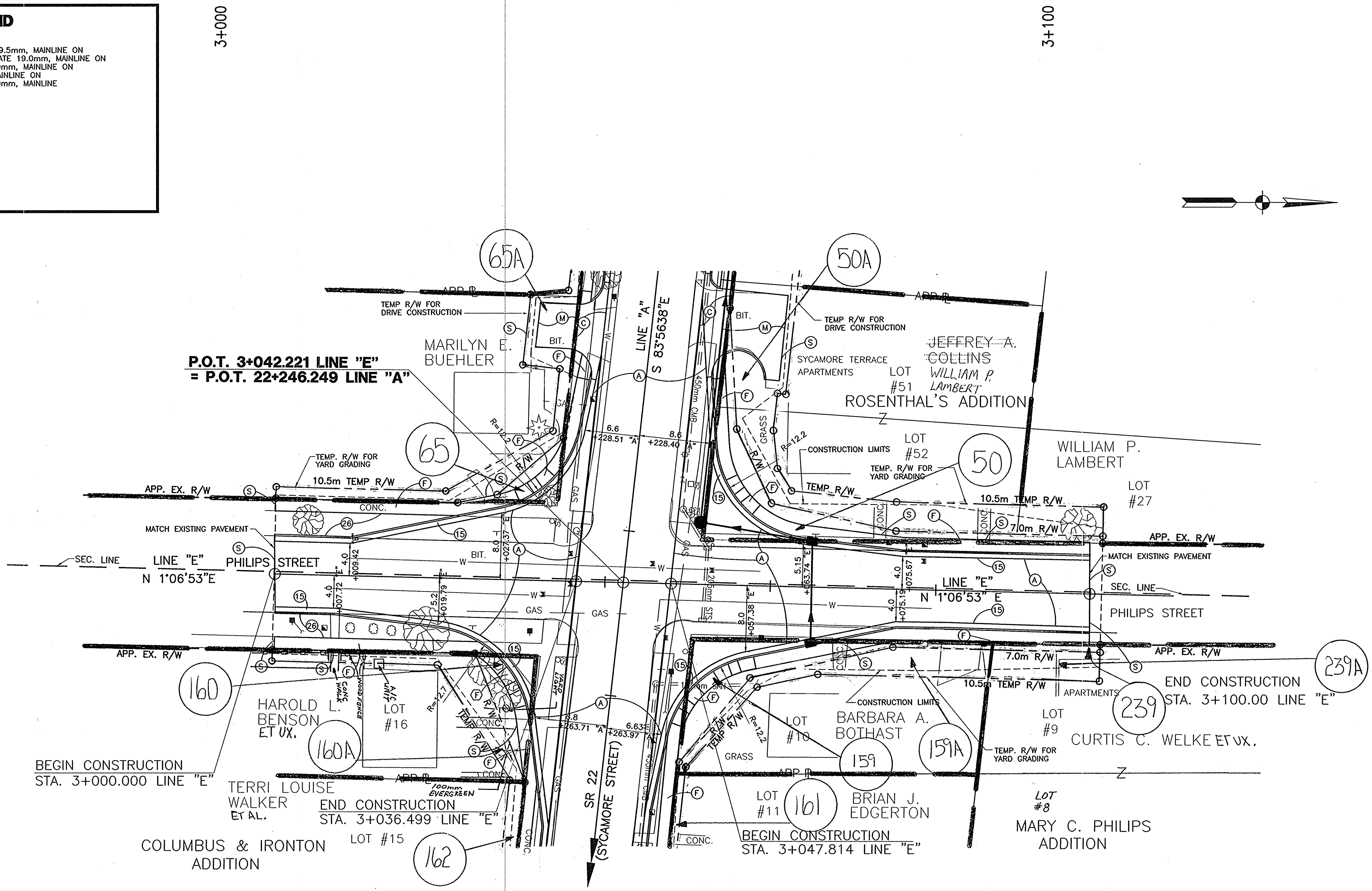
P:\PRE135\1\CADD\DET26.DWG 12-14-99 13:53 pm WEAVER

NOTE: ALL DIMENSIONS SHOWN ARE IN METERS UNLESS OTHERWISE NOTED.

	RECOMMENDED FOR APPROVAL: <i>Alan J. DeLaney</i> 12/14/99 DESIGN ENGINEER DATE	INDIANA DEPARTMENT OF TRANSPORTATION CONSTRUCTION DETAIL - DIXON ROAD STA. 3+010 "C" TO STA. 3+070 "C"	HORIZONTAL SCALE: 1:250	BRIDGE FILE
	DESIGNED: MAT DRAWN: DWD CHECKED: AJD CHECKED: AJD		VERTICAL SCALE: DESIGNATION: B677420	SURVEY BOOK: SHEETS: 71 of 80 ELECTRONIC CONTRACT: PROJECT: STP-120-2(007)

FEDERAL ROAD REGION NO.	STATE	PROJECT NO.	FISCAL YR.	SHEET NO.	TOTAL SHEETS
5	IND	STP-120-2(007)	2000	73	80

LEGEND	
(A)	FULL DEPTH HMA PAVEMENT: 75kg/m ² - QC/OA- HMA SURFACE 9.5mm, MAINLINE ON 165kg/m ² - QC/OA- HMA INTERMEDIATE 19.0mm, MAINLINE ON 240kg/m ² - QC/OA- HMA BASE 25.0mm, MAINLINE ON 165kg/m ² - HMA BASE C25.0mm, MAINLINE ON 180kg/m ² - QC/OA- HMA BASE 25.0mm, MAINLINE
(F)	SIDEWALK, CONCRETE 150mm
(S)	SAW CUT
(C)	CURB RAMP, (AS NOTED)
(15)	CURB AND GUTTER, CONCRETE
(26)	SODDING



P.O.T. 3+042.221 LINE "E"
= P.O.T. 22+246.249 LINE "A"

BEGIN CONSTRUCTION STA. 3+000.000 LINE "E"
END CONSTRUCTION STA. 3+036.499 LINE "E"

BEGIN CONSTRUCTION STA. 3+047.814 LINE "E"

NOTE: SIDEWALK TO BE CONSTRUCTED TO BASE OF RETAINING WALL. NO WALL RECONSTRUCTION NECESSARY.
STA 3+000.00 "E" TO STA. 3+024.2 "E" RT.

NOTE: ALL DIMENSIONS SHOWN ARE IN METERS UNLESS OTHERWISE NOTED.

P:\PR2135\ACADD\NET28.DWG 12-14-99 11:57:02 on BLACK



RECOMMENDED FOR APPROVAL	<i>Alan J. Delaney</i> 12/14/99	DESIGN ENGINEER	DATE
DESIGNED:	MAT	DRAWN:	DWD
CHECKED:	AJD	CHECKED:	AJD

INDIANA DEPARTMENT OF TRANSPORTATION
CONSTRUCTION DETAIL - PHILIPS STREET
STA. 3+000 "E" TO STA. 3+100 "E"

HORIZONTAL SCALE	BRIDGE FILE
1:250	
VERTICAL SCALE	DESIGNATION
1:100	8677420
SURVEY BOOK	SHEETS
ELECTRONIC	73 of 80
CONTRACT	PROJECT
	ST-120-2(007)

LOCATION (STATION)	DESCRIPTION (APPROACH TYPE OR CLASS)	WIDTH	LENGTH	DISTANCE BEYOND ROW LINE	RADI		GRADE (LESS THAN 10% NOT SHOWN)		EXCAVATION		HMA FOR APPROACHES		HMA PAVEMENT (MAINLINE)					QC/QA- HMA PAVEMENT (MAINLINE)			TYPE "O" COMPACTED AGGREGATE FOR BASE, No. 53			BITUMINOUS MATERIAL FOR			CEMENT CONCRETE FOR SIDEWALKS	COMBINED CURB & GUTTER, CONCRETE	TYPE "O" COMPACTED AGGREGATE SURFACE No. 73	REMARKS											
					"R"		1	2	m ²		240 kg/m ²	SURFACE	INTER.	BASE	SURFACE	INTER.	BASE	BASE	BASE	100mm	150mm	200mm	SEAL COAT TYPE 2	PRIME COAT	TACK COAT	150 mm.					100mm	100mm									
					LT.	RT.	%	%	CUT	FILL	Mg	9.5 mm	19.0 mm	C25.0 mm	9.5 mm	19.0 mm	25.0 mm	25.0 mm	Mg	Mg	Mg	m ²	Mg	Mg	m ²	m ²					m	Mg									
					m	m	m	m	m	m	Mg	Mg	Mg	Mg	Mg	Mg	Mg	Mg	Mg	Mg	Mg	Mg	m ²	Mg	Mg	m ²					m ²	m	Mg								
LINE "A"																																									
18+900-23+195	SR 22	Varies	4295.0										X	X	X	X	X																								
LINE "B"																																									
5+020-5+204.41	MALFALFA ROAD	Varies	184.41										X	X	X	X	X																								
5+215.59-5+380.00		Varies	174.41										X	X	X	X	X																								
LINE "C"																																									
3+020.00-3+098.421	DIXON ROAD	Varies	78.42										X	X	X	X	X																								
3+116.811-3+160.00		Varies	43.19										X	X	X	X	X																								
LINE "D"																																									
3+000.00-3+088.406	BERKLEY STREET	Varies	88.41										X	X	X	X	X																								
3+102.343-3+160.00		Varies	57.66										X	X	X	X	X																								
LINE "E"																																									
3+000.00-3+036.499	PHILIPS STREET	Varies	36.50										X	X	X	X	X																								
3+047.814-3+100.00		Varies	52.19										X	X	X	X	X																								
LINE "A" DRIVES																																									
19+196.15 LT.	CLASS I	3.2			3.0	6.1																																			
19+259.60 LT.	CLASS I	3.6			3.0	6.1																																			
19+284.70 RT.	CLASS I	7.4			6.1	3.0																																			
19+304.40 LT.	CLASS I	6.4			3.0	1.6																																			
19+312.50 LT.	CLASS I	3.6			1.6	3.0																																			
19+374.50 LT.	CLASS I	5.6			3.0	1.8																																			
19+381.90 LT.	CLASS I	3.6			1.8	3.0																																			
19+417.20 LT.	CLASS I	3.6			3.0	1.6																																			
19+451.00 LT.	CLASS I	3.6			3.0	3.0																																			
19+462.50 LT.	CLASS I	3.6			3.0	3.0																																			
19+486.40 LT.	CLASS I	2.4			3.0	1.6					X																														
19+487.50 RT.	CLASS I	4.2			6.1	3.0					X																														
19+514.20 LT.	CLASS I	3.6			3.0	4.6																																			
19+580.90 RT.	CLASS I	8.8			6.1	6.1					X																														
19+726.60 RT.	CLASS I	3.6			3.0	3.0																																			
19+745.70 RT.	CLASS I	3.6			6.1	3.0																																			
19+762.00 RT.	STREET APPROACH	5.2			5.8	6.1							X	X	X	X	X																								
19+762.40 LT.	CLASS I	5.2			3.0	6.1																																			
19+793.00 RT.	CLASS III	10.0			3.0	2.8					X																														
19+814.80 RT.	CLASS III	10.4			2.8	2.8					X																														
19+845.60 LT.	CLASS III	7.4			6.1	6.1					X																														
19+894.50 RT.	CLASS III	8.2			6.1	6.1																																			
19+896.30 LT.	CLASS III	14.0			5.5	6.1					X																														
19+944.30 LT.	CLASS I	3.6			3.0	6.1																																			
19+975.70 RT.	CLASS I	9.3			6.1	3.0																																			
SUBTOTAL (m ²)											0.0	0.0	0.0	0.0	0.0	0.0	0.0	0.0	0.0	0.0	0.0	0.0	0.0	0.0	0.0	0.0	0.0	0.0	0.0	0.0	0.0	0.0	0.0	0.0	0.0	0.0	0.0	0.0			
SUBTOTAL (Mg)											0.0	0.0	0.0	0.0	0.0	0.0	0.0	0.0	0.0	0.0	0.0	0.0	0.0	0.0	0.0	0.0	0.0	0.0	0.0	0.0	0.0	0.0	0.0	0.0	0.0	0.0	0.0	0.0	0.0	0.0	0.0
+5% (+20% FOR FILL)																																									
SUBTOTAL											0.0	0.0	0.0	0.0	0.0	0.0	0.0	0.0	0.0	0.0	0.0	0.0	0.0	0.0	0.0	0.0	0.0	0.0	0.0	0.0	0.0	0.0	0.0	0.0	0.0	0.0	0.0	0.0	0.0	0.0	0.0



RECOMMENDED FOR APPROVAL *Alan J. Delaney* 12/14/99
 DESIGN ENGINEER DATE
 DESIGNED: _____ DRAWN: _____
 CHECKED: _____ CHECKED: _____

INDIANA DEPARTMENT OF TRANSPORTATION
 APPROACH SUMMARY SHEET

DESIGNATION 8677420
 SURVEY BOOK _____ SHEETS 14 of 80
 CONTRACT _____ PROJECT STP-120-2(007)

LOCATION (STATION)	DESCRIPTION (APPROACH TYPE OR CLASS)	WIDTH "W"	LENGTH "L"	DISTANCE BEYOND RAV LINE "R"	RADI		GRADE (LESS THAN 10% NOT SHOWN)		EXCAVATION CUT FILL	HMA FOR APPROACHES 240 kg/m ²	HMA PAVEMENT (MAINLINE)					TYPE "O" COMPACTED AGGREGATE FOR BASE, No. 53			BITUMINOUS MATERIAL FOR			CEMENT CONCRETE PVMT FOR DRIVES 150mm	CEMENT CONCRETE FOR SIDEWALKS 100mm	COMBINED CURB & GUTTER, CONCRETE m	TYPE "O" COMPACTED AGGREGATE SURFACE No. 73 100mm	REMARKS											
					" R "		1	2			SURFACE	INTER	BASE	SURFACE	INTER	BASE	BASE	BASE	100mm	150mm	200mm						SEAL COAT TYPE 2	PRIME COAT	TACK COAT	150 mm.	100mm						
					LT.	RT.	%	%			9.5 mm	19.0 mm	C25.0 mm	9.5 mm	19.0 mm	25.0 mm	25.0 mm	90 kg/m ²	165 kg/m ²	75 kg/m ²	165 kg/m ²						180 kg/m ²	240 kg/m ²	Mg	Mg	Mg	m ²	Mg	Mg	m ²	m ²	Mg
					m	m	m	m			m	m	%	%	m ²	Mg	Mg	Mg	Mg	Mg	Mg						Mg	Mg	Mg	Mg	Mg	Mg	Mg	Mg	Mg	Mg	Mg
LINE "A"	DRIVES																																				
20+521.20 LT.	CLASS I	5.0			3.0	6.1				X									X																		
50+541.40 RT.	STREET APPROACH	6.6			6.1	6.1					X	X	X	X	X																						
20+579.40 RT.	CLASS III	5.6			3.0	3.0														X																	
20+585.80 LT.	CLASS III	10.2			3.0	3.0				X										X	X																
20+657.70 RT.	CLASS III	9.0			4.6	4.6														X																	
20+668.90 LT.	CLASS I	10.4			3.0	3.8																															
20+675.00 RT.	CLASS III	6.0			3.0	1.5				X										X	X																
20+686.50 LT.	CLASS III	9.0			3.8	6.1				X										X	X																
20+698.00 RT.	CLASS III	6.0			1.5	3.0				X										X	X																
20+731.30 LT.	CLASS III	5.7			3.0	6.1				X										X	X																
20+737.20 RT.	CLASS I	3.6			6.1	3.0				X									X																		
20+767.50 RT.	CLASS I	3.2			6.1	2.8														X							X										
20+776.60 RT.	CLASS I	3.6			2.8	3.0														X							X										
20+777.00 LT.	CLASS III	11.6			3.0	6.1				X										X	X																
20+801.00 RT.	CLASS I	3.6			6.1	3.0														X							X										
20+810.90 LT.	CLASS III	7.0			3.0	4.2				X										X	X																
20+829.30 RT.	CLASS I	3.6			6.1	3.0														X							X										
20+832.30 LT.	CLASS III	7.0			4.2	6.1					X	X	X	X	X																						
20+877.95 RT.	STREET APPROACH	6.1			7.6	7.6					X	X	X	X	X																						
20+887.60 LT.	CLASS I	6.2			3.0	6.1				X									X																		
20+927.80 RT.	CLASS I	3.6			6.1	3.0				X										X																	
20+958.20 LT.	CLASS III	10.2			3.0	6.1				X										X	X																
20+976.10 RT.	CLASS I	3.0			6.1	3.0														X							X										
20+986.10 RT.	CLASS III	3.2			3.6	3.0				X										X																	
20+986.40 LT.	CLASS III	8.8			3.0	3.0				X										X	X																
21+004.00 LT.	CLASS III	9.8			3.0	3.0				X										X																	
21+021.40 RT.	CLASS I	4.2			3.6	3.0														X																	
21+038.50 LT.	CLASS III	8.6			3.0	4.6														X																	
21+049.20 RT.	CLASS I	3.6			4.6	3.0														X							X										
21+058.40 LT.	CLASS I	7.0			3.0	1.9														X																	
21+069.30 LT.	CLASS I	7.0			1.9	6.1				X										X																	
21+095.30 LT.	CLASS I	9.6			2.5	2.5				X										X																	
21+100.70 RT.	STREET APPROACH	5.6			7.6	7.6					X	X	X	X	X																						
21+128.40 LT.	CLASS I	9.0			2.5	2.5				X										X																	
21+153.70 RT.	STREET APPROACH	10.6			7.6	7.6					X	X	X	X	X																						
	SUBTOTAL (m ²)									0.0	0.0	0.0	0.0	0.0	0.0	0.0	0.0	0.0	0.0	0.0	0.0	0.0	0.0	0.0	0.0	0.0	0.0	0.0									
	SUBTOTAL (Mg)									0.0	0.0	0.0	0.0	0.0	0.0	0.0	0.0	0.0	0.0	0.0	0.0	0.0	0.0	0.0	0.0	0.0	0.0	0.0									
	+5% (+20% FOR FILL)									0.0	0.0	0.0	0.0	0.0	0.0	0.0	0.0	0.0	0.0	0.0	0.0	0.0	0.0	0.0	0.0	0.0	0.0	0.0									
	SUBTOTAL									0.0	0.0	0.0	0.0	0.0	0.0	0.0	0.0	0.0	0.0	0.0	0.0	0.0	0.0	0.0	0.0	0.0	0.0	0.0									

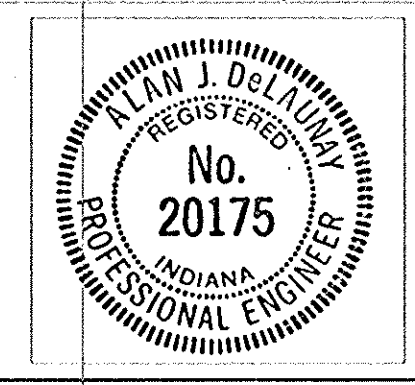


RECOMMENDED FOR APPROVAL: *Alan J. DeLaney* 12/14/99 DATE
 DESIGN ENGINEER
 DESIGNED: _____ DRAWN: _____
 CHECKED: _____ CHECKED: _____

INDIANA DEPARTMENT OF TRANSPORTATION
 APPROACH SUMMARY SHEET

DESIGNATION 8677420
 SHEETS 76 of 80
 PROJECT STP-120-2(007)

LOCATION (STATION)	DESCRIPTION (APPROACH TYPE OR CLASS)	WIDTH "W"	LENGTH "L"	DISTANCE BEYOND R/W LINE	RADII "R"		GRADE (LESS THAN 10% NOT SHOWN)		EXCAVATION	HMA FOR APPROACHES	HMA PAVEMENT (MAINLINE)					TYPE "O" COMPACTED AGGREGATE FOR BASE, No. 53			MATERIAL FOR			CEMENT CONCRETE PVM/T FOR DRIVES 150mm	CEMENT CONCRETE FOR SIDEWALKS	COMBINED CURB & GUTTER, CONCRETE	TYPE "O" COMPACTED AGGREGATE SURFACE No. 73	REMARKS		
					SURFACE		INTER.	BASE			TYPE "O" COMPACTED AGGREGATE FOR BASE, No. 53			SEAL COAT TYPE 2	PRIME COAT	TACK COAT												
					9.5 mm	19.0 mm	19.0 mm	25.0 mm			25.0 mm	100mm	150mm	200mm	m ²	Mg	Mg											
					90 kg/m ²	165 kg/m ²	75 kg/m ²	165 kg/m ²			180 kg/m ²	240 kg/m ²	Mg	Mg	Mg	150 mm.	100mm	100mm										
LT.	RT.	1	2	CUT	FILL	240 kg/m ²	90 kg/m ²	165 kg/m ²	75 kg/m ²	165 kg/m ²	180 kg/m ²	240 kg/m ²	Mg	Mg	Mg	m ²	Mg	Mg	m ²	m ²	m	100mm	Mg					
LINE "A"	DRIVES																											
22+462.60 RT.	CLASS I	2.4				3.0	3.0																					
22+475.60 LT.	CLASS I	3.0				3.0	3.0																					
22+477.50 RT.	CLASS I	2.4				3.0	3.0																					
22+492.40 RT.	CLASS I	2.7				3.0	3.0																			X		
22+494.60 LT.	CLASS I	2.4				3.0	6.1																					
22+523.00 LT.	CLASS I	2.6				3.0	3.6																					
22+529.60 RT.	ALLEY APPROACH	3.6				4.6	4.6					X	X	X	X	X												
22+534.60 LT.	ALLEY APPROACH	3.4				3.6	6.1					X	X	X	X	X												
22+583.00 RT.	STREET APPROACH	6.1				7.6	7.6					X	X	X	X	X												
22+583.00 LT.	STREET APPROACH	5.4				7.6	7.6					X	X	X	X	X												
22+628.20 LT.	CLASS I	2.7				3.0	3.0																					
22+645.30 LT.	CLASS I	2.5				3.0	3.0																					
22+662.70 RT.	CLASS I	3.0				4.6	3.0																					
22+666.60 LT.	CLASS I	2.4				3.0	3.0																					
22+678.90 RT.	CLASS I	3.0				3.0	3.0			X																		
22+707.20 RT.	CLASS I	2.6				3.0	3.0																					
22+726.30 RT.	CLASS I	4.0				4.6	3.0			X																		
22+726.80 LT.	CLASS I	3.0				3.0	4.6																					
22+754.30 RT.	CLASS I	4.0				4.6	3.0																					
22+776.90 RT.	STREET APPROACH	6.0				7.6	7.6					X	X	X	X	X												
22+776.90 LT.	STREET APPROACH	6.0				7.6	7.6					X	X	X	X	X												
22+810.97 RT.	CLASS I	2.5				3.0	3.0																					X
22+824.80 RT.	CLASS I	3.6				6.1	3.0																					
22+826.80 LT.	CLASS I	2.7				3.0	6.1																					
22+859.70 RT.	CLASS I	3.0				6.1	3.0																					X
22+863.20 LT.	CLASS I	3.0				3.0	6.1																					
22+890.70 LT.	CLASS I	3.0				3.0	6.1			X																		
22+892.80 RT.	CLASS I	4.3				5.4	3.0																					X
22+912.70 LT.	CLASS III	3.0				3.0	6.1			X																		
22+923.01 RT.	CLASS I	3.3				6.1	3.0																					X
22+939.20 RT.	CLASS I	3.0				3.6	3.0																					X
22+955.50 LT.	CLASS I	3.0				3.0	5.4																					
22+956.50 RT.	CLASS I	3.0				3.0	3.0																					
22+974.80 LT.	CLASS I	3.0				3.0	6.1																					
22+975.00 RT.	CLASS I	3.0				4.6	3.0																					X
22+995.80 LT.	CLASS I	3.0				3.0	3.0																					
23+010.40 RT.	CLASS I	5.7				3.0	3.0			X																		
SUBTOTAL (m ²)										0.0	0.0	0.0	0.0	0.0	0.0	0.0	0.0	0.0	0.0	0.0	0.0	0.0	0.0	0.0	0.0	0.0	0.0	0.0
SUBTOTAL (Mg)										0.0	0.0	0.0	0.0	0.0	0.0	0.0	0.0	0.0	0.0	0.0	0.0	0.0	0.0	0.0	0.0	0.0	0.0	0.0
+5% (+20% FOR FILL)																												
SUBTOTAL										0.0	0.0	0.0	0.0	0.0	0.0	0.0	0.0	0.0	0.0	0.0	0.0	0.0	0.0	0.0	0.0	0.0	0.0	0.0



RECOMMENDED FOR APPROVAL *Alan J. Delaney* 12/14/99
 DESIGN ENGINEER DATE
 DESIGNED: _____ DRAWN: _____
 CHECKED: _____ CHECKED: _____

INDIANA DEPARTMENT OF TRANSPORTATION
 APPROACH SUMMARY SHEET

DESIGNATION 8677420
 SHEETS 79 of 80
 PROJECT STP-120-2(007)

